

THIS DESIGN IS THE PROPERTY OF BROWNELL LTD.  
AND MAY NOT BE COPIED OR REPRODUCED  
WITHOUT THEIR PRIOR WRITTEN PERMISSION.

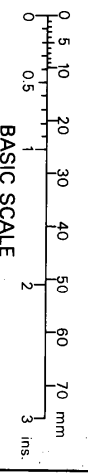
DRG. No. **BL/D4319 INST.**

USED ON

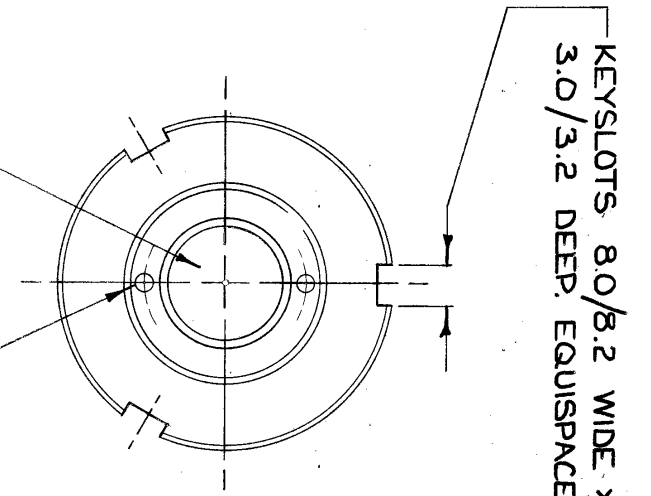
REMOVE ALL SHARP EDGES UNLESS SPECIFIED.

THIRD ANGLE PROJECTION

DO NOT SCALE - ASK.

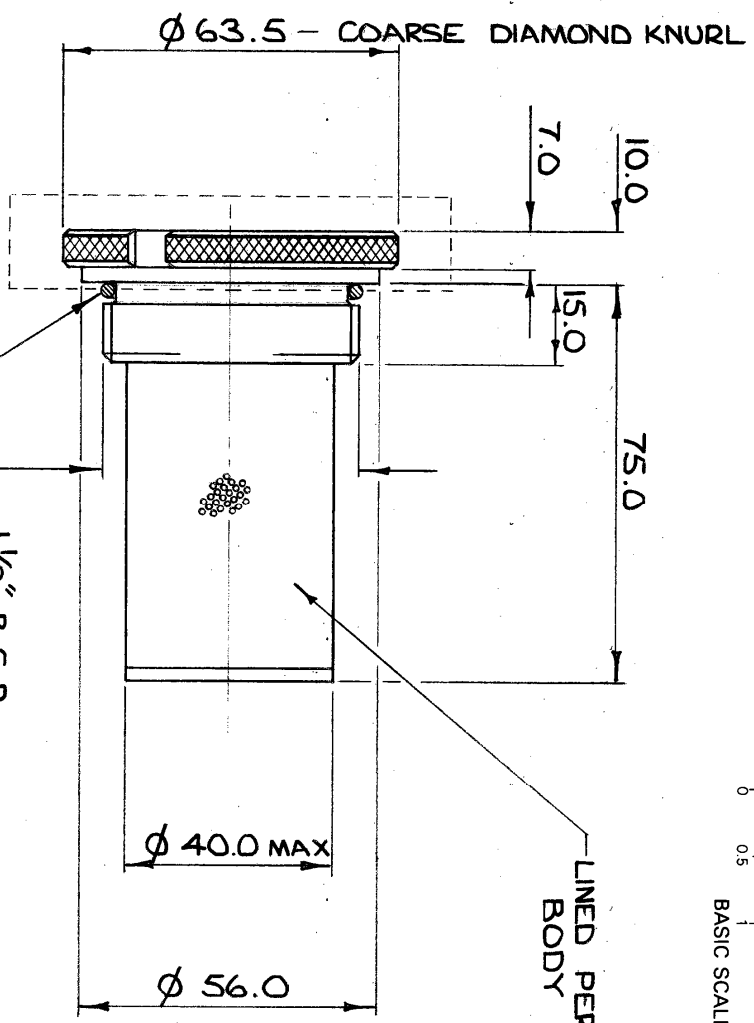


KEYSLOTS 8.0/8.2 WIDE X  
3.0/3.2 DEEP. EQUISPACED.



SIGHT WINDOW -  
INDICATING SILICA-GEL SHOWS A  
COLOUR CHANGE FROM BLUE TO PINK  
WHEN SATURATED.

PIN SPANNER HOLES



- NOTES.**
1. FILLED WITH INDICATING BEADED SILICA - GEL DESICCANT
  2. PACKAGED FOR A SHELF-LIFE OF 5 YEARS
  3. DESICCATOR TO WITHSTAND HEATING TO 150°C MAX. (REACTIVATION)
  4. SURFACE TEXTURE TO BE Ra 3.2µm MAX. WITHIN THE DOTTED LINES AND Ra 6.3µm MAX. ON OTHER SURFACES.

MATERIAL  
ALUM. ALLOY  
HE 30.TF BS1474

PROTECTIVE  
TREATMENT  
ANODISED

TOLERANCES  
UNLESS  
STATED

± 0.5

DIMNS. IN mm/m.m.  
SCALE (ORIGINAL) 1:1

BROWNELL LTD. LONDON, N.W.10.  
TITLE  
DESICCANT CONTAINER  
DEHUMIDIFIER

CUSTOMERS REF.				
CHANGE				
MOD. No.				
ISSUE	A			
DATE	7.10.85			
DRAWN				
CHECKED				

DRAWING No.  
**BL/D4319 INST.**