

DRG No  
BL/D2713/01-08 INST

REMOVE ALL SHARP EDGES UNLESS SPECIFIED

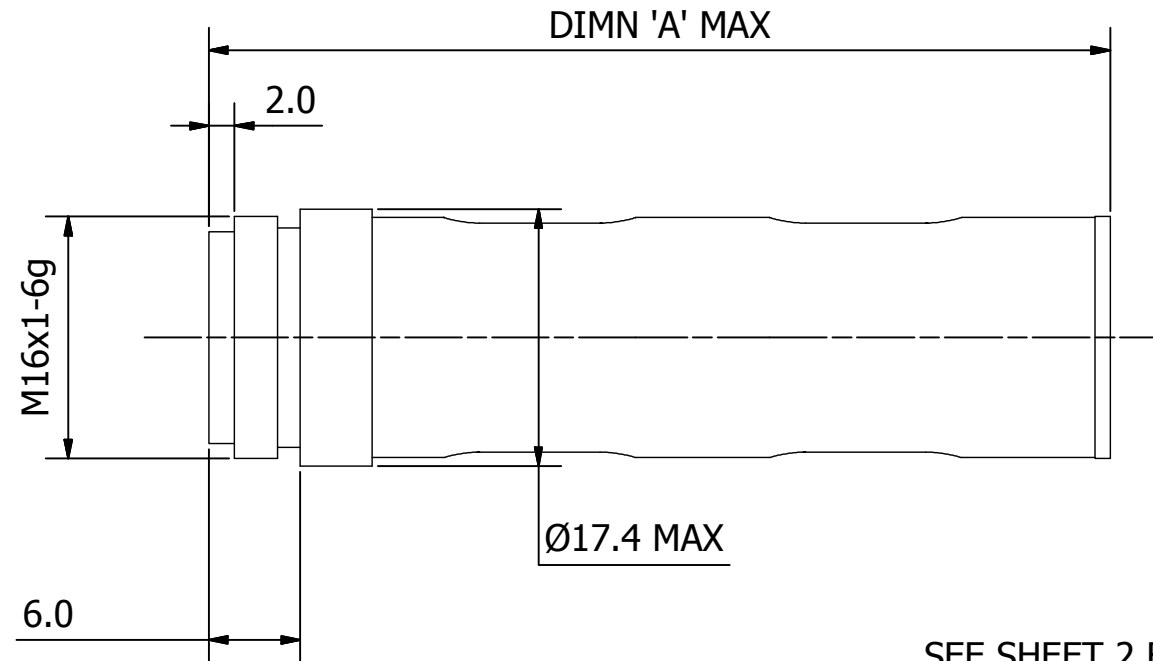
THIRD ANGLE PROJECTION

DO NOT SCALE - ASK

USED ON

FILLER PLUG

HUMIDITY INDICATOR  
SEE NOTE 2



SEE SHEET 2 FOR RCT13-RCT24

THIS DRAWING IS THE PROPERTY OF BROWNELL LTD. AND MAY NOT BE COPIED OR REPRODUCED WITHOUT THEIR PRIOR WRITTEN PERMISSION

DRG No	STYLE	NSN	DESICCANT	NOMINAL CONTENT	DIMN 'A' MAX	REFILL PT No	REFILL NSN
BL/D2713/01	RCT1MMS	4440-99-225-3230	MOLECULAR SIEVES	2 GRM	33.5	BL/D2807/05	4440-99-225-3254
BL/D2713/02	RCT2MMS	4440-99-225-3231	MOLECULAR SIEVES	4 GRM	60.0	BL/D2807/13	4440-99-225-3255
BL/D2713/03	RCT3MMS	4440-99-225-3232	MOLECULAR SIEVES	6 GRM	85.0	BL/D2807/14	4440-99-225-3256
BL/D2713/04	RCT4MMS	4440-99-225-3233	MOLECULAR SIEVES	8 GRM	110.0	BL/D2807/15	4440-99-225-3257
BL/D2713/05	RCT5MBSG	4440-99-225-3234	BEADED SILICA GEL	2 GRM	33.5	BL/D2807/03	4440-99-225-3266
BL/D2713/06	RCT6MBSG	4440-99-225-3235	BEADED SILICA GEL	4 GRM	60.0	BL/D2807/24	4440-99-225-3267
BL/D2713/07	RCT7MBSG	4440-99-225-3236	BEADED SILICA GEL	6 GRM	85.0	BL/D2807/25	4440-99-225-3268
BL/D2713/08	RCT8MBSG	4440-99-225-3237	BEADED SILICA GEL	8 GRM	110.0	BL/D2807/26	4440-99-225-3269

NOTES:

- ALL DESICCATORS IRRESPECTIVE OF THE TYPE OF DESICCANT USED ARE OVERPACKED IN METAL FOIL LAMINATE BAGS TO ENSURE THAT THERE IS NOT MORE THAN 2% INCREASE IN THE WEIGHT OF THE DESICCANT IN A 5 YEARS WHEN STORED IN TEMPERATE CONDITIONS.
- A COBALT BROMIDE INDICATOR DISC WHICH SHOWS A COLOUR CHANGE FROM BLUE TO PINK WHEN THE EQUILIBRIUM RH EXCEEDS 10% AT 25°C IS FITTED AS A GUIDE TO THE CONDITION OF THE DESICCANT WHEN THE DESICATOR IS FIRST REMOVED FROM ITS STORAGE CONTAINER.

CHANGE	MOD No	ISSUE	DATE
REMOVED MIN DIMENSIONS AND ADDED TOLERANCE	6985	15	02/03/18
	6574	14	27/03/14
ANODIC COLOUR CHANGED	5932	13	10/04/02
REDRAWN	3963	12	18/03/91

MATERIAL ALUMINIUM ALLOY	PROTECTIVE FINISH ANODISED BLACK	UNLESS OTHERWISE STATED	ANGULAR DIMS LINEAR DIMS ±0.5	<b>BROWNELL Ltd. LONDON NW10 7XF</b>		RED DOT=ORIGINAL BLACK DOT=COPY	DRAWN LDW	CHECKED RB
EST. WT.	-----	SURFACE ROUGHNESS	3.2 µm (N8)	TITLE DESICCANT CONTAINER DEHUMIDIFIER (TURBULAR) RECHARGEABLE SERIES		DRAWING NUMBER BL/D2713/01-08 INST		
		DIMENSIONS IN in/mm	mm			SHT 1 OF 2		
		SCALE (ORIGINAL)	-----					

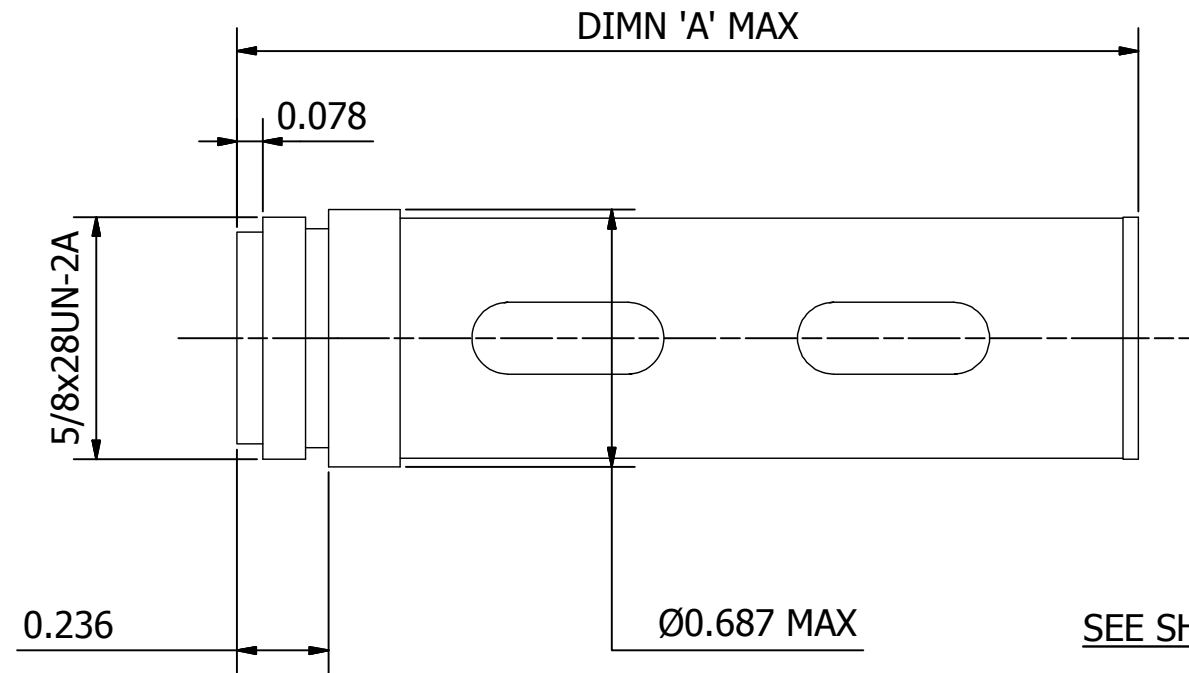
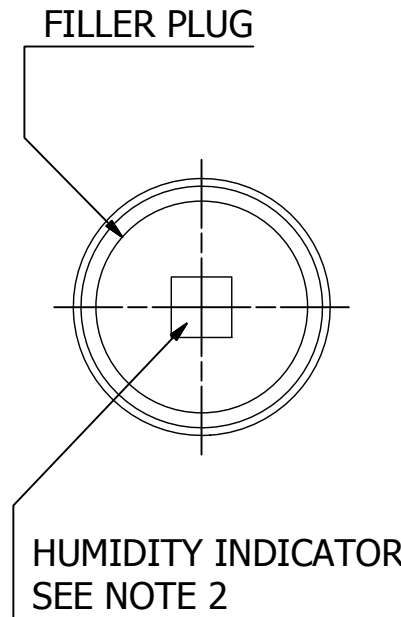
DRG No  
BL/D2713/13-24 INST

REMOVE ALL SHARP EDGES UNLESS SPECIFIED

THIRD ANGLE PROJECTION

DO NOT SCALE - ASK

USED ON



SEE SHEET 1 FOR RCT1-RCT8

THIS DRAWING IS THE PROPERTY OF BROWNELL LTD. AND MAY NOT BE COPIED OR REPRODUCED WITHOUT THEIR PRIOR WRITTEN PERMISSION

DRG No	STYLE	NSN	DESICCANT	NOMINAL CONTENT	DIMN 'A' MAX	REFILL PT No	REFILL NSNS
BL/D2713/13	RCT13	4440-99-758-9007	MOLECULAR SIEVES	2 GRM	1.320	BL/D2807/05	4440-99-225-3254
BL/D2713/14	RCT14	4440-99-758-9008	MOLECULAR SIEVES	4 GRM	2.362	BL/D2807/13	4440-99-225-3255
BL/D2713/15	RCT15	4440-99-758-9004	MOLECULAR SIEVES	6 GRM	3.346	BL/D2807/14	4440-99-225-3256
BL/D2713/16	RCT16	4440-99-758-9006	MOLECULAR SIEVES	8 GRM	4.330	BL/D2807/15	4440-99-225-3257
BL/D2713/17	RCT17	4440-99-800-5879	BEADED SILICA GEL	2 GRM	1.320	BL/D2807/03	4440-99-225-3266
BL/D2713/18	RCT18		BEADED SILICA GEL	4 GRM	2.362	BL/D2807/24	4440-99-225-3267
BL/D2713/19	RCT19	4440-99-761-4436	BEADED SILICA GEL	6 GRM	3.346	BL/D2807/25	4440-99-225-3268
BL/D2713/20	RCT20		BEADED SILICA GEL	8 GRM	4.330	BL/D2807/26	4440-99-225-3269
BL/D2713/21	RCT21		MOLECULAR SIEVES	15 GRM	5.250	BL/D2807/12	4440-99-225-3259
BL/D2713/22	RCT22		MOLECULAR SIEVES	18 GRM	6.250	BL/D2807/59	
BL/D2713/23	RCT23		BEADED SILICA GEL	15 GRM	5.250	BL/D2807/27	4440-99-225-3271
BL/D2713/24	RCT24		BEADED SILICA GEL	18 GRM	6.250	BL/D2807/57	

NOTES:

- ALL DESICCATORS IRRESPECTIVE OF THE TYPE OF DESICCANT USED ARE OVERPACKED IN METAL FOIL LAMINATE BAGS TO ENSURE THAT THERE IS NOT MORE THAN 2% INCREASE IN THE WEIGHT OF THE DESICCANT IN A 5 YEARS WHEN STORED IN TEMPERATE CONDITIONS.
- A COBALT BROMIDE INDICATOR DISC WHICH SHOWS A COLOUR CHANGE FROM BLUE TO PINK WHEN THE EQUILIBRIUM RH EXCEEDS 10% AT 25°C IS FITTED AS A GUIDE TO THE CONDITION OF THE DESICCANT WHEN THE DESICATOR IS FIRST REMOVED FROM ITS STORAGE CONTAINER.

CHANGE	MOD No	ISSUE	DATE
REMOVED MIN DIMENSIONS AND ADDED TOLERANCE	6985	15	02/03/18
	6574	14	27/03/14
ANODIC COLOUR CHANGED	5932	13	10/04/02
REDRAWN	3963	12	18/03/91

MATERIAL ALUMINIUM ALLOY	PROTECTIVE FINISH ANODISED BLACK	UNLESS OTHERWISE STATED	ANGULAR DIMS	LINEAR DIMS	<b>BROWNELL Ltd. LONDON NW10 7XF</b>	RED DOT=ORIGINAL BLACK DOT=COPY	DRAWN	CHECKED
			±0.5				LDW	RB
EST. WT.	-----	SURFACE ROUGHNESS	3.2 µm (N8)	TITLE	DESICCANT CONTAINER DEHUMIDIFIER (TURBULAR) RECHARGEABLE SERIES	DRAWING NUMBER	SHT 2 OF 2	
		DIMENSIONS IN in/mm	INS			BL/D2713/13-24 INST		
		SCALE (ORIGINAL)	-----					