

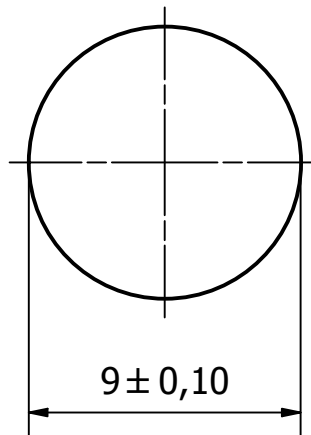
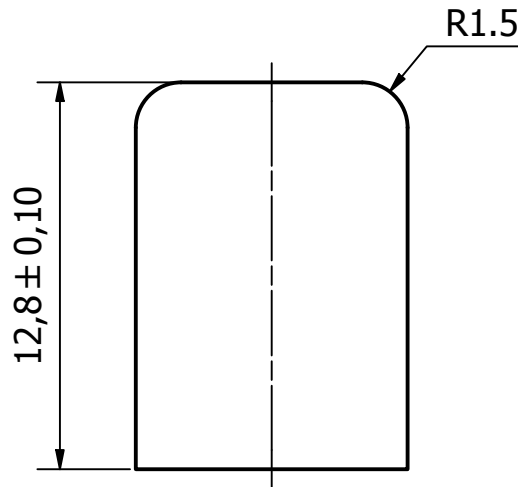
DRG No

BL/D11983

REMOVE ALL SHARP EDGES
UNLESS SPECIFIED

DO NOT SCALE - ASK


USED ON -----



NOTES:

- 1) ITEM IS INDIVIDUALLY PACKED WITH A 3 GRAM MS SACHET WITH AN 8% INDICATOR CARD.
- 2) 250 CAPSULES PER BOX, THEN OVERPACKED IN LARGER BOX.
- 3) ITEM HAS A 5 YEAR SHELF LIFE.

THIS DESIGN IS THE PROPERTY OF BROWNELL LTD, AND MAY NOT BE COPIED OR REPRODUCED WITHOUT THEIR PRIOR WRITTEN PERMISSION

MATERIAL MAB/PP BL/D11923/04	PROTECTIVE FINISH -----		6793	4	21/12/15
			6721	3	30/06/15
			6699	2	21/05/15
		ORIGINAL		1	13/05/15
EST. WT. ---	THIRD ANGLE PROJECTION	CHANGE	MOD No	ISSUE	DATE
DIMS IN mm	TOLERANCES UNLESS OTHERWISE STATED	SURFACE TEXTURE	ANGULAR DIMS	LINEAR DIMS	
SCALE 4:1		-----	-----	0. = ±0.5 0.0 = ±0.25 0.00 = ±0.05	
 RED DOT = ORIGINAL BLACK DOT = COPY	BROWNELL LTD LONDON NW10 7XF		DRAWN RB	CHECKED	
TITLE DESICCANT CAPSULE			DRAWING No. BL/D11983		