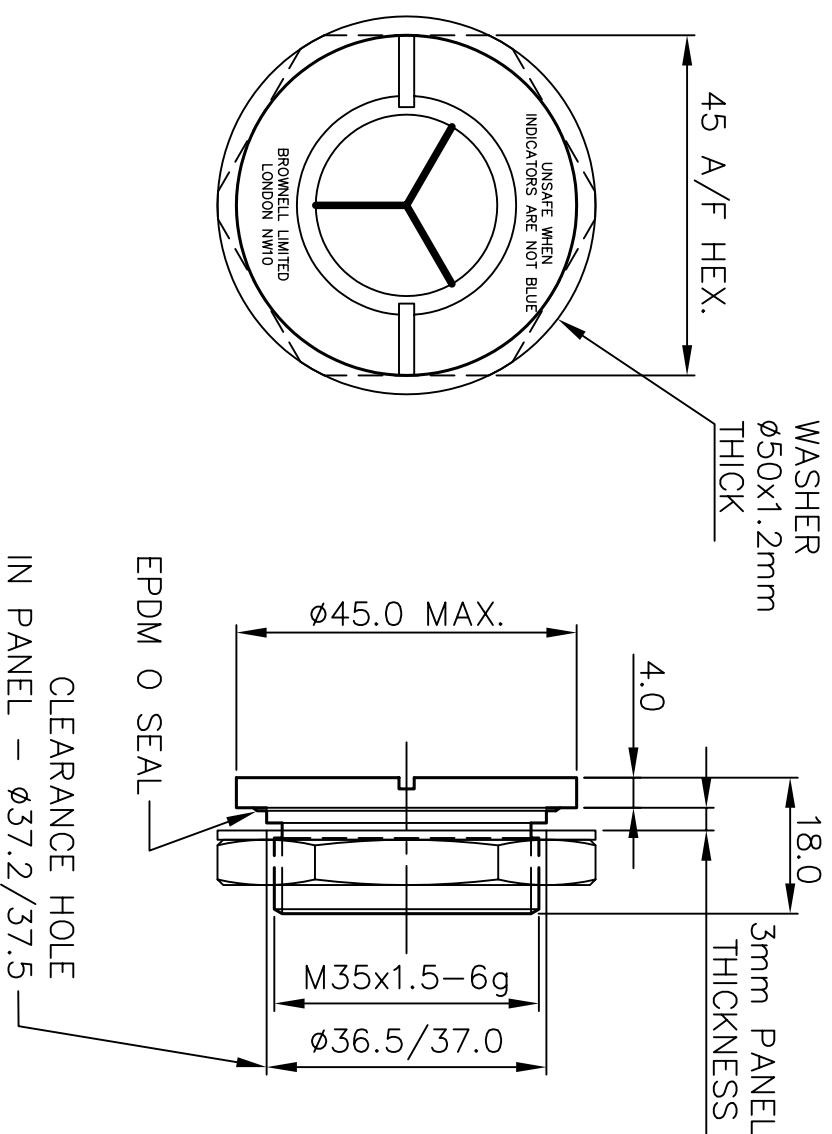
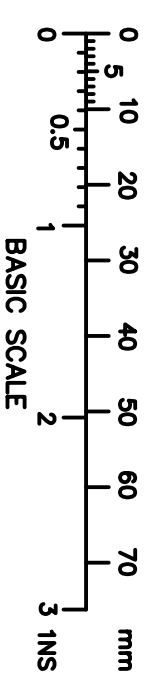


THIS DRAWING IS THE PROPERTY OF BROWNELL LTD, AND MAY NOT BE COPIED OR REPRODUCED WITHOUT THEIR PRIOR WRITTEN PERMISSION

DRG No
BL/D10038/01-02 INST

USED ON _____

THIRD ANGLE PROJECTION
REMOVE ALL SHARP EDGES UNLESS SPECIFIED
DO NOT SCALE - ASK



DRAWING No.	M35 WASHER	M35 LOCKNUT
BL/D10038/01	REQUIRED	REQUIRED
BL/D10038/02	NOT REQUIRED	NOT REQUIRED

NOTES :-

1. M35 THREAD, WASHER, & LOCKNUT ARE NATURAL FINISH FOR R.F. SCREENING CONTINUITY.
2. CONTAINER WALL THICKNESS : 3 - 8mm.
3. CONFORMS TO PRODUCT SPECIFICATION No. 6000
4. TORQUE 20-25 lbs/ins

MATERIAL ALUMINIUM ALLOY EN AW6082-T6	PROTECTIVE FINISH ANODISED & DYED BLACK SEE NOTE 1	TOLERANCES		TITLE
		±0.25	mm	
EST. WT. _____	SCALE (ORIGINAL)	DIMENSIONS IN	mm	DRAWING NUMBER BL/D10038/01-02 INST
		SURFACE ROUGHNESS	1:1	
BROWNELL Ltd. LONDON NW10 7XF		HUMIDITY INDICATOR		DRAWN PK
CHECKED Z		MOD No		ISSUE 1
DATE 11-12-06		ORIGINAL		42A/F
42A/F		6265		3
6300		6300		4
PENTHOUSE SEAL		TYPE /02 ADDED		04-03-08
45A/F WAS		42A/F		2
ORIGINAL		11-12-06		1