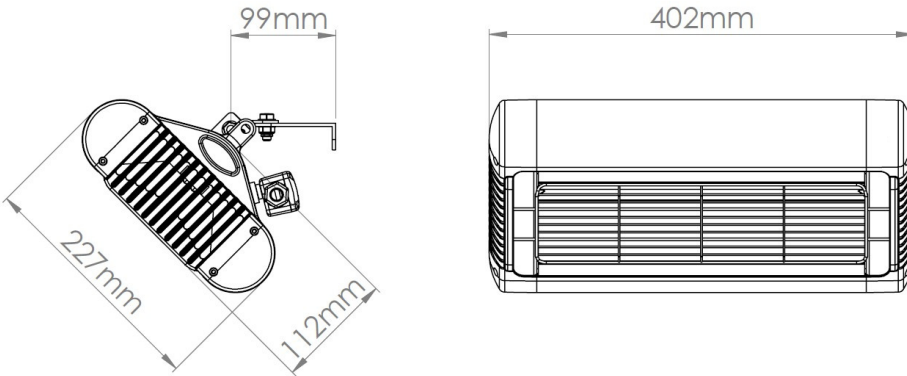



MONACO SINGLE



Dimensions:



Specification:

Voltage (Volts)	230
Power (Watts)	1500
Current (Amps)	6.5
Min. mounting height from floor (m)	2.0
Min. distance from ceiling (m)	0.3
Min. dist. from side wall (m)	1.0
Dimensions - W x H x D (mm)	402 x 227 x 323* <i>*inc. bracket, typ. mounting</i>
Weight (kg)	3.4
Ingress Protection	IPX5 / IP55 
Mounting	Wall or ceiling hung
Connection	3.0m of cord with a moulded UK or a EU Schuko plug
Package Contents	L-shaped wall mounting bracket and an instruction manual

Bracket Type:

Supplied as standard with a central swivel bracket and a L-shaped wall bracket.

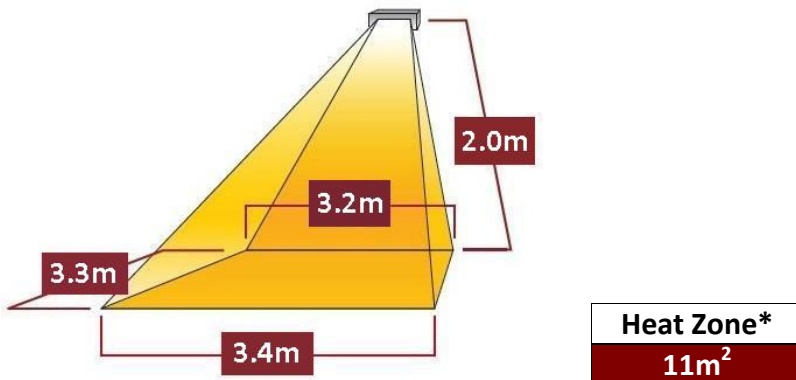


Gold Reflectors:

The Monaco is supplied with glare reducing gold reflectors as standard.



Heat Coverage Pattern:



Part Codes:

Colour	Part No.
Black	SOR 215IP xx - M BLK
Silver	SOR 215IP xx - M SLV
White	SOR 215IP xx - M WHT

xx = UK Cord with UK Plug
xx = EU Cord with EU Schuko Plug

Custom Colours:

Tansun can provide your heater in custom colours. Simply provide us with the RAL number for the colour of your choice (offered at an additional cost).

*Heat zone will vary based on mounting height and angle of heater (overhead mounted heat zones will be different than this guide). This is a footprint of the total area covered but should be assumed that the surface temperature rise will decrease the further away from the source that is measured. Please use this as a guideline only and contact Tansun for a more detailed guide.