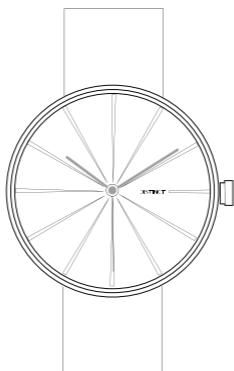


# DISTINCT



## **USER MANUAL**

PRODUCT:

**OBJ. 01**

## SPECIFICATIONS

OBJ.01 is made from the finest materials. A 316L stainless steel case houses the swiss quartz movement, while a sapphire crystal ensures great scratch-resistance.

### List of specifications:

- 316 Steel Case
- AR Coated Sapphire Crystal
- Ronda 583 - Quartz Movement
  - Battery: 362/SR721SW
  - 1.55 V
- 18mm wide calf leather strap
- 5ATM water resistance

### Water Resistant

Water-resistant up to 5ATM:

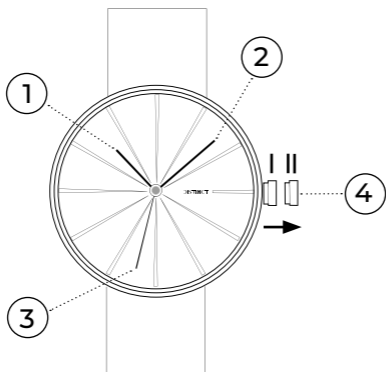
Rain, splashes, washing your hands and showering.

**Note:** The watch has been designed, manufactured, and tested for water-resistance to the depth stated in this manual. Please note that the case might be water resistant but it's highly recommended NOT to use leather or fabric wristbands in water.

Only clean the case with a soft cloth, moistened with water. Do not use chemicals, solvents or soap, as these can damage the seals and your watch.

## TIME ADJUSTMENT

Quartz Movement  
RONDA 583

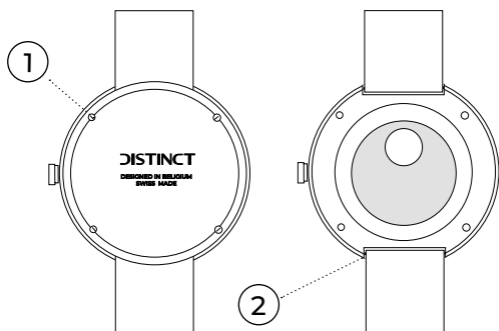


### Display & Functions

- ① **Hour Hand**
- ② **Minute Hand**
- ③ **Seconds Hand**
- ④ **Crown with 2 positions**

- I Neutral position (not pulled out).
- II Setting position for time adjustment (completely pulled out). Turn it clockwise or counterclockwise to set the desired time.

## STRAP REPLACEMENT



1

### **Screws case back**

Remove the 4 screws carefully with a screwdriver.

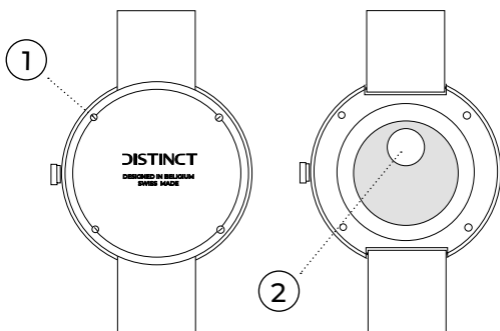
Our straps are fitted within the case. To replace the strap you need to remove the case back.

2

### **Spring bar removal with tool**

Position it in between the two circular grooves that run round the end of the spring bar. Keep it at 90 degrees, and applying a firm pressure, you want to push inwards towards the center of the spring bar. This will compress it and allow you to remove it.

## BATTERY REPLACEMENT



### 1 Screws case back

Remove the 4 screws carefully with a screwdriver.

To replace the battery, please remove the case back.

### 2 Battery Replacement

replace the battery in the designated place. Replace the battery with an identical one with the right specifications:

362/SR721SW

Note: We recommend that you have the battery replaced by a professional.

CE



This symbol indicates that this product should not be disposed with household waste. It has to be returned to a local authorized collection system. By following this procedure you will contribute to the protection of the environment and human health. The recycling of the materials will help to conserve natural resources.

\* valid in the EU member states and in any countries with corresponding legislation.