

BLUE PUCK T

Réf. IDF25241D



BENEFITS

- Pick-to-light LED
- Battery life : up to 19 years
- Very high range
- IP68 waterproof
- Integrated NFC chipset



TECHNICAL SPECIFICATIONS

OPERATING MODE

Frequency	2,4 GHz - Bluetooth Low Energy 4.0/4.2
Output power	Up to +4 dBm (configurable)
Range	Up to 500 meters open field (+4dBm)
Transmission period	Advertising period (0,1 sec to 10 sec – configurable in seconds)
Radio frame format	Identifier : 15 characters max (15 bytes)* Temperature : (in 0.01°C) (2 Bytes)* <i>*Refer to the frames specifications for more information</i>
Parameters and configuration	Interface/protocol: NFC (Type 2)
Connected mode	Datalogger transmission (record of saved sensor measures) LED indicator (ON/OFF) command Battery level command
Advertising mode	Periodic temperature data transmission
Sensors performance	Range: -40 to 85 °C Resolution: 0,0625 °C Accuracy: ±0.5°C maximum (0°C to 65 °C); ±1°C maximum (-40°C to 0°C & 65°C to 85°C) Calibration: Configurable 3-point calibration coefficients (Polynomial 2 nd degree)

BATTERY

Power supply	3 VDC - Internal lithium battery
Battery life	Up to 19 years* <i>* Refer to the battery life curves for more information</i>
Battery level	Low battery warning from 15%

CERTIFICATIONS

Europe	CE : EN 300 328/ EN 301 489 & EN 55032 / EN 62368-1
USA	FCC : FCC PART 15
Canada	ISED : RSS-247 / ICES-003
RoHs	Yes

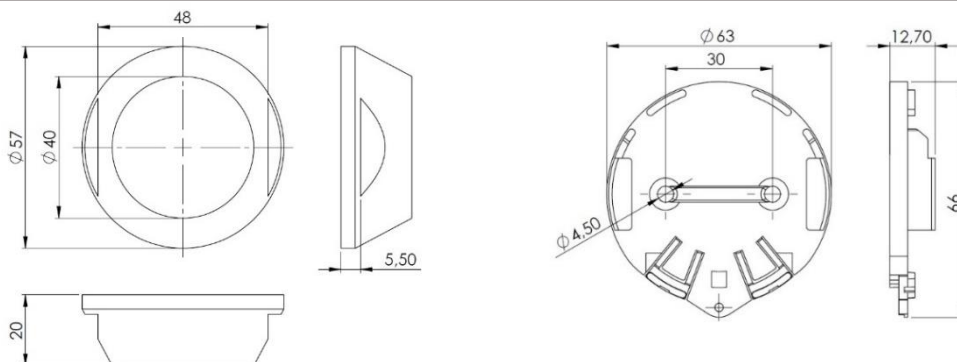
HOUSING

Dimensions	Ø 57 mm base - Thickness 20 mm
Weight	41g
Materials	DELIRIN (POM C) Compatible with food products (90/128/EEC)
Waterproofness	IP 68
Operating temperature	-40°C to +85°C

ACCESSORIES

Tag support	PUCK HOLDER STICKER (ACIOM118B) PUCK HOLDER (ACIOM117B) PUCK STICKER (ACIOM188) 3M PT1100 - Ø 63mm - h : 1,1mm
--------------------	---

MECANICAL DRAWINGS



Blue PUCK T

PUCK HOLDER