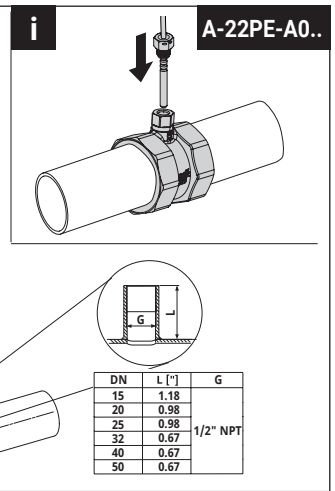
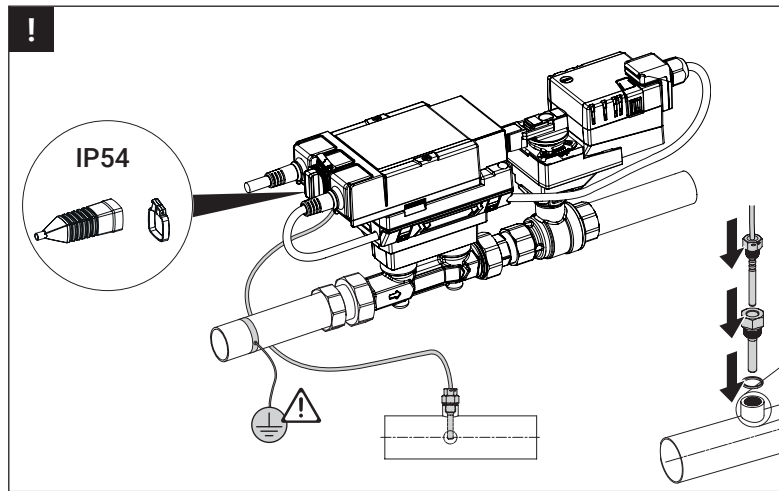
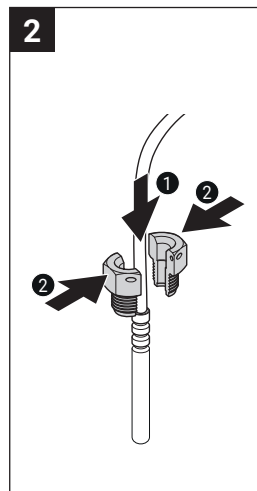
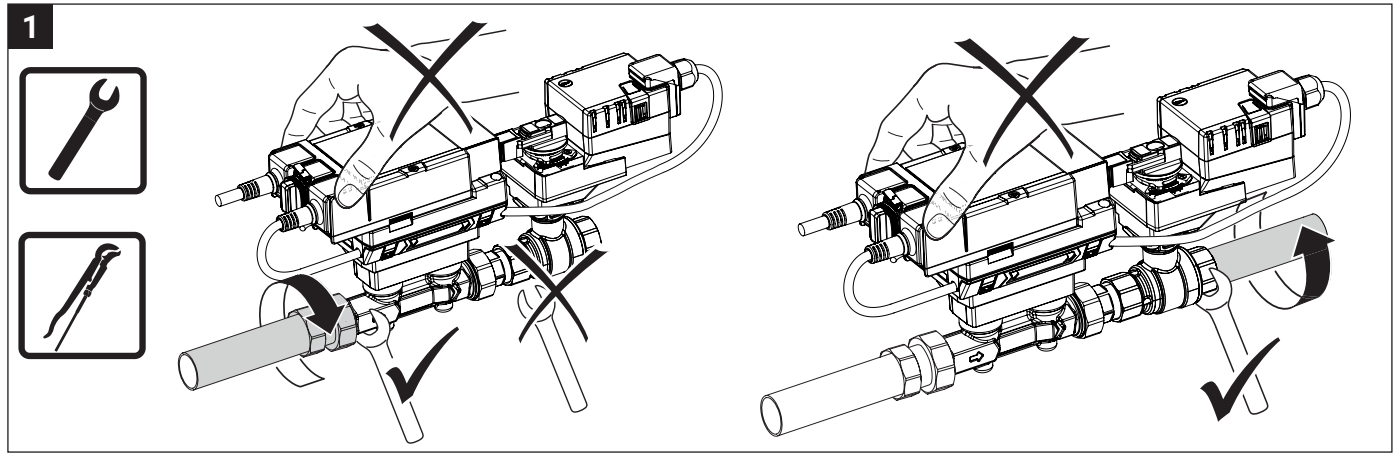
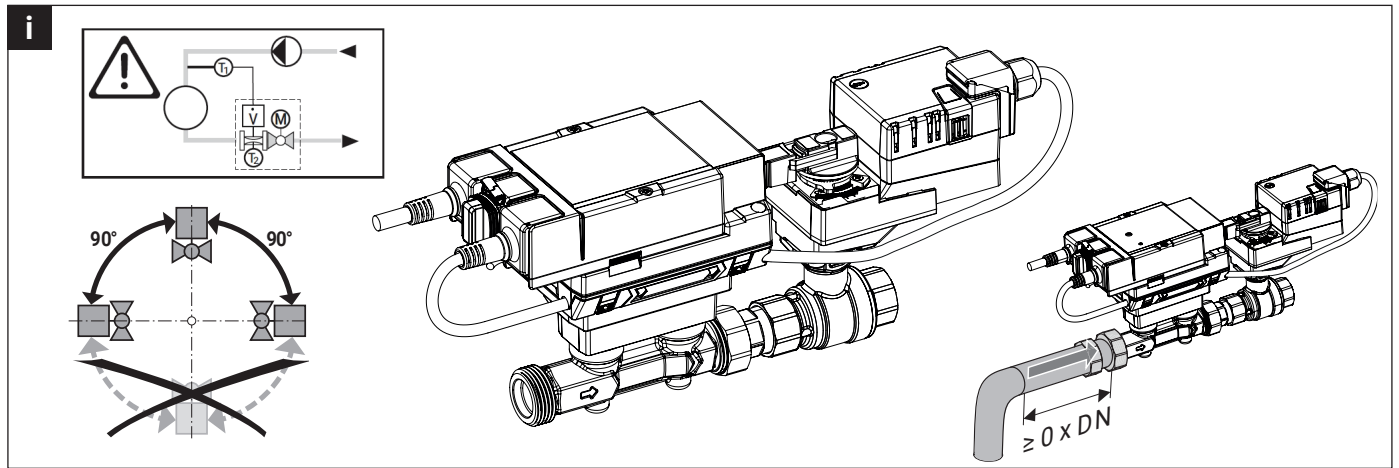
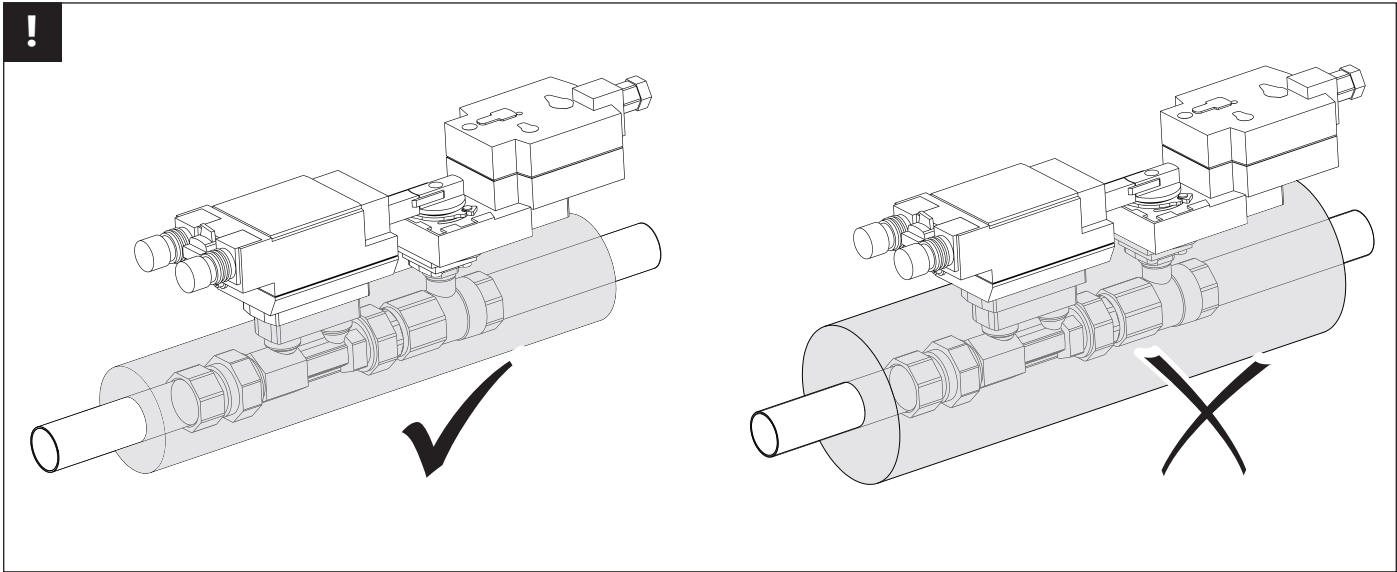


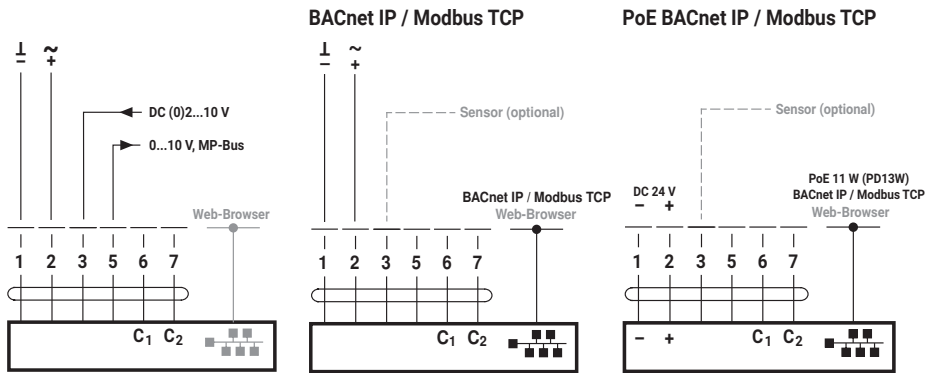
# Energy Valve



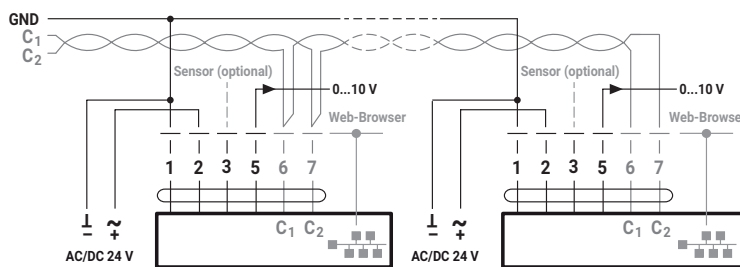
# Energy Valve



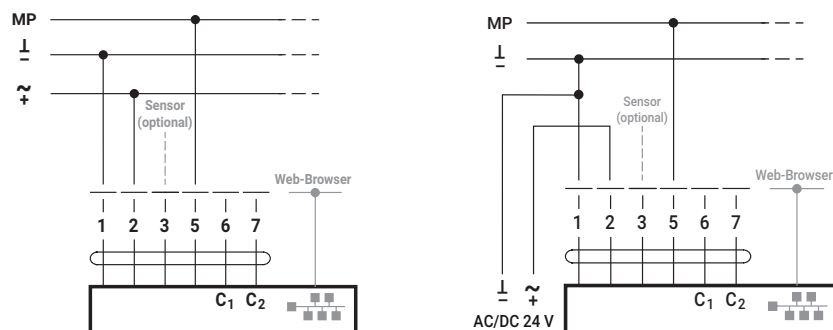
- 1 = GND
- 2 = AC/DC 24 V
- 3 = Sensor
- 5 = MP, 0...10 V
- 6 = C1 = D- = A
- 7 = C2 = D+ = B



## BACnet MSTP / Modbus RTU

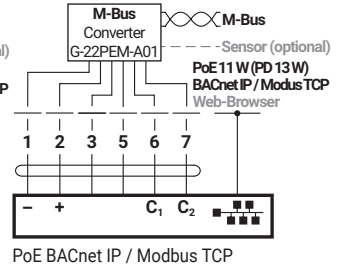
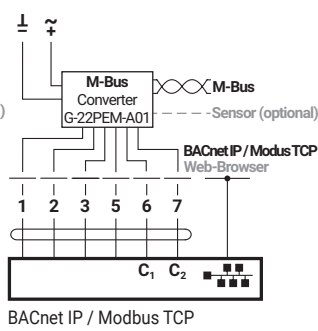
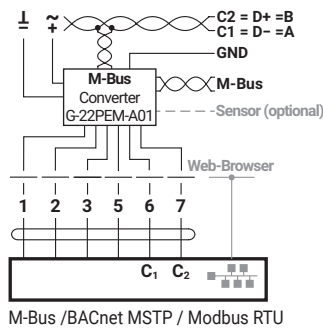
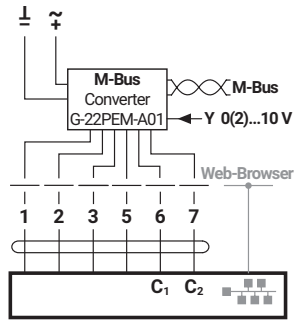


## MP-Bus

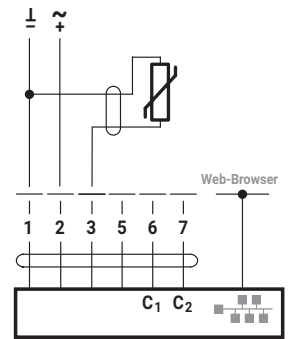
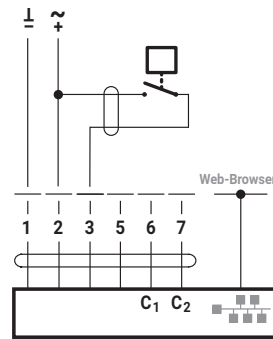
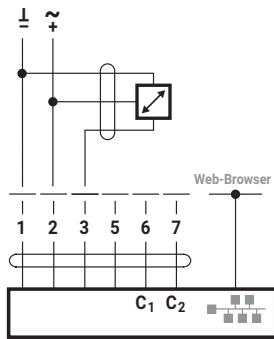


# Energy Valve

## M-Bus

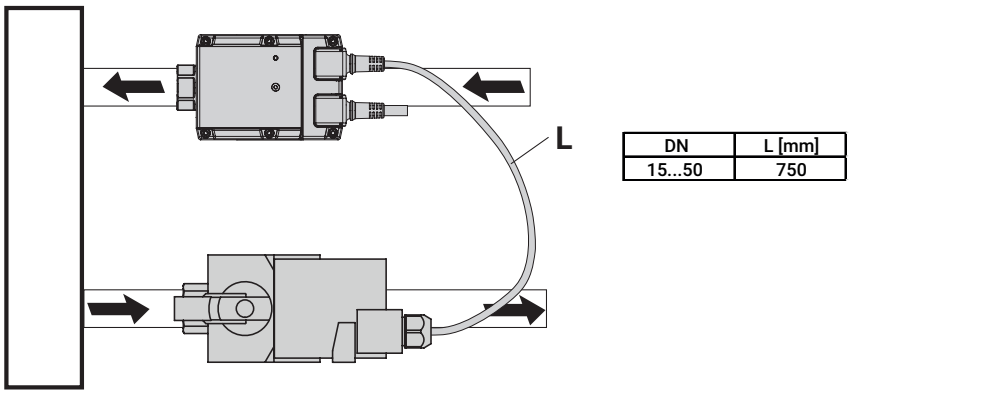


## Sensor (optional)



# Energy Valve

**i optional**



**i optional 22WDP..**

