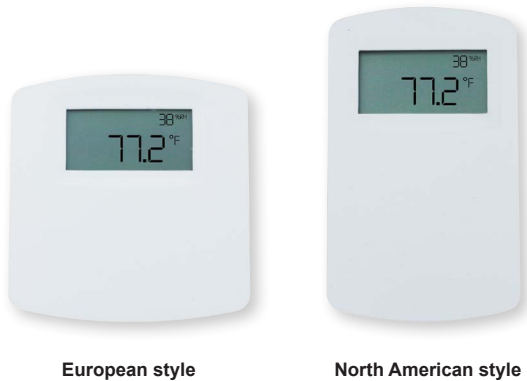




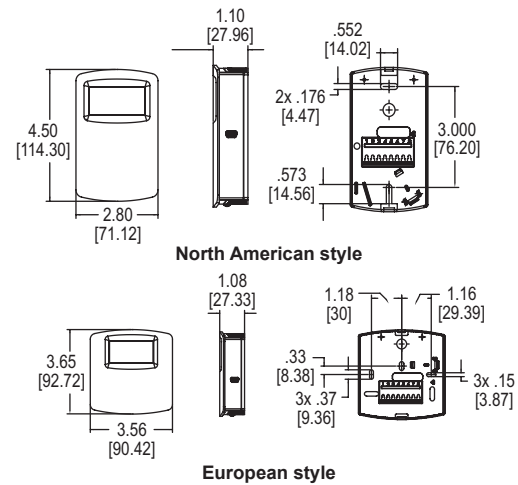
Series RHP-E/N Wall Mount Humidity/Temperature/Dew Point Transmitter

Specifications - Installation and Operating Instructions



European style

North American style



North American style

European style

The **Series RHP-E/N Wall Mount Humidity/Temperature/Dew Point Transmitter** is the most versatile room transmitter on the market. The stylish housing is well vented to provide air flow across the sensor to improve measurement accuracy. An optional LCD display can be integral to the transmitter or a remote display can be ordered for building balancing or LEED® validation. The LCD display indicates the ambient temperature along with the humidity or dew point. The transmitter has internal dip switches to select the temperature engineering units and whether the transmitter outputs humidity or dew point.

The humidity and the dew point are measured using a capacitive polymer sensor that completely recovers from 100% saturation. The humidity and dew point can have either a current or voltage output, while the optional temperature output can be a current, voltage, RTD or thermistor. For models with current or voltage for the temperature output, the temperature range is field selectable.

INSTALLATION

CAUTION Disconnect power supply before installation or maintenance. Failure to do so may result in equipment damage.

Make sure all connections are in accordance with the job wiring diagram and in accordance with national and local electrical codes. Use copper conductors only.

NOTICE Use electrostatic discharge precautions (e.g., use of wrist straps) during installation and maintenance to prevent equipment damage. The sensor is particularly sensitive to electric shock.

NOTICE Avoid locations where severe shock or vibration, excessive moisture, or corrosive fumes are present.

NOTICE Do not exceed ratings of this device; permanent damage not covered by warranty may result. The 4-20 mA models are not designed for AC voltage operation.

SPECIFICATIONS

Relative Humidity Range: 0-100% RH.

Temperature Range: -40 to 140°F (-40 to 60°C) for thermistor and RTD sensors. -20 to 140°F (-28.9 to 60°C) for solid state band gap temperature sensors.

Dew Point Temperature Range: -20 to 140°F (-28.9 to 60°C); 0 to 100°F (-17.8 to 37.8°C); 40 to 90°F (4.4 to 32.3°C); -4 to 140°F (-20 to 60°C) field-selectable ranges.

Accuracy: RH: Model RHP-2XXX ±2% 10-90% RH @ 25°C; Model RHP-3XXX ±3% 20-80% RH @ 25°C; Model RHP-5XXX ±5% 20-80% RH @ 25°C; Thermistor temperature sensor: ±0.36°F @ 77°F (±0.2°C @ 25°C); RTD temperature sensor: DIN Class B; ±0.54°F @ 32°F (±0.3°C @ 0°C); Solid state band gap temperature sensor: ±0.9°F @ 77°F (±0.5°C @ 25°C).

Hysteresis: ±1%.

Repeatability: ±0.1% typical.

Temperature Limits: Operating: -40 to 140°F (-40 to 60°C); Storage: -40 to 176°F (-40 to 80°C).

Compensated Temperature Range: -4 to 140°F (-20 to 60°C).

4-20 mA Loop Powered Outputs: Power requirements: 10-35 VDC; Output signal: 4-20 mA, 2 channels for humidity/solid state temperature sensor models (loop powered on RH). Switch selectable RH/dew point. Switch selectable normal or reverse output.

0 to 5/10 V Outputs: Power requirements: 15-35 VDC or 15-29 VAC; Output load: 5 mA max., 2 channels for humidity/solid state temperature sensor models. Switch selectable 0-10 V/2-10 V or 0-5 V/1-5 V output. Switch selectable RH/dew point. Switch selectable normal or reverse output.

Solid State Band Gap Temperature Sensor Output Ranges: Switch selectable, -20 to 140°F (-28.9 to 60°C); 0 to 100°F (-17.8 to 37.8°C); 40 to 90°F (4.4 to 32.3°C); -4 to 140°F (-20 to 60°C).

Response Time: 15 s.

Electrical Connections: Screw terminal block.

Drift: <1% RH/year.

RH Sensor: Capacitance polymer.

Enclosure Material: White polycarbonate (European); Warm gray polycarbonate (North American).

Display: Optional LCD; Switch selectable %RH or dew point, °F/°C.

Display Resolution: RH: 1%; Temperature: 0.1°F (0.1°C); Dew Point: 1°F (1°C).

Weight: 4.4 oz (125 g).

Agency Approvals: CE.

LEED® is a registered trademark of the U.S. Green Building Council.

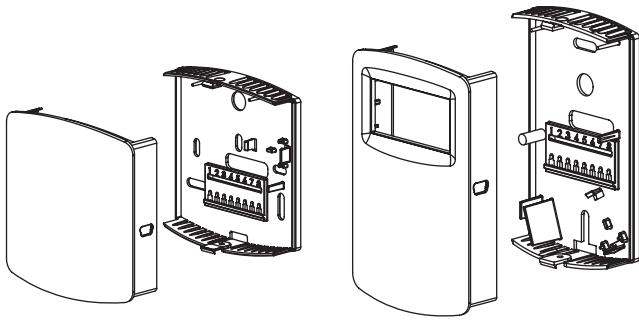


Figure 1

1. Push tab on top and bottom of the back plate and lift the cover from the back plate. (See Figure 1).
2. Select the mounting location, away from diffusers, lights, or any external influences.
3. Mount transmitter on a vertical surface to a standard electrical box using the two #6 M2C type screws provided.
4. Pull wires through the sub base hole and make the necessary connections.
5. Reattach cover to back plate.

Wiring

Use maximum 18 AWG wire for wiring to terminals. Refer to Figures 2 and 3 for wiring information.

Models with Selectable Current or Voltage Outputs (RHP-X(E or N)44)

These models may be wired for current or voltage output. Note that both outputs must be wired either for current or voltage. It is not possible to wire one output for current, and the other for voltage.

Prior to wiring, verify that the Current/Voltage select switch shown in Figure 4 is set to current or voltage as desired. Refer to "Setting the Current/Voltage Select Switch".

Current Output Selected: Wire as shown in Figure 2. Current outputs must be powered with 10-35 VDC. If the RH output is not required, wire the negative terminal of the power supply to terminal 1 of the transmitter. All units come with 4-20 mA RH and Temperature outputs. If the 4-20 mA temperature output is not used it maybe left disconnected. If the unit has a passive temperature sensor, wire to terminals 7 and 8.

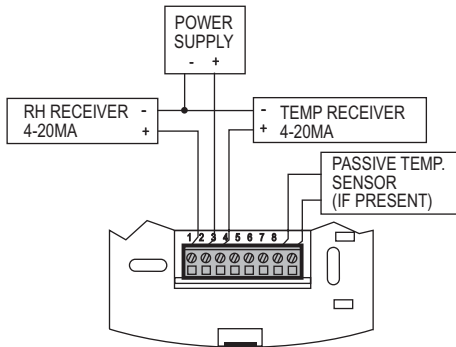


Figure 2

Voltage Output Selected: Voltage outputs may be powered with 15-35 VDC or 15-29 VAC. Note polarity when using DC power. Wire the RH voltage output as shown in Figure 3. If the unit has a voltage temperature output, wire the temperature receiver between terminal 6 and the negative terminal of the power supply. All units come with RH and Temperature voltage outputs. If the temperature or RH voltage output is not used it may be left disconnected. If the unit has a passive temperature sensor, wire to terminals 7 and 8.

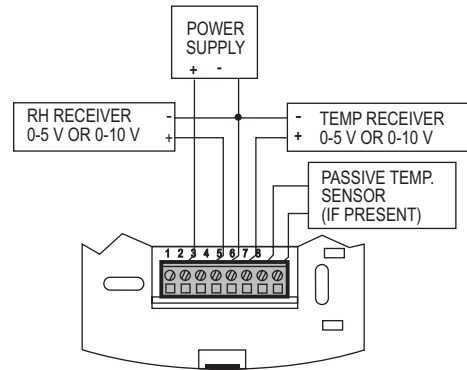


Figure 3

Setting the Current/Voltage Select Switch

Remove the cover of the unit as shown in Figure 1. The Current/Voltage select switch is located on the back of the circuit board. Set the switch "IOUT" for current, "VOUT" for voltage.

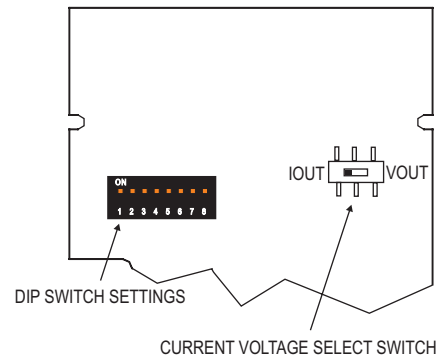


Figure 4

DIP SWITCH SETTINGS

To access the DIP SWITCH, remove the cover of the unit as shown in Figure 1. The DIP SWITCH is located on the back of the circuit board as shown in Figure 4.

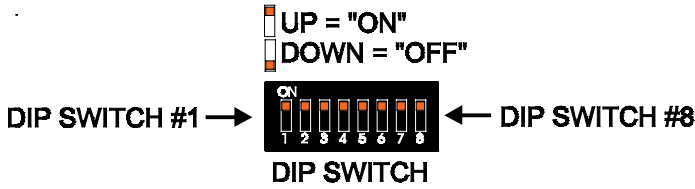


Figure 5

ALL DIP SWITCHES are factory set to “ON”

5 V/10 V Output Select (Applies only to Voltage Output units)

DIP SWITCH#1 OFF: Output = 0-5 V
 DIP SWITCH#1 ON: Output = 0-10 V

Zero Suppression (Applies only to Voltage Output Units)

DIP SWITCH#2 OFF : Output range = 1-5 V or 2-10 V, depending on output range
 DIP SWITCH#2 ON : Output range = 0-5 V or 0-10 V, depending on output range

Upper Display reads RH or DEW POINT

DIP SWITCH#3 OFF: Upper Display reads Dew Point
 DIP SWITCH#3 ON: Upper Display reads RH

RH OUTPUT, Normal or Invert

DIP SWITCH#4 OFF: Output is inverted
 DIP SWITCH#4 ON: Output is Normal

When set to normal output, the output increases as the RH increases. When set to inverted output, the output decreases as the RH increases.

Example: Normal 4-20 mA output, 0% RH = 4 mA, 100% RH = 20 mA
 Inverted 4-20 mA output, 0% RH = 20 mA, 100% RH = 4 mA

TEMP OUTPUT, Normal or Invert

DIP SWITCH#5 OFF: Output is inverted
 DIP SWITCH#5 ON: Output is Normal

When set to normal output, the output increases as the temperature increases. When set to inverted output, the output decreases as the temperature increases.

Example: Normal 4-20 mA output, -20°F = 4 mA, +140°F = 20 mA
 Inverted 4-20 mA output, -20°F = 20 mA, +140°F = 4 mA

°F/°C Select

DIP SWITCH#6 OFF: °C
 DIP SWITCH#6 ON: °F

TEMPERATURE OUTPUT RANGE SELECT		
Range	Dip Switch 7	Dip Switch 8
-4 to +140°F (-20 to +60°C)	OFF	OFF
+40 to +90°F (+4.4 to +32.2°C)	OFF	ON
0 to +100°F (-17.8 to +37.8°C)	ON	OFF
-20 to +140°F (-28.9 to +60°C)	ON	ON

The temperature range applies only to the current or voltage output. If the unit has a display, it will display temperature from -40 to +140°F (-40 to +60°C). If the unit is set to read DEW POINT, the output range of the DEW POINT will be the same as the Temperature Output Range.

Note: The display will indicate temperature even if the unit does not have a temperature output.

TROUBLESHOOTING

Verify that the unit is mounted in the correct position.

4-20 mA Models:

Verify appropriate supply voltage. The transmitter requires a minimum of 10 and a maximum of 35 VDC at its connection for proper operation. Choose a power supply with a voltage and current rating which meets this requirement under all operating conditions. If the power supply is unregulated, make sure voltage remains within these limits under all power line conditions. Ripple on the supply should not exceed 100 mV.

Loop Resistance – The maximum allowable loop resistance depends on the power supply voltage. Maximum loop voltage drop must not reduce the transmitter voltage below the 10 VDC minimum. Maximum loop resistance can be calculated with the following equation. Vps is the power supply voltage.

$$R_{max} = \frac{V_{ps} - 10.0}{20 \text{ mA}}$$

Some receivers, particularly loop powered indicators, may maintain a fixed loop voltage to power the device. This voltage drop must also be subtracted from the power supply voltage when calculating the voltage margin for the transmitter. The following equation takes this into account. Vrec is the receiver fixed voltage.

$$R_{max} = \frac{V_{ps} - 10.0 - V_{rec}}{20 \text{ mA}}$$

0-10 V Output Models:

Verify appropriate supply voltage. The 0-10 V output models require a DC supply of 15-35 V or an AC supply of 15-29 V for proper operation maximum. Maximum output load is 5 mA.

Remote Display

For models that are ordered without an integral LCD display, remote display Model A-449 or A-449A can be used to display the temperature and humidity or dew point. The mini USB plug of the remote display plugs into the receptor on the side of the housing. After a short warm up time, the display will begin to show the current temperature and humidity or dew point measurements. Humidity or dew point can be selected via the internal dip switches as described earlier in this manual.

MAINTENANCE

Upon final installation of the Series RHP-E/N Temperature/Humidity/Dew Point Transmitter and the companion receiver, no routine maintenance is required. A periodic check of the system calibration is recommended. Except for sensor replacement, the Series RHP-E/N is not field serviceable and should be returned if repair is needed (field repair should not be attempted and may void warranty). Be sure to include a brief description of the problem plus any relevant application notes. Contact customer service to receive a return goods authorization number before shipping.



This symbol indicates waste electrical products should not be disposed of with household waste. Please recycle where facilities exist. Check with your Local Authority or retailer for recycling advice.

MODEL CHART							
Example	RHP	2	N	4	A	LCD	RHP-2N4A-LCD
Series	RHP						RH/passive temperature sensor transmitter
Accuracy		2 3 5					2% accuracy 3% accuracy 5% accuracy
Housing Type			N E				North American wall mount European wall mount
RH Output				4			0-10 V/0-5 V/4-20 mA
Temperature Sensor/ Output					A B C D E F 0 4		10K @ 25°C thermistor Dwyer curve A 10K @ 25°C thermistor Dwyer curve B 3K @ 25°C thermistor Dwyer curve C 100Ω RTD DIN 385 1KΩ RTD DIN 385 20KC 25°C thermistor curve F NONE 0-10 V/0-5 V/4-20 mA solid state sensor
Option						Blank LCD FC NIST	No options LCD display Factory test report NIST calibration test certificate

RESISTANCE VS TEMPERATURE TABLE							
Temperature		Resistance Curves (in Ohms)					
°C	°F	A	B	C	D	E	F
-55	-67.0	607800.00	963849.00	289154.70	78.32	783.2	2394000.00
-50	-58.0	441200.00	670166.00	201049.80	80.31	803.1	1646200.00
-45	-49.0	323600.00	471985.00	141595.50	82.29	822.9	1145800.00
-40	-40.0	239700.00	336479.00	100943.70	84.27	842.7	806800.00
-35	-31.0	179200.00	242681.00	72804.30	86.25	862.5	574400.00
-30	-22.0	135200.00	176974.00	53092.20	88.22	882.2	413400.00
-25	-13.0	102900.00	130421.00	39126.30	90.19	901.9	300400.00
-20	-4.0	78910.00	97081.00	29124.30	92.16	921.6	220600.00
-15	5.0	61020.00	72957.00	21887.10	94.12	941.2	163500.00
-10	14.0	47540.00	55329.00	16598.70	96.09	960.9	122280.00
-5	23.0	37310.00	42327.00	12698.10	98.04	980.4	92240.00
0	32.0	29490.00	32650.00	9795.00	100.00	1000.0	70160.00
5	41.0	23460.00	25392.00	7617.60	101.95	1019.5	57380.00
10	50.0	18780.00	19901.00	5970.30	103.90	1039.0	41560.00
15	59.0	15130.00	15712.00	4713.60	105.85	1058.5	32340.00
20	68.0	12260.00	12493.00	3747.90	107.79	1077.9	25360.00
25	77.0	10000.00	10000.00	3000.00	109.74	1097.4	20000.00
30	86.0	8194.00	8057.00	2417.10	111.67	1116.7	15892.00
35	95.0	6752.00	6531.00	1959.30	113.61	1136.1	12704.00
40	104.0	5592.00	5326.00	1597.80	115.54	1155.4	10216.00
45	113.0	4655.00	4368.00	1310.40	117.47	1174.7	8264.00
50	122.0	3893.00	3602.00	1080.60	119.40	1194.0	6722.00
55	131.0	3271.00	2986.00	895.80	121.32	1213.2	5498.00
60	140.0	2760.00	2488.00	746.40	123.24	1232.4	4520.00
65	149.0	2339.00	2083.00	624.90	125.16	1251.6	3734.00
70	158.0	1990.00	1752.00	525.60	127.08	1270.8	3100.00
75	167.0	1700.00	1480.00	444.00	128.99	1289.9	2586.00
80	176.0	1458.00	1255.00	376.50	130.90	1309.0	2166.00
85	185.0	1255.00	1070.00	321.00	132.80	1328.0	1822.60
90	194.0	1084.00	915.50	274.65	134.71	1347.1	1540.00
95	203.0	939.30	786.60	235.98	136.61	1366.1	1306.40
100	212.0	816.80	678.60	203.58	138.51	1385.1	1112.60
105	221.0	712.60	587.60	176.28	140.40	1404.0	951.00
110	230.0	623.60	510.60	153.18	142.29	1422.9	815.80
115	239.0	547.30	445.30	133.59	144.18	1441.8	702.20
120	248.0	481.80	389.60	116.88	146.07	1460.7	606.40
125	257.0	425.30	341.90	102.57	147.95	1479.5	525.60
130	266.0	376.40	301.00	90.30	149.83	1498.3	N/A
135	275.0	334.00	265.80	79.74	151.71	1517.1	N/A
140	284.0	297.20	235.30	70.59	153.58	1535.8	N/A
145	293.0	265.10	208.90	62.67	155.46	1554.6	N/A
150	302.0	237.00	186.10	55.83	157.33	1573.3	N/A