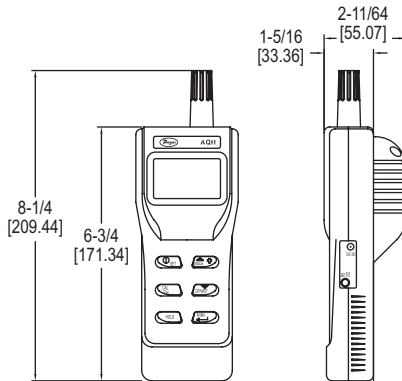


# INDOOR AIR QUALITY METER

Measures CO<sub>2</sub>, Temperature and Humidity



The **Model AQH-20 Handheld Indoor Air Quality Meter** reduces the number of instruments a contractor has to carry by measuring carbon dioxide concentration, air temperature, and humidity percentage in one device. A large backlit LCD shows all three parameters simultaneously. This product offers user selectable engineering units, maximum/minimum/average readings, a hold function, and an audible alarm.

## FEATURES/BENEFITS

- All-in-one unit for carbon dioxide, temperature, and humidity
- Large backlit LCD for visibility in dark areas
- User configurable alarms for audible indication of hazardous conditions

## APPLICATIONS

- Building commissioning
- Green house monitoring

MODEL CHART			
Model	CO <sub>2</sub> Range	Humidity Range	Temperature Range
AQH-20	0 to 2000 ppm	0.0 to 99.9%	14 to 140°F (-10 to 60°C)

## SPECIFICATIONS

**Ranges:** CO<sub>2</sub>: 0 to 2000 ppm;  
 Temperature: 14 to 140°F (-10 to 60°C);  
 Relative Humidity: 0.0 to 99.9% RH.  
**Accuracy:** CO<sub>2</sub>: ±30 ppm ±5% of reading; Temperature: ±0.9°F (±0.6°C);  
 Humidity: ±3% RH (10 to 90%), ±5% (0.0 to 9.9% or 90 to 99.9%).  
**Resolution:** CO<sub>2</sub>: 1 ppm; Temperature: 0.1°F (0.1°C); Humidity: 0.1% RH.  
**Response Time:** CO<sub>2</sub>: < 30 s;  
 Temperature: < 2 minutes; Humidity: < 10 minutes.

**Display:** 4 digits for temperature/CO<sub>2</sub> and 3 digits for humidity.  
**CO<sub>2</sub> Sensor:** Non-dispersive infrared.  
**Temperature Limits:** 32 to 122°F (0 to 50°C).  
**Humidity Limits (Non-Condensing):** 0 to 95% RH.  
**Power Requirements:** (4) 1.5 V AA alkaline batteries, included, user replaceable.  
**Warm Up Time:** 30 s.  
**Weight:** 6.76 oz (200 g).

## ACCESSORIES

Model	Description
TH-CAL	33% and 75% salt bath calibration standards