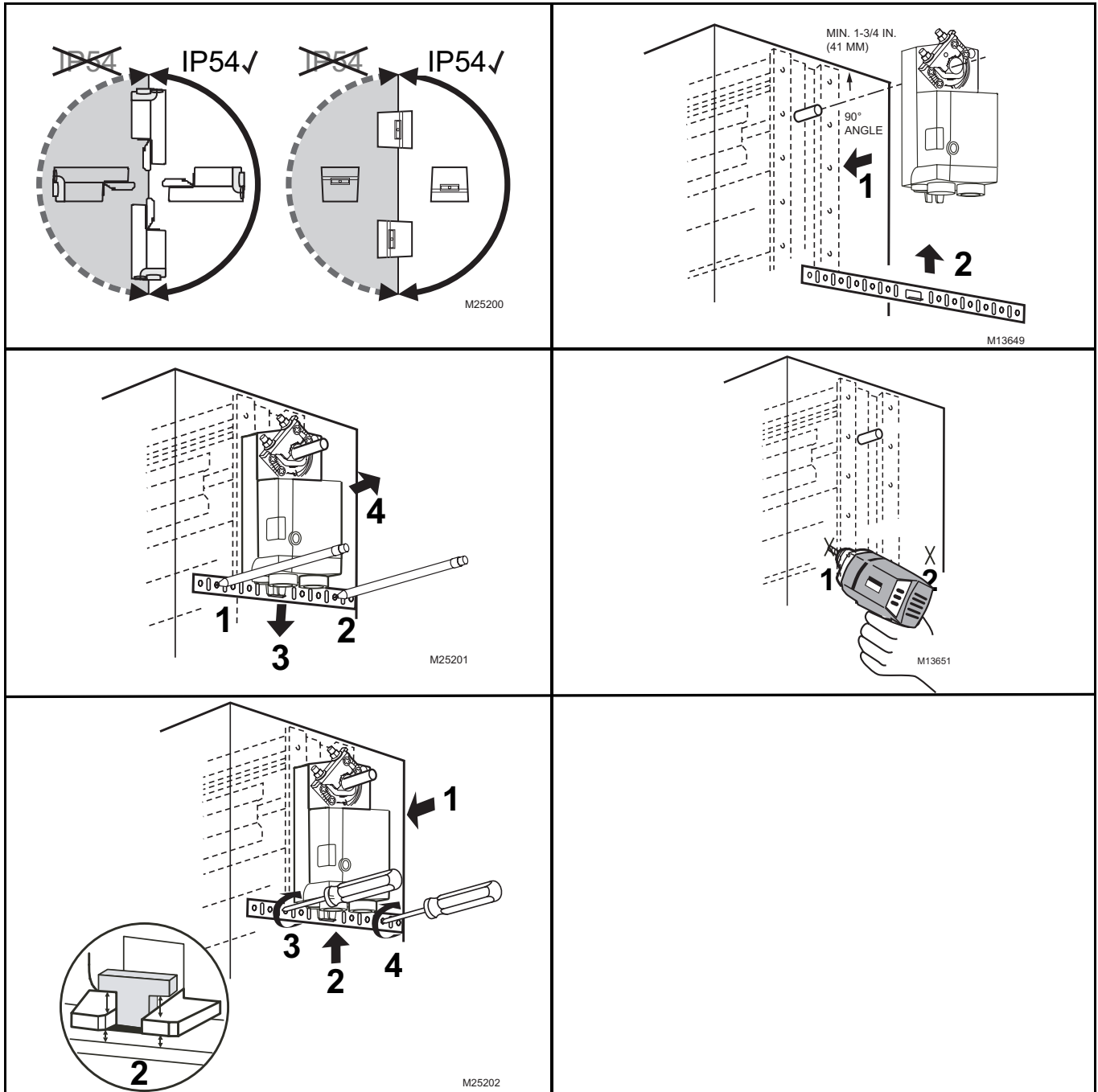


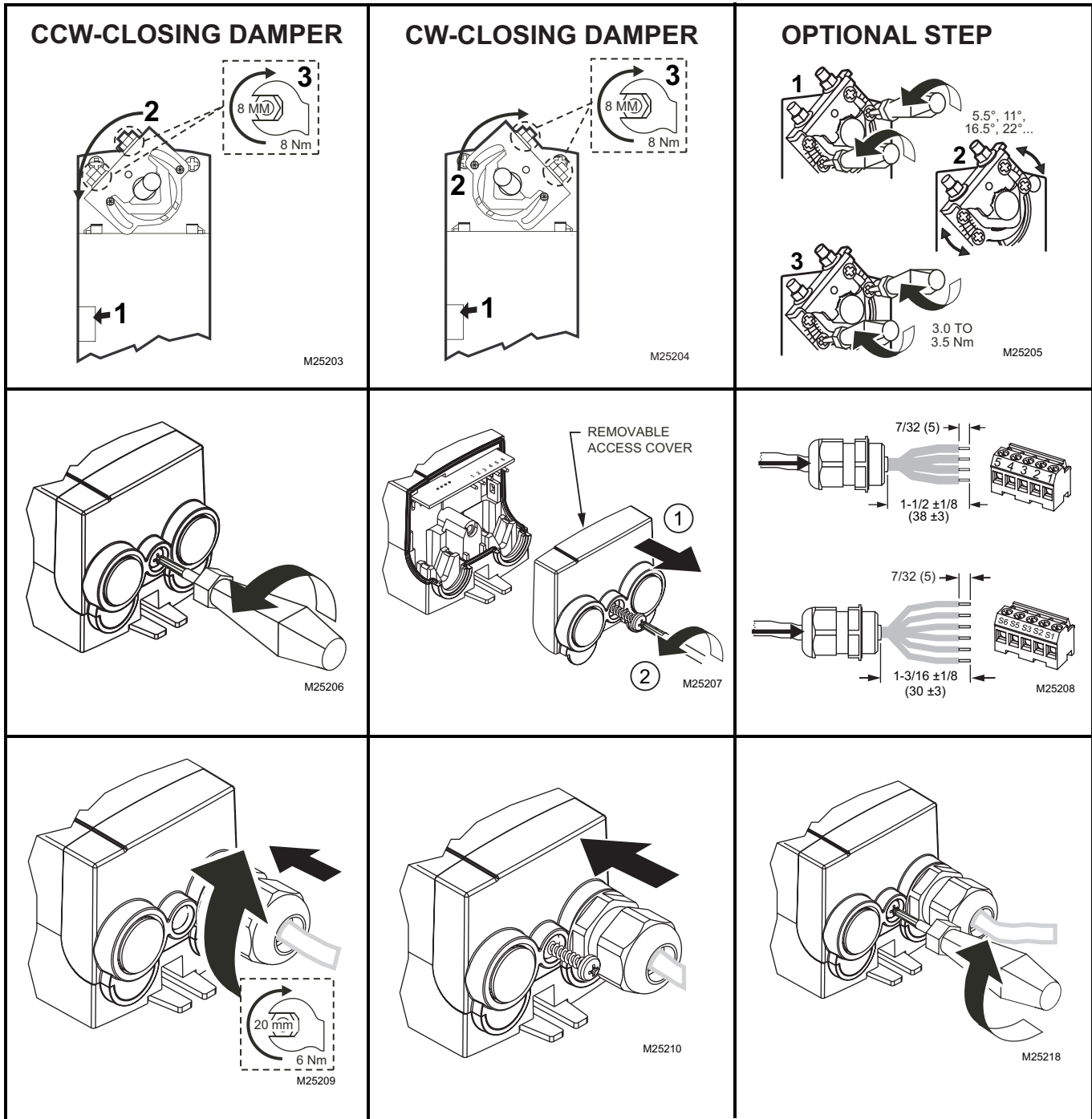
# MN6105, MN6110, MN7505, MN7510 Non-Spring Return Direct Coupled Actuators

## INSTALLATION INSTRUCTIONS

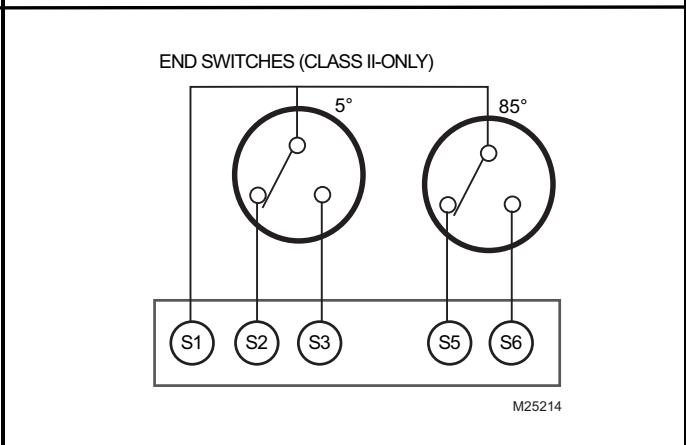
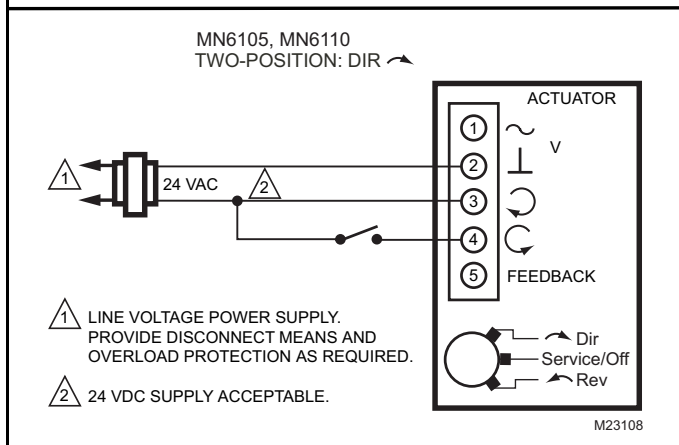
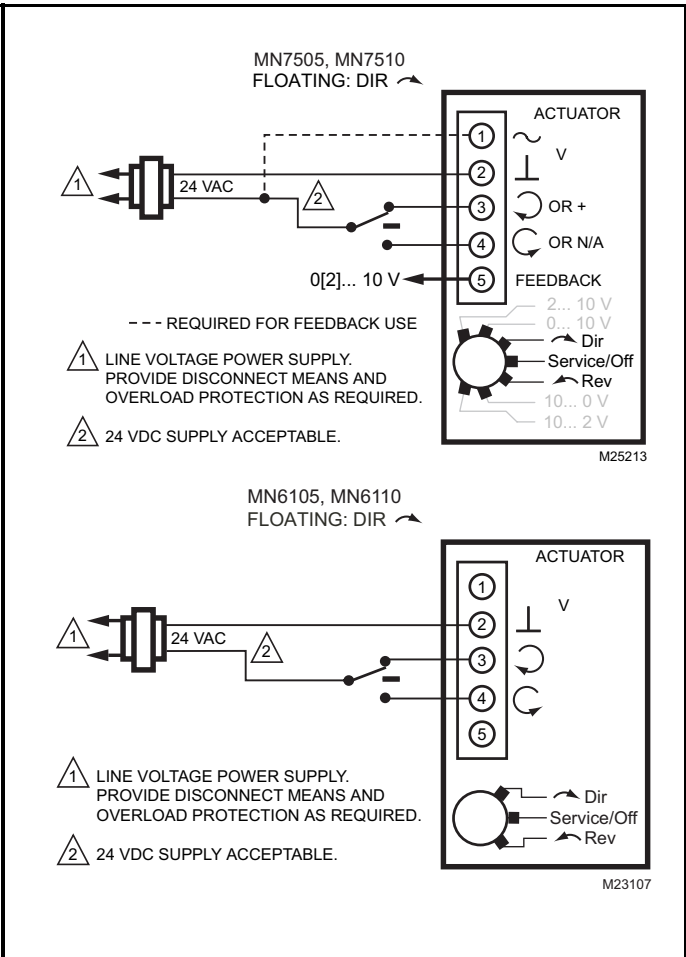
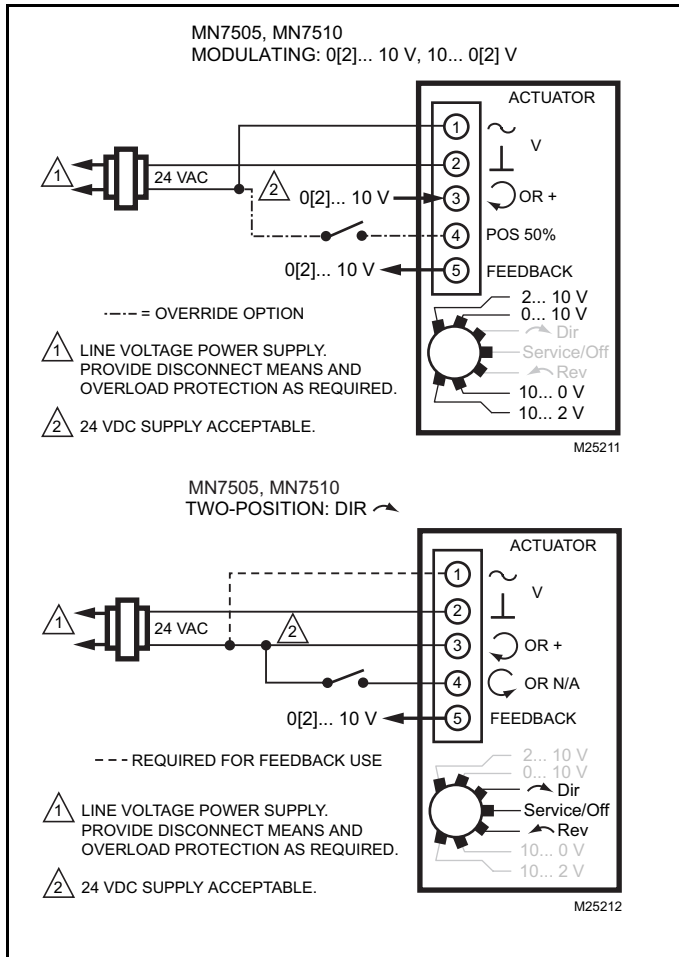
Disconnect power before installation.



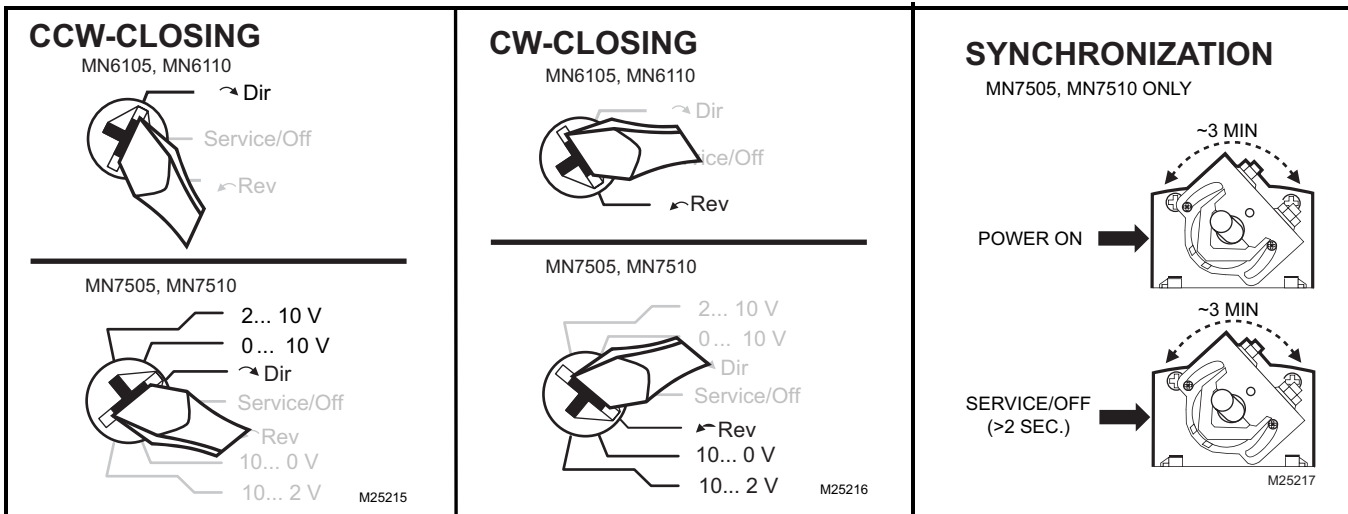
### Mounting on Counterclockwise (CCW) or Clockwise (CW) Closing Damper



# Wiring



## Adjusting for Counterclockwise (CCW) or Clockwise (CW) Closing Damper/Synchronization



### Automation and Control Solutions

Honeywell International Inc.  
1985 Douglas Drive North  
Golden Valley, MN 55422

Honeywell Limited-Honeywell Limitée  
35 Dynamic Drive  
Scarborough, Ontario M1V 4Z9

Honeywell GmbH  
Böblinger Straße 17  
D-71101 Schönaich

customer.honeywell.com

© U.S. Registered Trademark  
© 2006 Honeywell International Inc.  
MU1B-0314GE51 R0606B  
62-0224—1 J.I. Rev. 06-06



Printed in U.S.A. on recycled paper containing at least 10% post-consumer paper fibers.

# Honeywell