

Feature

DZR brass automatic balancing valve
 Flow regulated by interchangeable cartridge (see cartridge section)
 Union ends for tailpieces connections
 FNPT, MNPT, Solder and Press tailpieces available

300WOG

Working conditions:

Water: from 15°F to 260°F
 below 32°F only for water with added antifreezing fluids
 over 212°F only for water with added anti-boiling fluids
 (Ethylene-Glycolic and propylene-glycolic mix up to 50% may be used)

Flow range from 0.32GPM to 3.17GPM for 1/2" and 3/4"-L valves
 Flow range from 2.06GPM to 15.1GPM for 1/2"-H, 3/4", 1" and 1 1/4"-L valves
 Flow range from 7.29GPM to 41.2GPM for 1 1/4", 1 1/2" and 2" valves
 Flow range from 25.4GPM to 127GPM for 2"-H valve
 Working ΔP depending on selected cartridge

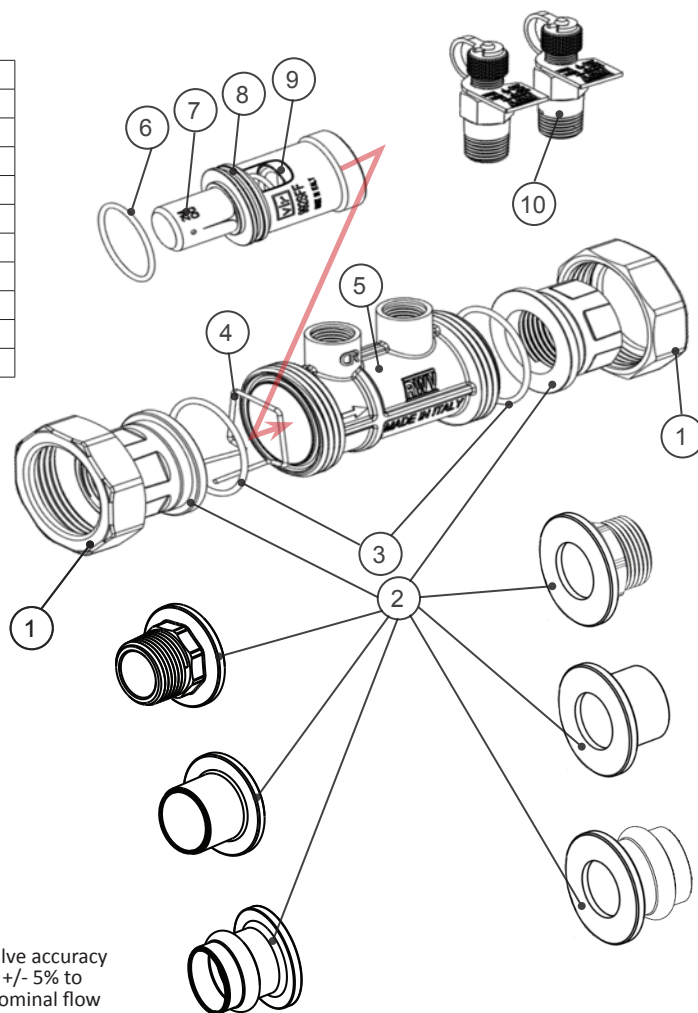


Material

	Part	Material	Specification
1	Union nut	Brass	ASTM B283 C37700
2	Tailpiece ¹	DZR Brass	UNS C35330
3	Union O-ring	EPDM Perox	-
4	Spring retainer	Stainless steel	AISI 302
5	Body	DZR Brass	UNS C35330
6	Cartridge O-ring	EPDM Perox	-
7	Piston	Stainless steel	-
8	Cartridge body	DZR Brass	UNS C35330
9	Cartridge spring	Stainless steel	AISI 302
10	Test point	DZR Brass ²	UNS C35330

¹ Any possible combination of tailpiece available

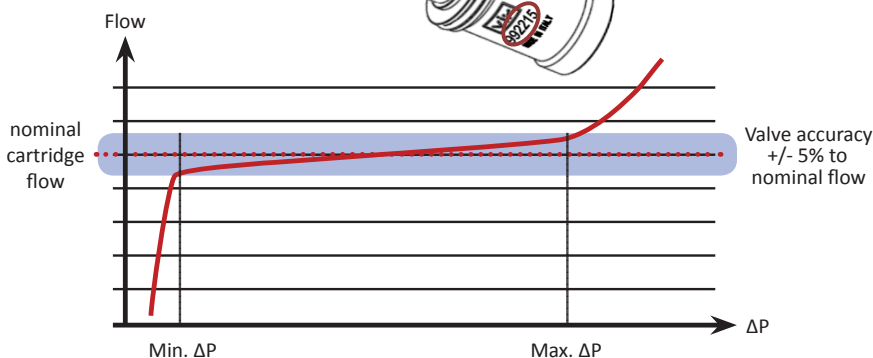
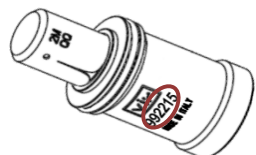
² Test points with EPDM Perox gaskets and polypropylene ties



Cartridge

Cartridges are available for different flow rates and in different ranges of working differential pressure. The minimum and maximum working ΔP depend on the specific cartridge model.

A numeric code is marked on the cartridge body univocally identifying it (example for KRR992215.1880).



1/2" 3/4"-L

Mini

RWV Code	Flow (GPM)	RangeΔP (psi)
KRR991202.1880	0.32	2.2-25
KRR991203.1880	0.48	2.3-32
KRR991204.1880	0.63	2.3-32
KRR991205.1880	0.79	2.3-32
KRR991206.1880	0.95	2.3-32
KRR991207.1880	1.11	2.3-32
KRR991208.1880	1.27	2.3-32
KRR991209.1880	1.43	2.3-32
KRR991210.1880	1.59	2.3-32
KRR991211.1880	1.74	2.5-32
KRR991212.1880	1.90	2.5-32
KRR991213.1880	2.06	2.5-32
KRR991214.1880	2.22	2.5-32
KRR991215.1880	2.38	2.5-32
KRR991216.1880	2.54	2.5-32
KRR991218.1880	2.85	2.6-32
KRR991220.1880	3.17	2.8-32

1/2"-H 3/4" 1"

Small (Standard Pressure Range)

RWV Code	Flow (GPM)	RangeΔP (psi)
KRR992213.1880	2.06	2.5-35
KRR992215.1880	2.38	2.5-35
KRR992217.1880	2.69	2.5-35
KRR992219.1880	3.01	2.5-35
KRR992221.1880	3.33	2.6-35
KRR992224.1880	3.80	2.6-35
KRR992227.1880	4.28	2.6-35
KRR992230.1880	4.76	2.6-35
KRR992233.1880	5.23	2.6-35
KRR992236.1880	5.71	2.6-35
KRR992240.1880	6.34	2.6-35
KRR992245.1880	7.13	2.8-35
KRR992250.1880	7.93	2.8-35
KRR992255.1880	8.72	3.0-35
KRR992260.1880	9.51	3.2-35
KRR992266.1880	10.5	3.5-35
KRR992272.1880	11.4	3.5-35

3/4" 1"

Small (High Pressure Range)

RWV Code	Flow (GPM)	RangeΔP (psi)
KRR992318.1880	2.85	4.2-64
KRR992320.1880	3.17	4.6-64
KRR992323.1880	3.65	4.8-64
KRR992327.1880	3.96	4.8-64
KRR992329.1880	4.60	4.8-64
KRR992332.1880	5.07	4.8-64
KRR992336.1880	5.71	4.8-64
KRR992340.1880	6.34	4.8-64
KRR992345.1880	7.13	4.8-64
KRR992350.1880	7.93	4.8-64
KRR992355.1880	8.72	4.9-64
KRR992361.1880	9.67	5.2-64
KRR992368.1880	10.8	5.2-64
KRR992375.1880	11.9	5.2-64
KRR992380.1880	12.7	5.2-64
KRR992386.1880	13.6	5.8-64
KRR992395.1880	15.1	5.8-64

1 1/4" 1 1/2" 2"

Medium (Standard Pressure Range)

RWV Code	Flow (GPM)	RangeΔP (psi)
KRR994246.1880	7.29	2.0-33
KRR994250.1880	7.93	2.0-33
KRR994255.1880	8.72	2.0-33
KRR994258.1880	9.19	2.0-33
KRR994262.1880	9.83	2.0-33
KRR994267.1880	10.6	2.2-33
KRR994274.1880	11.7	2.2-33
KRR994283.1880	13.2	2.2-33
KRR994290.1880	14.3	2.2-33
KRR994297.1880	15.4	2.2-33
KRR994210.1880	16.6	2.2-33
KRR994212.1880	19.0	2.2-33
KRR994213.1880	20.6	2.3-33
KRR994214.1880	22.8	2.5-33
KRR994216.1880	24.7	2.5-33
KRR994217.1880	26.6	2.6-33
KRR994218.1880	28.5	2.8-33
KRR994220.1880	31.1	2.8-33

1 1/4" 1 1/2" 2"

Medium (High Pressure Range)

RWV Code	Flow (GPM)	RangeΔP (psi)
KRR994362.1880	9.83	3.9-61
KRR994368.1880	10.8	3.9-61
KRR994374.1880	11.7	3.9-61
KRR994379.1880	12.5	3.9-61
KRR994383.1880	13.2	3.9-61
KRR994391.1880	14.4	4.1-61
KRR994310.1880	15.9	4.1-61
KRR994311.1880	17.6	4.1-61
KRR994312.1880	19.0	4.2-61
KRR994313.1880	20.6	4.2-61
KRR994314.1880	22.0	4.2-61
KRR994316.1880	26.0	4.4-61
KRR994318.1880	27.7	4.5-61
KRR994319.1880	30.1	4.5-61
KRR994321.1880	32.7	4.6-61
KRR994322.1880	35.4	4.9-61
KRR994324.1880	38.0	5.1-61
KRR994326.1880	41.2	5.5-61

2"-H

Large

RWV Code	Flow (GPM)	RangeΔP (psi)
KRR996216.1880	25.4	2.0-33
KRR996218.1880	28.5	2.0-33
KRR996220.1880	31.7	2.0-33
KRR996222.1880	34.9	2.2-33
KRR996224.1880	38.0	2.2-33
KRR996227.1880	42.8	2.2-33
KRR996230.1880	47.6	2.3-33
KRR996233.1880	52.3	2.3-33
KRR996236.1880	57.1	2.3-33
KRR996240.1880	63.4	2.5-33
KRR996245.1880	71.3	2.5-33
KRR996250.1880	79.3	2.8-33
KRR996255.1890	87.2	2.8-33
KRR996260.1880	95.1	3.0-33
KRR996266.1880	105	3.0-33
KRR996273.1880	116	3.6-33
KRR996280.1880	127	4.1-33

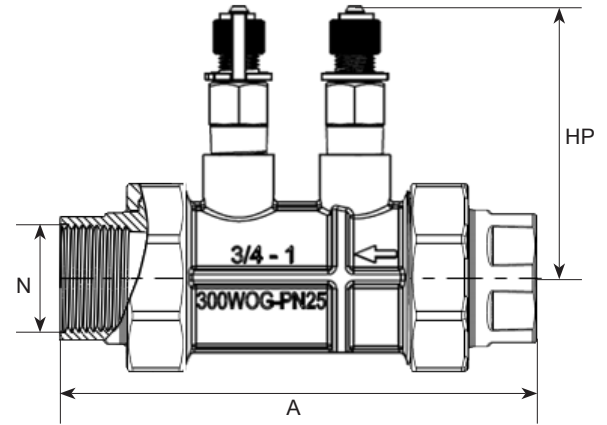


Dimension, Weight, Cv

9907T-FF

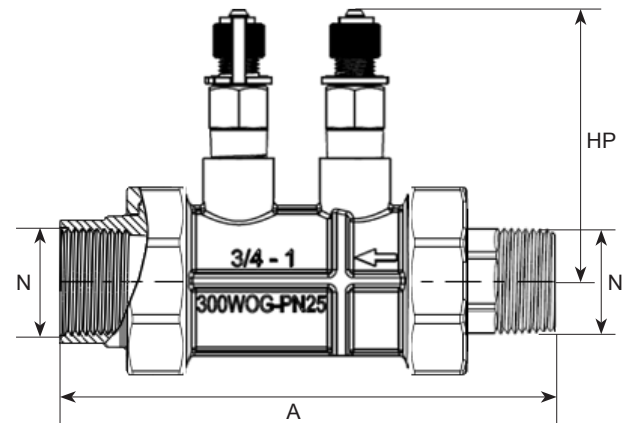
* Cv Values refer to a valve without cartridge

Size	N	A	HP	Cv *	Valve Wt.	Cart. Wt.
		[in]	[in]	[GPM]	[lb]	[lb]
½"	½ - 14 NPT	3.78	2.34	14	0.83	0.10
½"-H	½ - 14 NPT	4.35	2.34	19	1.15	0.21
¾"-L	¾ - 14 NPT	4.65	2.34	14	0.99	0.10
¾"	¾ - 14 NPT	4.47	2.60	21	1.16	0.21
1"	1 - 11.5 NPT	4.72	2.60	27	1.45	0.21
1¼"-L	1¼ - 11.5 NPT	5.32	2.87	27	1.85	0.21
1¼"	1¼ - 11.5 NPT	6.27	2.87	97	2.78	0.56
1½"	1½ - 11.5 NPT	6.27	2.87	97	3.34	0.56
2"	2 - 11.5 NPT	8.20	2.87	94	4.55	0.56
2"-H	2 - 11.5 NPT	9.16	3.62	189	7.83	3.01



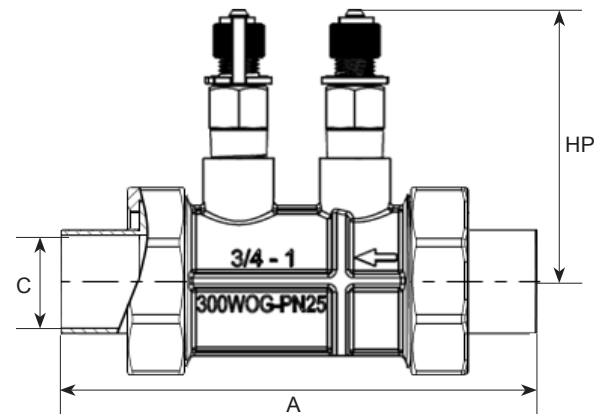
9907T-MF

Size	N	A	HP	Cv *	Valve Wt.	Cart. Wt.
		[in]	[in]	[GPM]	[lb]	[lb]
½"	½ - 14 NPT	4.13	2.34	14	0.82	0.10
½"-H	½ - 14 NPT	4.76	2.34	19	1.13	0.21
¾"-L	¾ - 14 NPT	4.59	2.34	14	0.81	0.10
¾"	¾ - 14 NPT	4.72	2.60	21	1.15	0.21
1"	1 - 11.5 NPT	5.18	2.60	27	1.39	0.21
1¼"-L	1¼ - 11.5 NPT	5.42	2.87	27	1.67	0.21
1¼"	1¼ - 11.5 NPT	6.55	2.87	97	2.78	0.56
1½"	1½ - 11.5 NPT	6.96	2.87	97	3.32	0.56
2"	2 - 11.5 NPT	8.12	2.87	94	4.11	0.56
2"-H	2 - 11.5 NPT	9.16	3.62	189	7.83	3.01



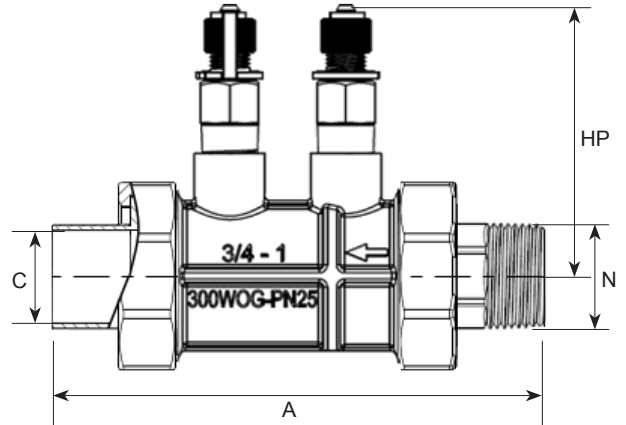
9907T-SS

Size	C	A	HP	Cv *	Valve Wt.	Cart. Wt.
	[in]	[in]	[in]	[GPM]	[lb]	[lb]
½"	0.627-0.631	3.41	2.34	14	0.73	0.10
½"-H	0.627-0.631	4.51	2.34	19	1.03	0.21
¾"-L	0.877-0.881	3.96	2.34	14	0.76	0.10
¾"	0.877-0.881	4.51	2.60	21	1.03	0.21
1"	1.128-1.131	4.74	2.60	27	1.21	0.21
1¼"-L	1.378-1.381	4.78	2.87	27	1.37	0.21
1¼"	1.378-1.381	6.82	2.87	97	3.17	0.56
1½"	1.628-1.632	7.06	2.87	97	3.18	0.56
2"	2.128-2.132	7.56	2.87	94	3.28	0.56
2"-H	2.128-2.132	9.82	3.62	189	7.45	3.01



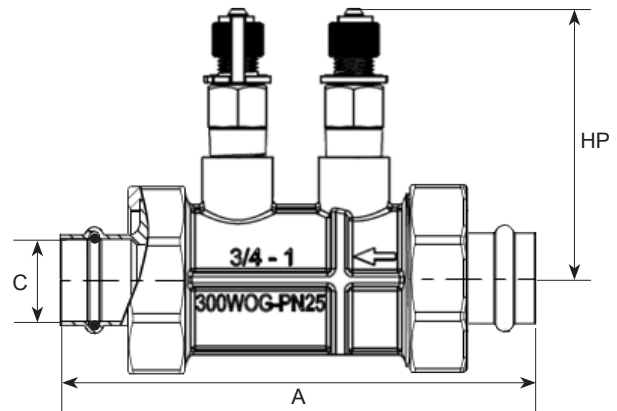
9907T-MS

Size	C [in]	N	A [in]	HP [in]	Cv * [GPM]	Valve Wt. [lb]	Cart. Wt. [lb]
1/2"	0.627-0.631	1/2 - 14 NPT	3.95	2.34	14	0.77	0.10
1/2"-H	0.627-0.631	1/2 - 14 NPT	4.83	2.34	19	1.09	0.21
3/4"-L	0.877-0.881	3/4 - 14 NPT	4.23	2.34	14	0.81	0.10
3/4"	0.877-0.881	3/4 - 14 NPT	4.73	2.60	21	1.11	0.21
1"	1.128-1.131	1 - 11.5 NPT	4.98	2.60	27	1.22	0.21
1 1/4"-L	1.378-1.381	1 1/4 - 11.5 NPT	4.98	2.87	27	1.46	0.21
1 1/4"	1.378-1.381	1 1/4 - 11.5 NPT	6.70	2.87	97	3.27	0.56
1 1/2"	1.628-1.632	1 1/2 - 11.5 NPT	7.38	2.87	97	3.34	0.56
2"	2.128-2.132	2 - 11.5 NPT	7.82	2.87	94	3.50	0.56
2"-H	2.128-2.132	2 - 11.5 NPT	9.82	3.62	189	7.45	3.01



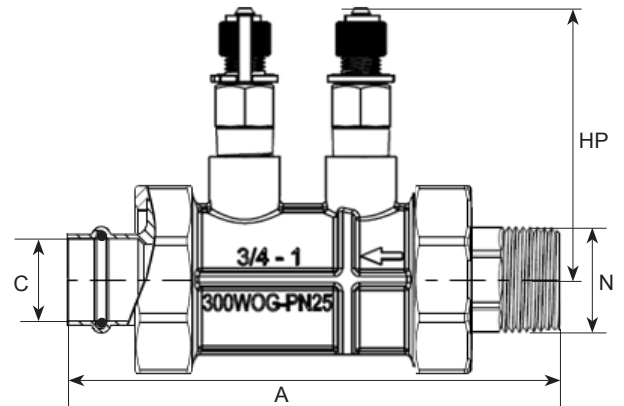
9907T-PP

Size	C [in]	A [in]	HP [in]	Cv * [GPM]	Valve Wt. [lb]	Cart. Wt. [lb]
1/2"	0.64	4.41	2.34	14	0.80	0.10
1/2"-H	0.64	4.95	2.34	19	1.09	0.21
3/4"	0.89	4.95	2.60	21	1.11	0.21
1"	2.12	4.72	2.60	27	1.18	0.21



9907T-MP

Size	C [in]	N	A [in]	HP [in]	Cv * [GPM]	Valve Wt. [lb]	Cart. Wt. [lb]
1/2"	0.64	1/2 - 14 NPT	4.45	2.34	14	0.81	0.10
1/2"-H	0.64	1/2 - 14 NPT	5.05	2.34	19	1.12	0.21
3/4"	0.89	3/4 - 14 NPT	4.95	2.60	21	1.15	0.21
1"	2.12	1 - 11.5 NPT	4.97	2.60	27	1.21	0.21



Installation

The valve must be installed with the flow matching the arrow marked on the valve body.

To obtain the best performance:

- Verify system is properly flushed prior to installing the cartridge
- Use at least one strainer for each installation
- Ensure water quality is in accordance with DVI 2035
- Install the valve on a pipe with its same nominal size

