

T6000 Series

T6000 LCD Digital Fan Coil Thermostat



T6000 LCD Digital Fan Coil Thermostat

T6000 LCD Digital Fan Coil Thermostats are designed to control heating, cooling, or year round air conditioning unit in Commercial, Industrial and Residential Installation. Typical applications include the control of fan coil units, packaged terminal air conditioners and combination of heating and cooling equipment. As part of the system that consists of a two-way or three-way valve and a multi-speed line voltage fan.

These aesthetic design thermostat features with Backlit Liquid Crystal Display (LCD); an attractive white color in a compact size complements any decor. The thermostat does not require any battery backup as setpoint and other parameters are stored in non-volatile memory. The intuitive operation makes the thermostat very user-friendly.



T6000 LCD Digital Fan Coil Thermostat

Features and Benefits

Backlit Liquid Crystal Display (LCD)	<ul style="list-style-type: none"> • Industrial Standard Graphical Symbol to eliminate native language interface • Offer Easy-to-Read Real-Time control status of the environment, Graphical messages with constant blue backlight that brightens during user interaction
5 Function Key	<ul style="list-style-type: none"> • Easy-to-Use Interface Keys allow for easy commissioning and adjustment • All-in-One location function keys, Simplified user to change the setpoint and parameter • Molded Industrial Standard Graphical Symbol
Appearance	<ul style="list-style-type: none"> • Attractively-Style Twin-Ring Streamline ABS Plastic Cover and Base • All-in-One Enclosure Design without Protrusion of Power Circuit • Molded Logo & Symbol to ensure Original Pattern
Energy Saving	<ul style="list-style-type: none"> • Features with Unoccupied Function • Dual-Setpoint, enable user define comfort Setting • Low Speed Fan Startup, eliminating High Inrush Current • Requires no batteries; EEPROM retains the last events and parameter settings after a loss of power
Installation, Service and Maintenance	<ul style="list-style-type: none"> • Universal Mounting with Standard Wall Box • Un-pluggable Wire Termination, allows quick connect for final hand-over to end-user • Quick Replacement to reduce to Downtime of Service Maintenance • Power Failure Restart, allows user selection of Auto-restart of Equipment after power resume

Model Available

Models	Applications	Control	Occupancy Mode	Backlit LCD	Power supply
T6634-TA10-9JSO	Cooling only	On/Off	No	Yes	AC95V ~ AC240V
T6634-TE20-9JSO	2-pipe Heating or cooling	On/Off	Yes	Yes	AC95V ~ AC240V
T6634-TF20-9JSO	4-pipe Heating and cooling	On/Off	Yes	Yes	AC95V ~ AC240V
T6634-TE21-9JSO	2-pipe Heating or cooling	DC 0-10V modulating	Yes	Yes	AC24V
T6634-TE22-9JSO	2-pipe Heating or cooling	Floating	Yes	Yes	AC95V ~ AC240V

Product Overview

T6000 are LCD display (with Backlit) fan coil unit thermostat that design for cooling or heating fan coil unit with valve actuator control application. Integral with System On/Off button that allows user to shutdown the T6000 and cutoff the output power for fan (except Valve Actuator Output power). Simply pressing the fan speed button, allows user selection of Auto-High-Med-Low fan speed. All fan output by relay that can withstand max. of 5Amp. operating current.

The T6000 thermostats come with 24-hours timer that allows user to schedule On-Time or Off-Time for the fan coil depending user needs. Additional Dry-contact for Occupancy mode that allows better comfort control and to achieve energy cost saving.

Standard 86 x 86mm size allows for 75 x 75 x 35mm standard wall box installation.

- The Models T6634-TA10/TE20/TF20-9JS0 are used for the application with On/Off valve actuator. (eg. VA7010 with VG4000)
- The Model T6634-TE21-9JS0 is used for the application with modulating valve actuator. (eg. VA7482 with VG4000)
- The Model T6634-TE22-9JS0 is used for the application with floating valve actuator.(eg. VA7480 with VG4000)

IMPORTANT:

Use this T6000 Series Fan Coil Thermostat only as an operating control. Where failure of malfunction of the T6000 Series Thermostat could lead to personal injury or property damage to the controlled equipment or other property, additional precautions must be designed into the system. Incorporate and maintain other devices such as supervisory or alarm systems or safety or limit controls intended to warn of, or protect against, failure or malfunction of the T6000 Series Thermostat.

Repair and Replacement

If the thermostat fails to operate within its specifications, replace the unit. To order the replacement, refer to the Order Information section.

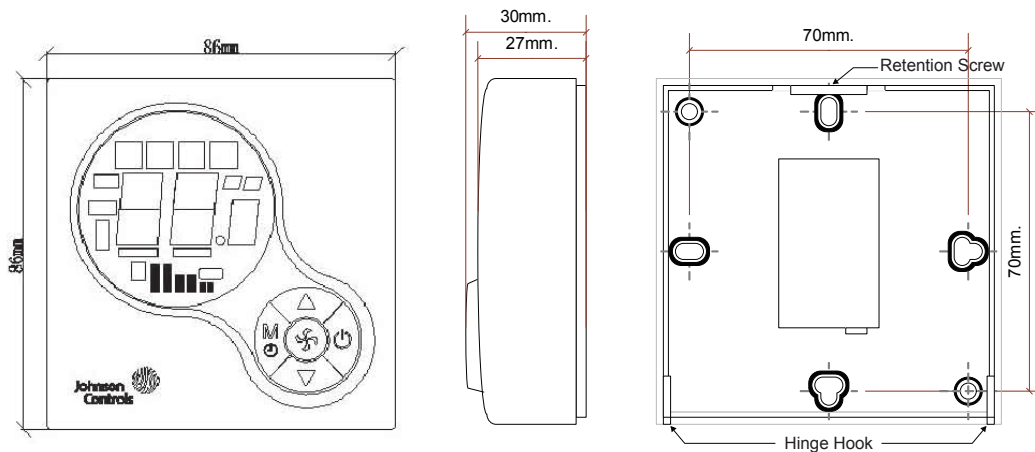
Ordering Information

To order the replacement T6000 Series thermostat, contact the nearest Johnson Controls® representative. Specify the desired product code number.

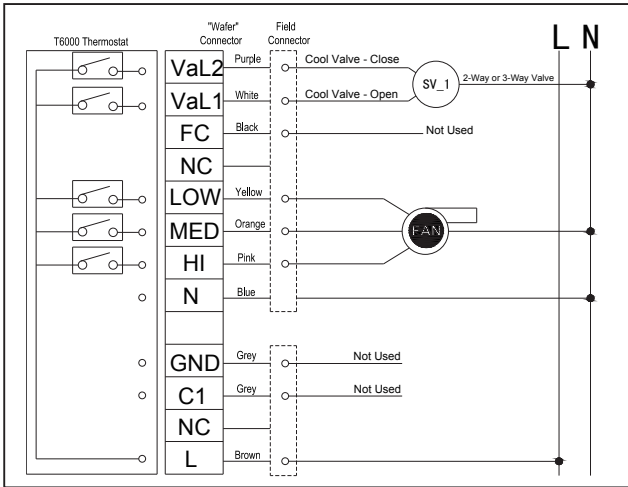
IMPORTANT:

The power supply to the thermostat must include overload protection. Failure to include overload protection may result in damage to the thermostat.

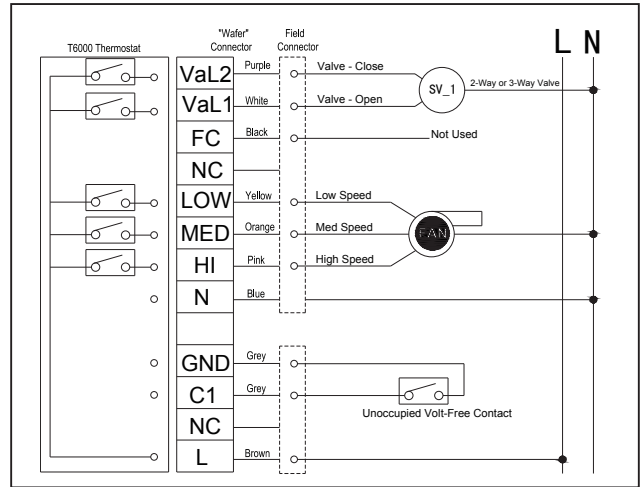
Dimensions



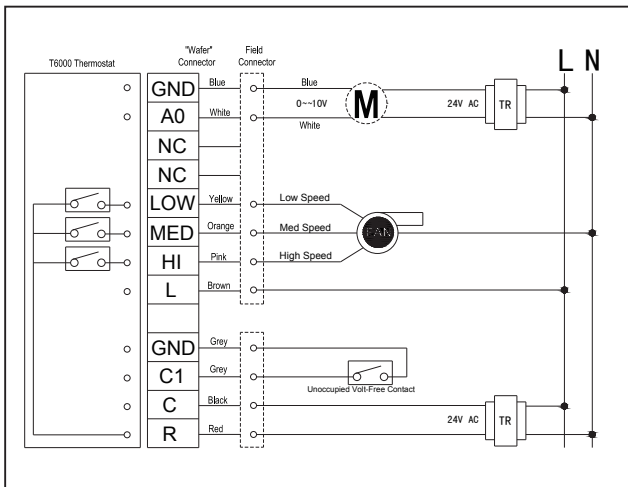
Wiring



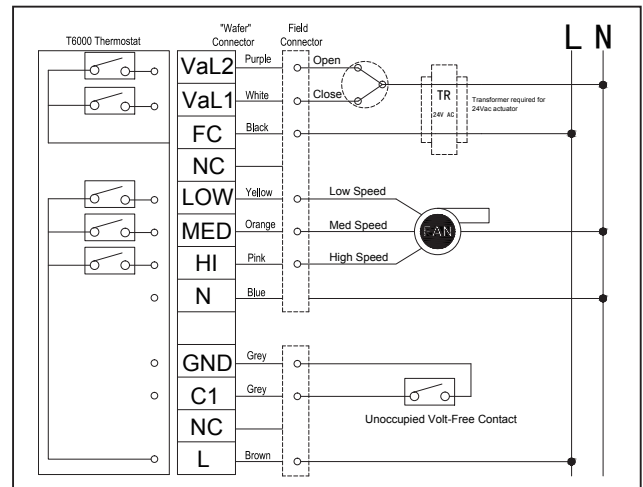
T6634-TA10-9JS0



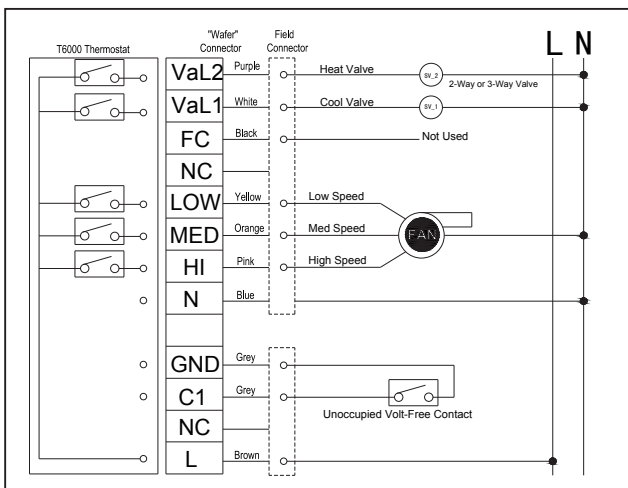
T6634-TE20-9JS0



T6634-TE21-9JS0



T6634-TE22-9JS0



T6634-TF20-9JS0

Model Selection Guide

	T6	6	3	4	-	T	E	2	0	-	9	J	S	0
New generation	6	=	New generation											
System Off-On	3	=	System Off-On											
Fan Control	4	=	Auto-Hi-Med-Lo											
Temperature Scale	T	=	°C & °F											
Applications	A	=	Cooling only											
	E	=	Cooling or Heating w / Occupied Contact				E							
	F	=	Cooling and Heating w / Occupied Contact											
Unoccupied Setpoint	1	=	None											
	2	=	Cooling 23°C ~ 30°C Heating 16°C ~ 23°C					2						
Valve Control	0	=	On/Off											
	1	=	Modulating						1					
	2	=	Floating											
Color	9	=	White								9			
Finishing	J	=	With JCI Logo									J		
Compliance	S	=	Standard										S	
Future Use	0	=	None											0

Specifications

Product	T6000 LCD Digital Fan Coil Unit Thermostat	
	T6634-TA10-9JS0	Backlit LCD Cooling only, On/Off control for 2-wire/3-wire valve (actuator)
	T6634-TE20-9JS0	Backlit LCD Cooling or Heating, On/Off control for 2-wire/3-wire valve (actuator), w/occupancy contact
	T6634-TF20-9JS0	Backlit LCD Cooling and Heating, On/Off control for 2-wire valve (actuator) , w/occupancy contact
	T6634-TE21-9JS0	Backlit LCD Cooling or Heating, Modulating control, w/occupancy contact
	T6634-TE22-9JS0	Backlit LCD Cooling or Heating, Floating control, w/occupancy contact
Power Requirements	T6634-TA10/TE20/TE22/TF20-9JS0: AC95V ~ AC240V ±10%, 50/60 Hz	
	T6634-TE21-9JS0: AC24V ±10%, 50/60 Hz	
Accuracy	±1°C	
Display Range	0 to 55°C (32 to 99°F) maximum	
Setpoint Range	5 to 30°C (41 to 86°F) maximum	
Unoccupied Mode	External Voltage-Free Contact Input Signal	
Termination	Un-pluggable "Wafer" Connector with 12 cm Color-coded 20AWG PVC cable	
Valve Control	T6334-TA10-9JS0 (Cooling only)	On/Off control, 2X SPST relay output, AC230V, Maximum 5A(Res.)
	T6334-TE20-9JS0 (Cooling or Heating)	On/Off control, 2X SPST relay output, AC230V, Maximum 5A(Res.)
	T6334-TF20-9JS0 (Cooling and Heating)	On/Off control, 2X SPST relay output, AC230V, Maximum 5A(Res.)
	T6634-TE21-9JS0	DC 0-10V Modulating
	T6634-TE22-9JS0	Floating control, AC24V/AC230V, Maximum 0.6A
Fan Control	3 x Single-Pole, Single Throw (SPST) , Relay Output for High-Med-Low Fan, 5A (Res.) at 230 VAC (Maximum)	
Ambient Operating Conditions	0 to 50°C (32 to 122°F) 90% Non-condensing RH	
Ambient Storage Conditions	-10 to 60°C (14 to 140°F) 90% Non-condensing RH	
Housing Material	PC: UL94-V0	
Protection Class	IP20	
Dimensions	86 x 86 x 30 mm	
Weight	Appr. 205g (T6634-TA10/TE20/TE22/TF20-9JS0), 187g (T6634-TE21-9JS0)	

* When connected, the On/Off switch does not disconnect power to the unit; it only turns off or on the LCD and functions.

Johnson Controls is a global diversified technology and industrial leader serving customers in more than 150 countries. Our 162,000 employees create quality products, services and solutions to optimize energy and operational efficiencies of buildings; lead-acid automotive batteries and advanced batteries for hybrid and electric vehicles; and interior systems for automobiles. Our commitment to sustainability dates back to our roots in 1885, with the invention of the first electric room thermostat. Through our growth strategies and by increasing market share we are committed to delivering value to shareholders and making our customers successful. In 2011, Corporate Responsibility Magazine recognized Johnson Controls as the #1 company in its annual "100 Best Corporate Citizens" list. For additional information, please visit <http://www.johnsoncontrols.com>.

Johnson Controls Building Efficiency delivers products, services and solutions that increase energy efficiency and lower operating costs in buildings for more than one million customers. Operating from 500 branch offices in more than 150 countries, we are a leading provider of equipment, controls and services for heating, ventilating, air-conditioning, refrigeration and security systems. We have been involved in more than 500 renewable energy projects including solar, wind and geothermal technologies. Our solutions have reduced carbon dioxide emissions by 16 million metric tons and generated savings of \$19 billion since 2000. Many of the world's largest companies rely on us to manage 1.5 billion square feet of their commercial real estate.

For pricing & ordering information: Please email us at BE-SystemsProducts_ME@jci.com

Johnson Controls System Products Middle East

API World Tower
Sheikh Zayed Road, Dubai-UAE
Tel : +971 4 3099 999
Fax: +971 4 3326 074

