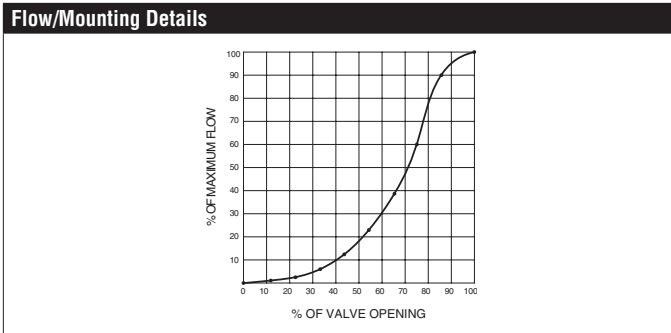


# F6100HD Technical Data Sheet

## Resilient Seat, 304 Stainless Steel Disc



Technical Data	
Fluid	chilled, hot water, up to 60% glycol
Flow characteristic	modified equal percentage
Controllable flow range	90° rotation
Valve Size [mm]	4" [100]
Pipe connection	for use with ANSI class 125/150 flanges
Housing	Ductile cast iron ASTM A536
Body finish	epoxy powder coating (blue RAL 5002)
Stem	416 stainless steel
Stem seal	EPDM (lubricated)
Seat	EPDM
Bearing	RPTFE
Disc	304 stainless steel
Body Pressure Rating	ANSI Class Consistent with 125, 232 psi CWP
ANSI Class	Consistent with 125
Number of Bolt Holes	8
Lug threads	5/8-11 UNC
Close-off pressure $\Delta$ ps	200 psi
Rangeability Sv	10:1 (for 30° to 70° range)
Maximum Velocity	12 FPS
Cv	600
Weight	13 lb [5.7 kg]
Fluid Temp Range (water)	-22...250°F [-30...120°C]
Leakage rate	0%
Maintenance	maintenance-free



### Application

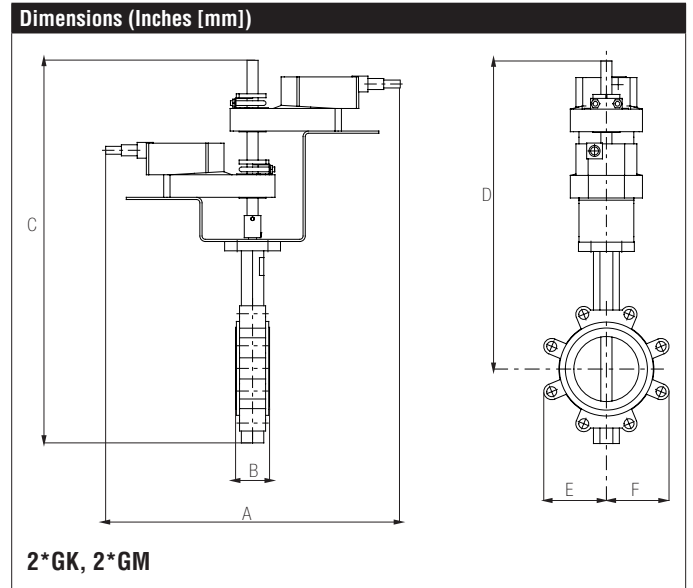
Valve is designed for use in ANSI flanged piping systems to meet the needs of bi-directional high flow HVAC hydronic applications with 0% leakage. Typical applications include cooling tower bypass, primary flow change-over systems, and large air-handler coil control. Valve face-to-face dimensions comply with API 609 & MSS-SP-67, Completely assembled and tested, ready for installation.

### Jobsite Note

Valve assembly should be stored in a weather protected area prior to installation. Reference the butterfly valve installation instruction for additional information.

Flow/Cv								
Cv 10°	Cv 20°	Cv 30°	Cv 40°	Cv 50°	Cv 60°	Cv 70°	Cv 80°	Cv 90°
0.3	17	36	78	139	230	364	546	600

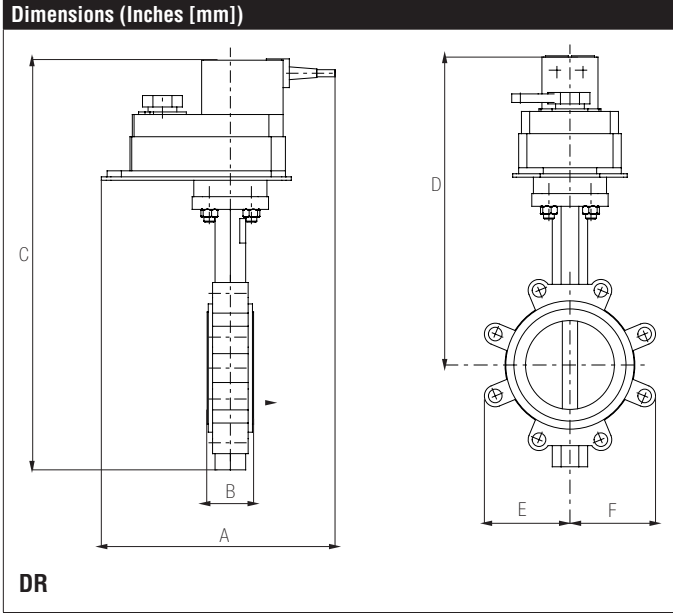
Suitable Actuators		
	Non-Spring	Electronic fail-safe
F6100HD	2*GMB(X), DRB(X), PRB(X)	PKRB(X)



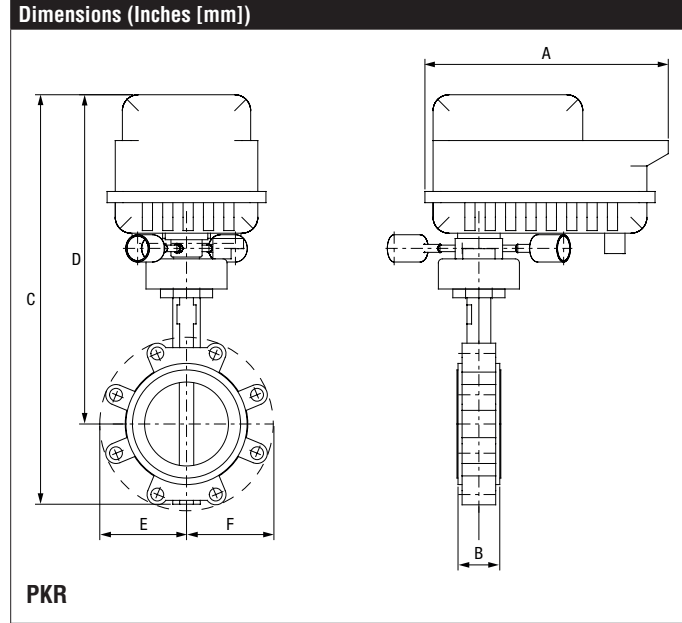
A	B	C	D	E	F
17.9" [454]	2.0" [52]	22.8" [578]	18.5" [470]	3.9" [100]	

### Safety Notes

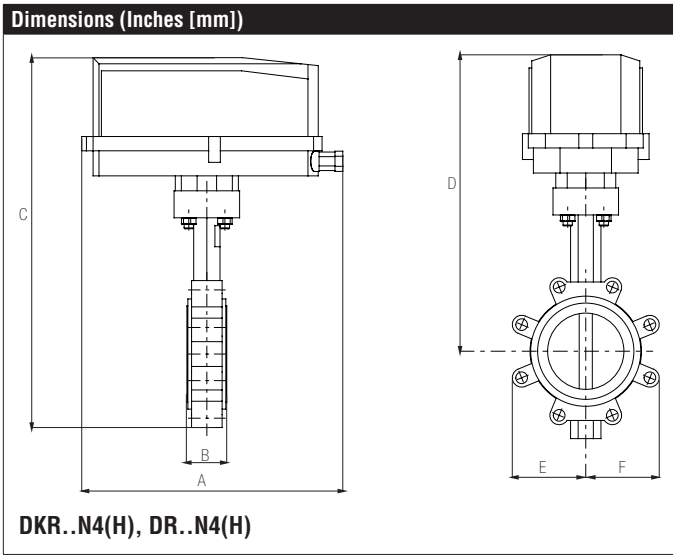
**WARNING:** For Belimo products sold in California: these products do or may contain chemicals which are known to the State of California to cause cancer and or birth defects or other reproductive harms. For more information see [www.p65warnings.ca.gov](http://www.p65warnings.ca.gov).



A	B	C	D	E	F
11.3" [286]	2.2" [56]	17.0" [433]	13.0" [331]	4.3" [110]	



A	B	C	D	E	F
12.0" [304]	2.1" [54]	20.0" [509]	16.2" [411]	4.3" [110]	

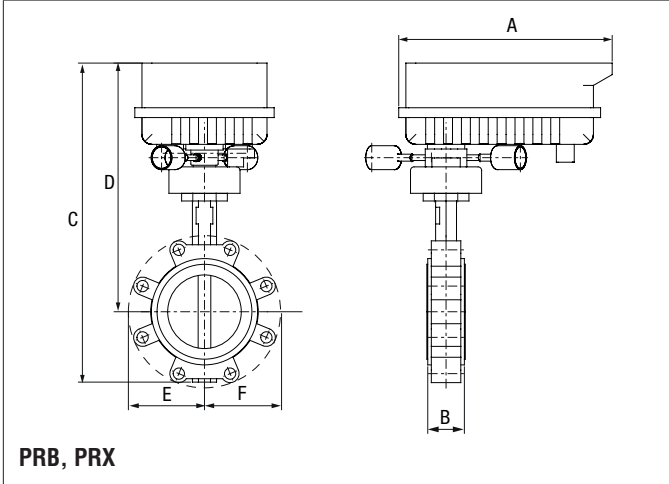


A	B	C	D	E	F
14.1" [358]	2.1" [54]	19.0" [483]	15.2" [387]	4.3" [110]	

# F6100HD Technical Data Sheet

## Resilient Seat, 304 Stainless Steel Disc

### Dimensions (Inches [mm])



PRB, PRX

A	B	C	D	E	F
12.0" [304]	2.1" [54]	17.9" [454]	13.9" [354]	4.3" [110]	

# DRCX120-3 Technical Data Sheet

On/Off, Floating Point, Non-Spring Return, AC 100...240 V



5-year warranty



### Technical Data

Power Supply	100...240 VAC, $\pm 10\%$ , 50/60 Hz
Power consumption in operation	5 W
Power consumption in rest position	2 W
Electrical Connection	(2) 18 GA appliance cables, 3 ft [1 m], 10 ft [3 m] or 16ft [5 m], with 1/2" conduit connectors
Overload Protection	electronic throughout 0...90° rotation
Position indication	Mechanically, pluggable
Manual override	external push button
Running Time (Motor)	35 s, constant, independent of load
Ambient humidity	max. 95% r.H., non-condensing
Storage temperature	-40...176°F [-40...80°C]
Degree of Protection	IP54, NEMA 2, UL Enclosure Type 2
Housing material	UL94-5VA
Maintenance	maintenance-free
Quality Standard	ISO 9001

### Safety Notes

**WARNING:** For Belimo products sold in California: these products do or may contain chemicals which are known to the State of California to cause cancer and or birth defects or other reproductive harms. For more information see [www.p65warnings.ca.gov](http://www.p65warnings.ca.gov).

**Wiring Diagrams**

**✂️ INSTALLATION NOTES**

- Actuators with appliance cables are numbered.
- Provide overload protection and disconnect as required.
- Actuators may be connected in parallel if not mechanically linked. Power consumption and input impedance must be observed.
- Meets cULus requirements without the need of an electrical ground connection.

**WARNING! LIVE ELECTRICAL COMPONENTS!**  
 During installation, testing, servicing and troubleshooting of this product, it may be necessary to work with live electrical components. Have a qualified licensed electrician or other individual who has been properly trained in handling live electrical components perform these tasks. Failure to follow all electrical safety precautions when exposed to live electrical components could result in death or serious injury.

