

Differential Pressure Switches DPS Series

FOR AIR CONDITIONING / VENTILATION, USER-ADJUSTABLE

PRODUCT DATA AND INSTALLATION INSTRUCTIONS



TECHNICAL SPECIFICATIONS

Max. operating pressure	5000 Pa
Pressure media	air, non-flammable gases, and non-aggressive gases
Pressure connections	two plastic tubes, outside diameter: 6.0 mm
Switching capacity	1.5 A, (0.4) /250 Vac
Electrical connections	AMP connectors, 6.3 x 0.8, DIN 46244 or screw terminals
Conduit entry	PG 11
Protection class	IP 54
Mounting lugs	integrated in bottom housing (alternative: mounting angles)
Medium/ambient temp.	-20...+85 °C
Storage temperature	-40...+85 °C
Membrane material	silicone

APPLICATION

Differential pressure switches e.g. for monitoring filter, fan, fire damper, or air flow status of air handling systems.

BENEFITS

- Switching-point easily adjustable with scale in Pascal;
- Direction of PG 11 conduit entry can be rotated in steps of 120°;
- Only one screw needed for housing cover.

APPROVALS

- CE approval according to low-voltage directive EEC 73/23;
- Switch according to VDE 0630;
- EC Gas Appliance Directive 90/396/EEC according to DIN EN 1854 (Nov. 01, 1997)

CONTENTS OF DELIVERY

The delivery includes (in the case of individual packages) the following parts:

- **1 DPS Differential Pressure Switch**
- **1 Data Sheet with installation information**
- **1 DPSK duct kit, consisting of:**
 - 2 m of silicone hosing
 - 2 joining pipes with four screws
 - 2 self-tapping screws for mounting the housing
 - 3 terminal screws for electrical installation

Bulk packages available, upon request.

OPERATING RANGES

type	adjustment range for upper trip pressure*	switching difference (hysteresis)
DPS 200	20...200 (Pa)	10 (Pa)
DPS 400	40...400 (Pa)	20 (Pa)
DPS 500	50...500 (Pa)	20 (Pa)
DPS 1000	200...1000 (Pa)	100 (Pa)
DPS 2500	500...2500 (Pa)	150 (Pa)

*The trip pressure refers to vertical mounting. In case of horizontal mounting (with the cover pointing upwards), the range values increase by 20 Pa.

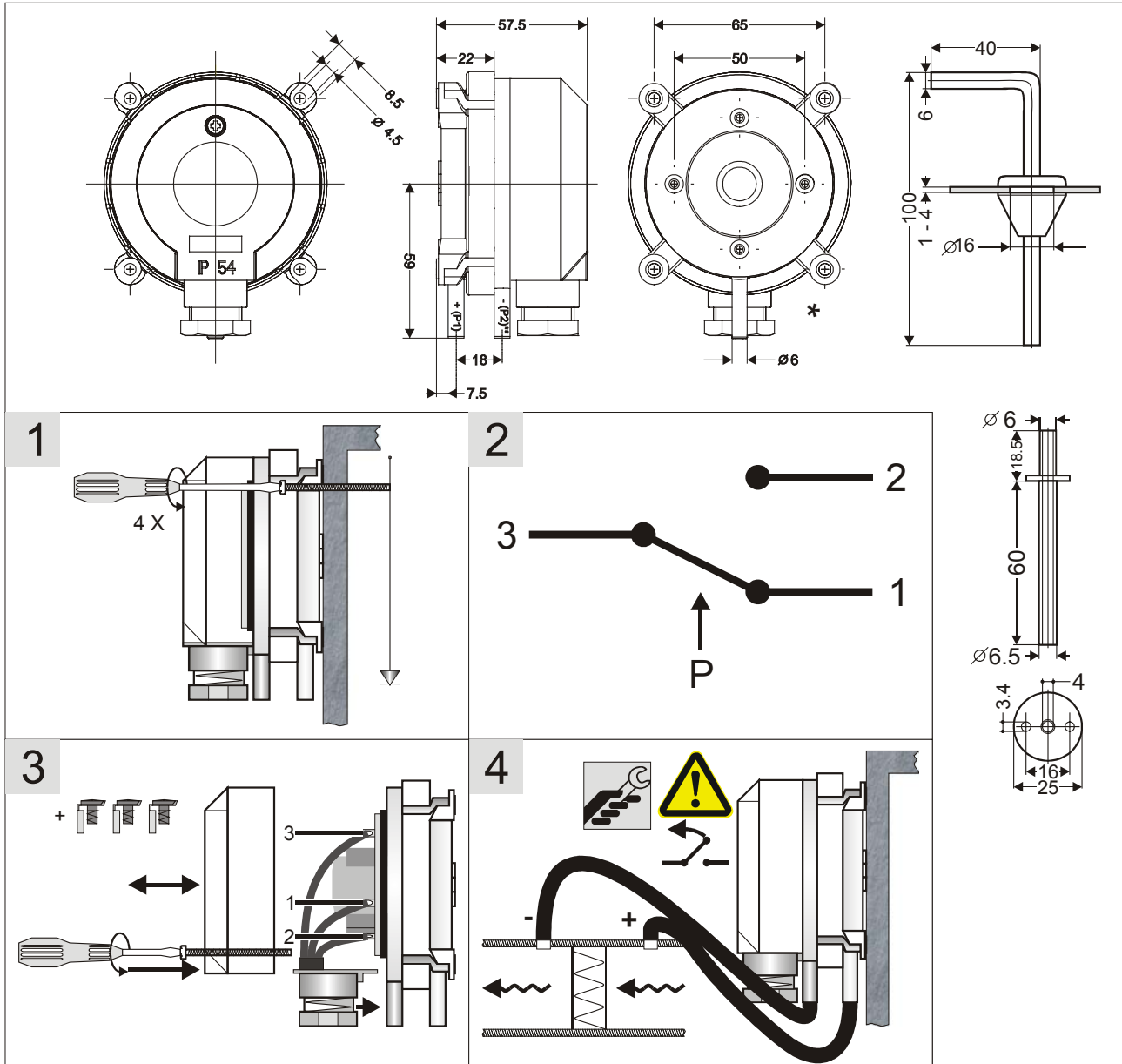
DIMENSIONS

See "Mounting/Einbau/Montage" on page 4.

OPTIONS / ACCESSORIES

- DPST: Set of three screw terminals
- DPSJ: Joining pipe (part of DSPK duct kit)

MOUNTING/EINBAU/MONTAGE



- P1 = higher pressure = höherer Druck = pression haute
- P2 = lower pressure = niedrigerer Druck = pression basse
- *Use two screws, only, for mounting lugs!
- *Zur Befestigung nur zwei Schrauben verwenden!
- * N'utiliser que deux vis pour le montage.
- ** Remove transport protection from P2!
- ** Transportkappe von P2 entfernen!
- ** Enlever le couvercle de transport de P2.

- NOTE:** Do not install upside down with trip pressures of less than 50 Pa!
- HINWEIS:** Bei einem Schalldruck von weniger als 50 Pa darf das Gerät nicht über Kopf montiert werden!
- NOTICE:** Ne pas installer à l'envers si la pression de commutation!



Automation and Control Solutions
 Honeywell GmbH
 Böblinger Str. 17
 D-71101 Schönaich
 Tel.: (49) 7031-637-02
 Fax: (49) 7031-637-850
<http://europe.hbc.honeywell.com>

Änderungen vorbehalten. Gedruckt in Deutschland
 Modifications reserved. Printed in Germany
 MU0B-0073GE51 R0904

Herstellerwerk ist zertifiziert nach **DIN EN ISO 9001**
 Manufacturing location certified to