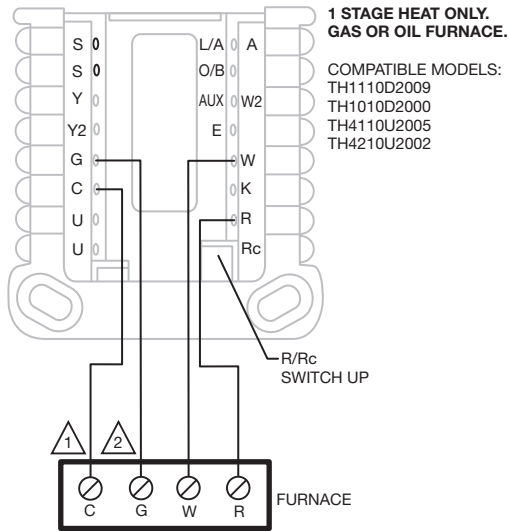


T4 and T1 PRO Wiring Diagrams

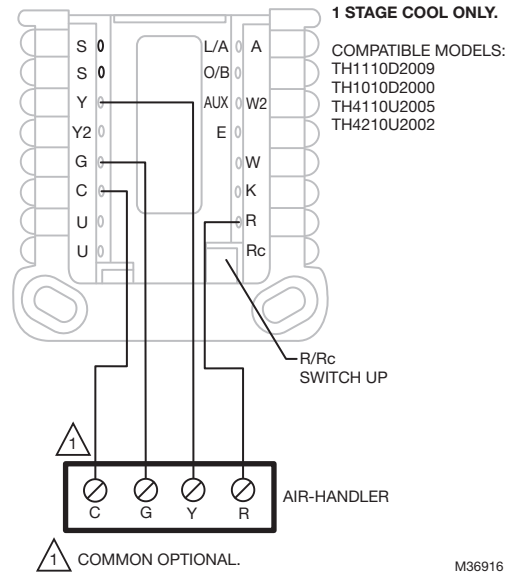
WIRING DIAGRAMS

1 Stage Heat Only: Gas or Oil Furnace

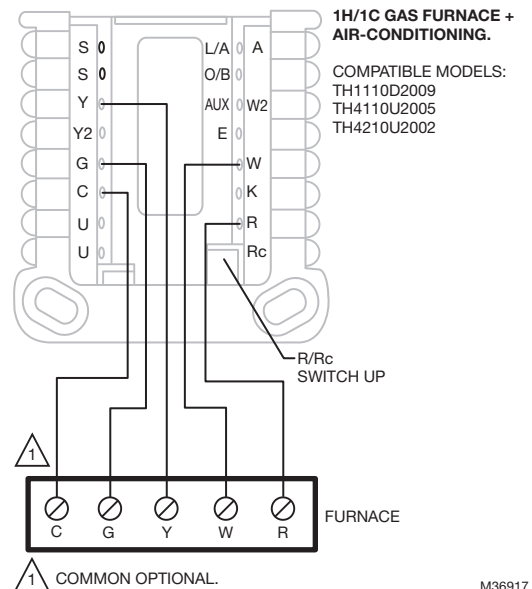


- 1 COMMON OPTIONAL.
 - 2 G USED FOR INDEPENDENT FAN CONTROL ONLY. MOST HEAT ONLY, GAS OR OIL FORCED AIR SYSTEMS DO NOT USE A FAN (G) WIRE.
- M36915

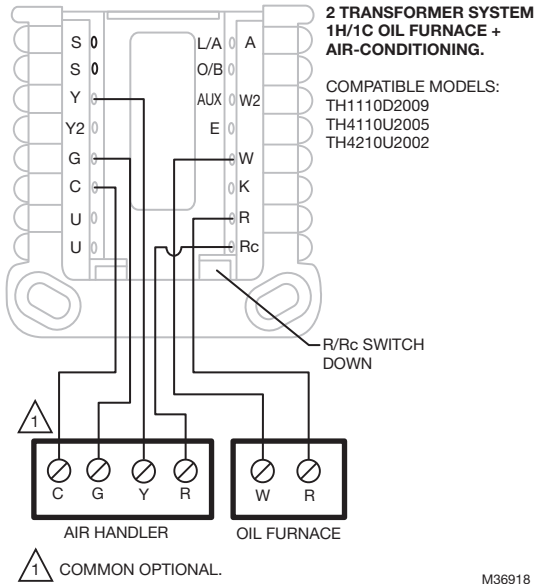
1 Stage Cool Only



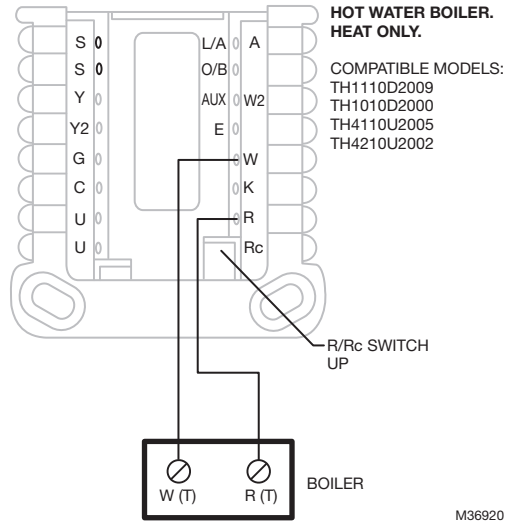
1H/1C: Gas Furnace



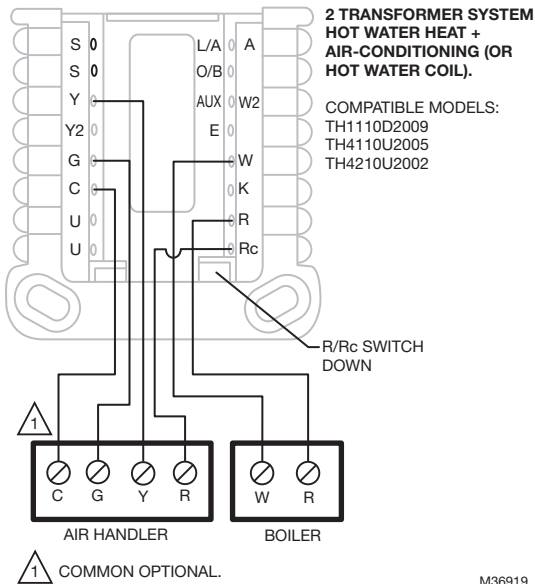
2 Transformer System, 1H/1C: Oil Furnace



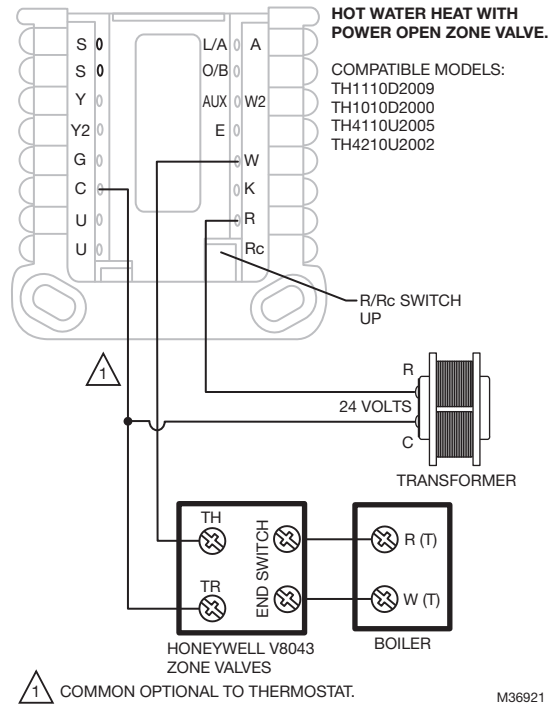
Hot Water Boiler, Heat Only



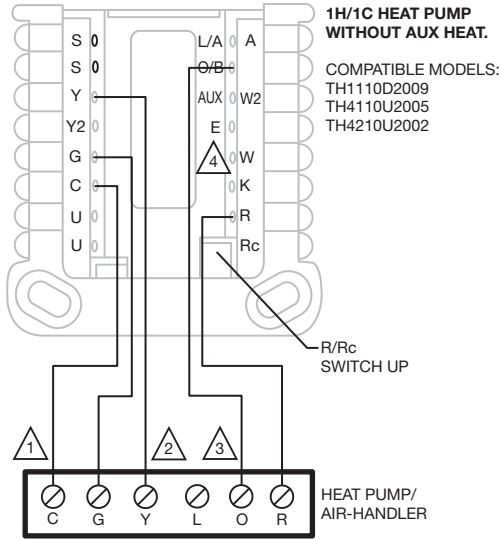
2 Transformer System, Hot Water Heat with Air-Conditioning (or Hot Water Coil)



Hot Water Heat with Power Open Zone Valve

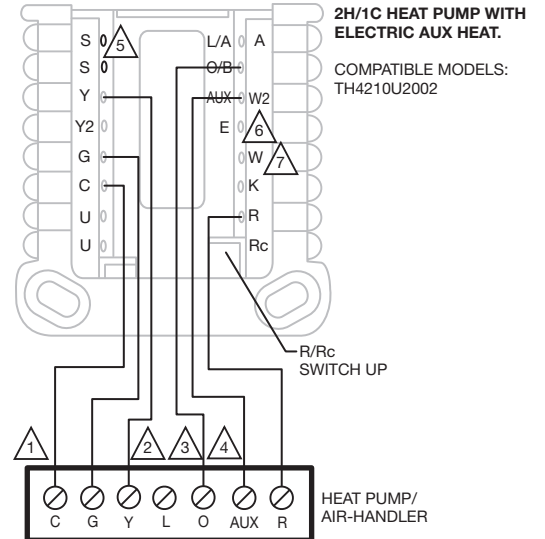


1H/1C: Heat Pump without Aux Heat



M36922

2H/1C: Heat Pump with Electric Aux Heat



M36923

Home and Building Technologies

In the U.S.:

Honeywell

715 Peachtree Street NE

Atlanta, GA 30308

customer.honeywell.com

® U.S. Registered Trademark
© 2018 Honeywell International Inc.
33-00325-01 M.S. 02-18
Printed in United States

Honeywell