

## VS8 Series 2-way/3-way FCU Control Valve

### Product Data



### Technical Specification

#### Actuator

Operating Voltages: 220Vac±10%, 110Vac±10%  
24Vac±10% 50/60Hz

Control mode: Spring Return, Port "A" - Open

Working temperature: 0~50°C

Working relative humidity: 10%~90%RH, non-condensating

Power consumption: ≤7VA

Nominal Timing:

Open: ≤20s

Shut: ≤15s

Protection rating: IP20

#### Application

**VS8** series FCU control valves can be used in residential and office buildings to control the continuity of cold and hot fluids. The FCU control valve is made up of two parts: electric actuator and valve body.

**VS8** series FCU control valve offers a wide range of voltages and screw thread connection standards for different regions. There are two-way and three-way valves to cover most of the building control applications.

#### Valve

Applicable medium: cold or hot water or 50% glycol solution

Fluid temperature: 0~94°C

Operating temperature: 0~50°C

Operating relative humidity: 10%~90%RH, non condensating

Nominal pressure: PN20

Leakage rate: 0.05%kvs

Materials:

Valve body: HPb59-2

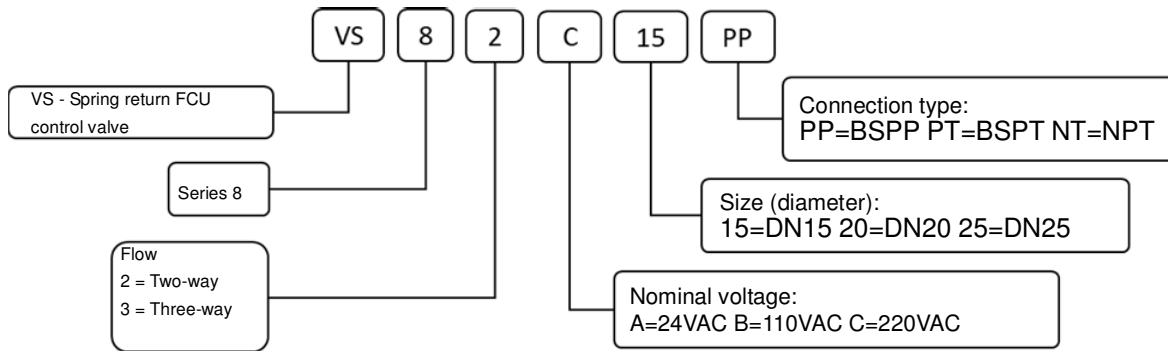
Valve rod: HPb59-2

Valve flap: EPDM

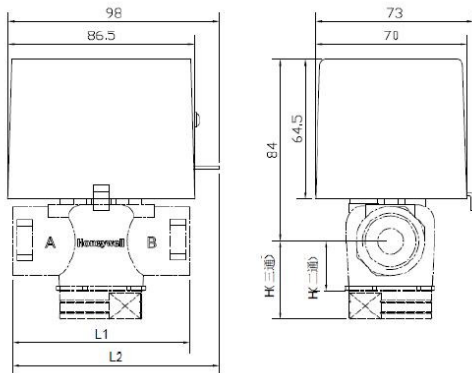
## Ordering Part Numbers (220Vac only)

Part Numbers	Voltage	Flow	Size (diameter)	Connection Type	Nominal Flow Rating (Kvs)	Close-off Differential Pressure
VS82C15PP	220Vac±10%	2	DN15,1/2"	BSPP	1.7±10%	65
VS82C15PT	220Vac±10%	2	DN15,1/2"	BSPT	1.7±10%	65
VS82C15NT	220Vac±10%	2	DN15,1/2"	NPT	1.7±10%	65
VS82C20PP	220Vac±10%	2	DN20,3/4"	BSPP	2.3±10%	50
VS82C20PT	220Vac±10%	2	DN20,3/4"	BSPT	2.3±10%	50
VS82C20NT	220Vac±10%	2	DN20,3/4"	NPT	2.3±10%	50
VS82C25PP	220Vac±10%	2	DN25, 1"	BSPP	3.1±10%	30
VS82C25PT	220Vac±10%	2	DN25, 1"	BSPT	3.1±10%	30
VS82C25NT	220Vac±10%	2	DN25, 1"	NPT	3.1±10%	30
VS83C15PP	220Vac±10%	3	DN15,1/2"	BSPP	1.7±10%	65
VS83C15PT	220Vac±10%	3	DN15,1/2"	BSPT	1.7±10%	65
VS83C15NT	220Vac±10%	3	DN15,1/2"	NPT	1.7±10%	65
VS83C20PP	220Vac±10%	3	DN20,3/4"	BSPP	2.7±10%	50
VS83C20PT	220Vac±10%	3	DN20,3/4"	BSPT	2.7±10%	50
VS83C20NT	220Vac±10%	3	DN20,3/4"	NPT	2.7±10%	50
VS83C25PP	220Vac±10%	3	DN25, 1"	BSPP	3.5±10%	30
VS83C25PT	220Vac±10%	3	DN25, 1"	BSPT	3.5±10%	30
VS83C25NT	220Vac±10%	3	DN25, 1"	NPT	3.5±10%	30

## Product Identification System

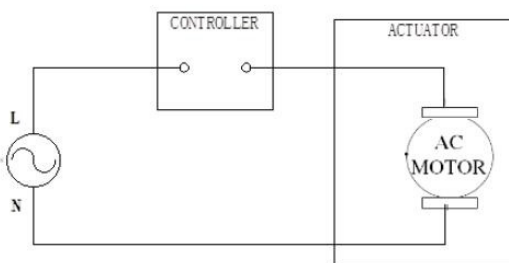


## Dimensions (mm)



Part numbers	Dimensions (mm)		
	L1	L2	H
VS82X15XX	64	87	23
VS82X20XX	82	96	23
VS82X25XX	88	99	26
VS83X15XX	64	87	30
VS83X20XX	82	96	36
VS83X25XX	88	99	41

## Wiring (mm)



**Honeywell**

Honeywell Environmental and Combustion Controls (Tianjin) Co., Ltd.  
 No. 158, Nanhai Road, Tianjin Economic-Technological Development Area  
 Postal Code: 300457  
 Tel: +86-22-66287000  
 Fax: +86-22-25325214

Subject to change without notice.