

# HSM14F – 360° single turn sensor

With a thickness of just 6,2mm this sensor is designed to fit in the smallest spaces. A life expectancy of approx. 100.000.000 operations also stands out. The sensor is typically Sakae, well designed and well produced.

## TECHNICAL SPECIFICATION

Output type	Single, dual, dual independent
Mechanical rotating angle	360° (endless)
Starting torque	Below 5 mN·m (50 gf·cm)
Current consumption	Single output : Max. 16 mA Dual output : Max. 32 mA
Independent linearity tolerance	Within ±1 %FS
Electrical rotating angle	360° (programmable)
Applied voltage	5 VDC ±0,5 VDC
Effective output	10 ±3%~90 ±3% Vin
Dielectric strength	1 minute at 500 VAC
Insulation resistance	Over 1,000 MΩ at 500 VDC
Operating temperature range	-40 °C ~ +105 °C
Index of protection	IP65, IP67 for the incorporated PCB part only
EMS tolerance	100 V/m 80 MHz ~ 6 GHz (According to ISO11452-1 ~ -3)
ESD tolerance	±8 kV Contact discharge / ±15 kV Air discharge (It applies to IEC 61000-4-2)
Mechanical life expectancy	Approx. 100,000,000 shaft revolutions
Mass	Approx. 11g
B10d	137.800.000
MTTF	1037,6 years

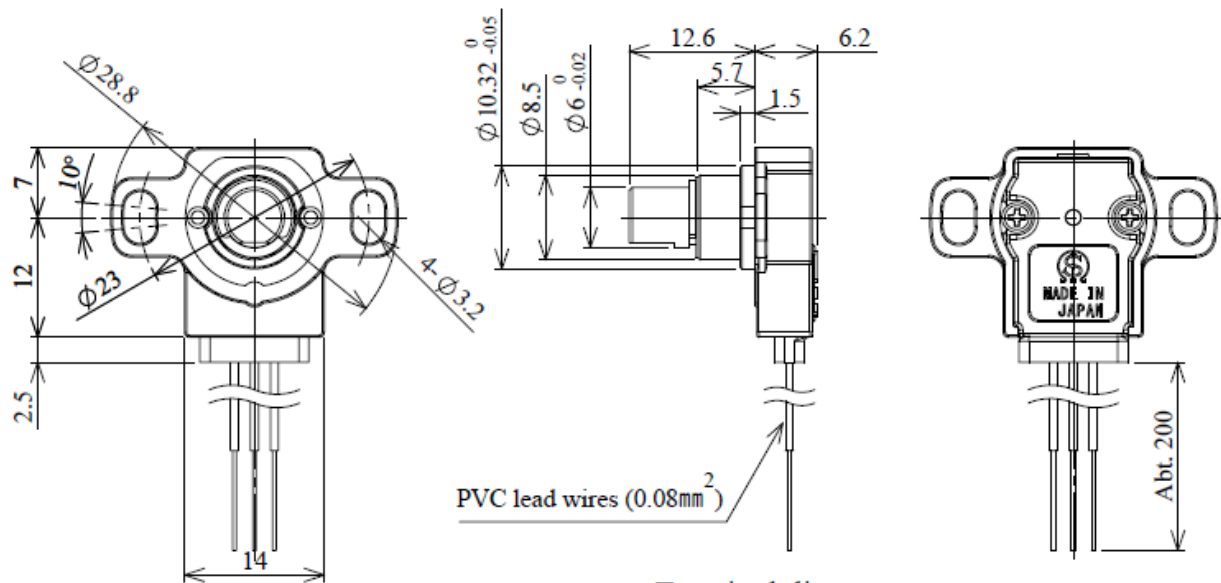


### Use caution:

Organic solvents such as acetone oil or alcohol solutions such as ethanol droplet could leave chemical burn scars on plastic surfaces. Any environments where chemical proofs (Organic solvent resistance, alcohol resistance, etc.) are required, extra caution should be exercised.

Please note: This illustration shows only one example of a variety of existing variants.

Customer specific variants are possible on request.



### Terminal diagrams

### Output Characteristics

