

HALL POTENTIOMETER POH 120



The POH 120 is small and robust and features a freely programmable rotary angle. The measurement principle is via Hall effect as absolute measuring rotary sensor even after blackout. The POH series is available with a decoupled axis or integrated axis.

FEATURES

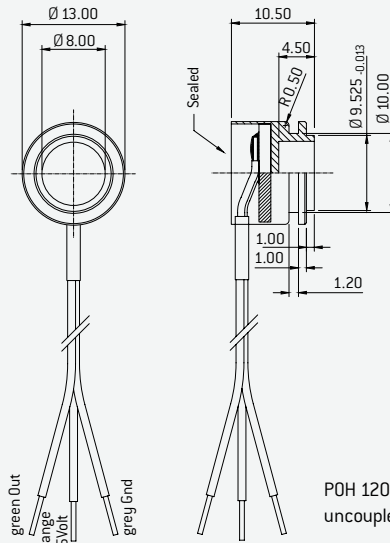
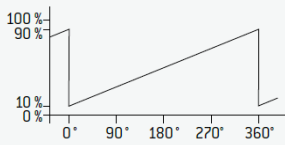
- Long lifetime
- Size \varnothing 13 mm

APPLICATIONS

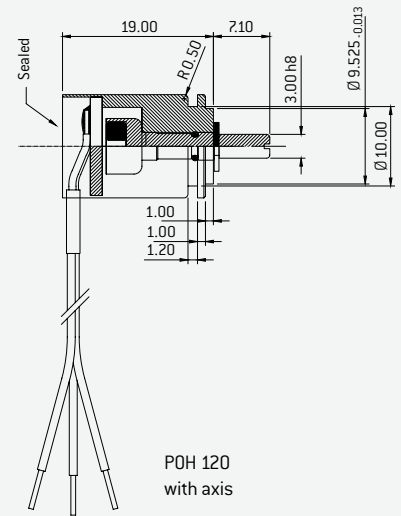
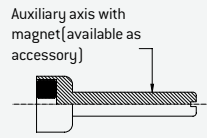
- Valve controls
- Joysticks
- Steering angle measurement
- Servo systems

SPECIAL FEATURES

- Hall sensor
- Compensation for play and tolerance by decoupled axis possible
- Freely programmable angles possible
- Load free drive when axis is uncoupled



POH 120
uncoupled axis



POH 120
with axis

ELECTRICAL SPECIFICATIONS

Measuring range	0 – 360° programmable
Independent linearity	± 0.5 %
Resolution	12 bit < 0.1°
Supply voltage (Vs)	5 (± 10 %) VDC
Output signal	10 % ... 90 % of Vs
Current consumption without load (typical)	18 mA
Min. ohmic load at output	10 kOhm
Max. capacitive load at output	10 nF
Electrical connection	Tinned cable wires
Operating temperature	–40°C ... +85°C *

MECHANICAL SPECIFICATIONS

Mechanical positioning range	360° continuous rotation
Bearing	Slide bearing / uncoupled load free
Min. lifetime (mechanical)	200 million cycles
Protection class	IP 65 with axis / IP 67 uncoupled load free (according to DIN EN 60529)

MATERIALS

Housing material	Stainless steel
Axis material	Brass (nickel plated)

AMBIENT CONDITIONS

Operating temperature	–40°C ... +85°C *
------------------------------	-------------------

Mechanical and electrical characteristics are customizable. Specifications are subject to change without notice. * Others on request.

SAMPLE ORDER

	Part no.	Type series	Elect. measuring range	Elect. connection
POH 120 with axis	E050200120	POH	360°	Wire connection
POH 120 with uncoupled axis	E050200121	POH	360°	Wire connection