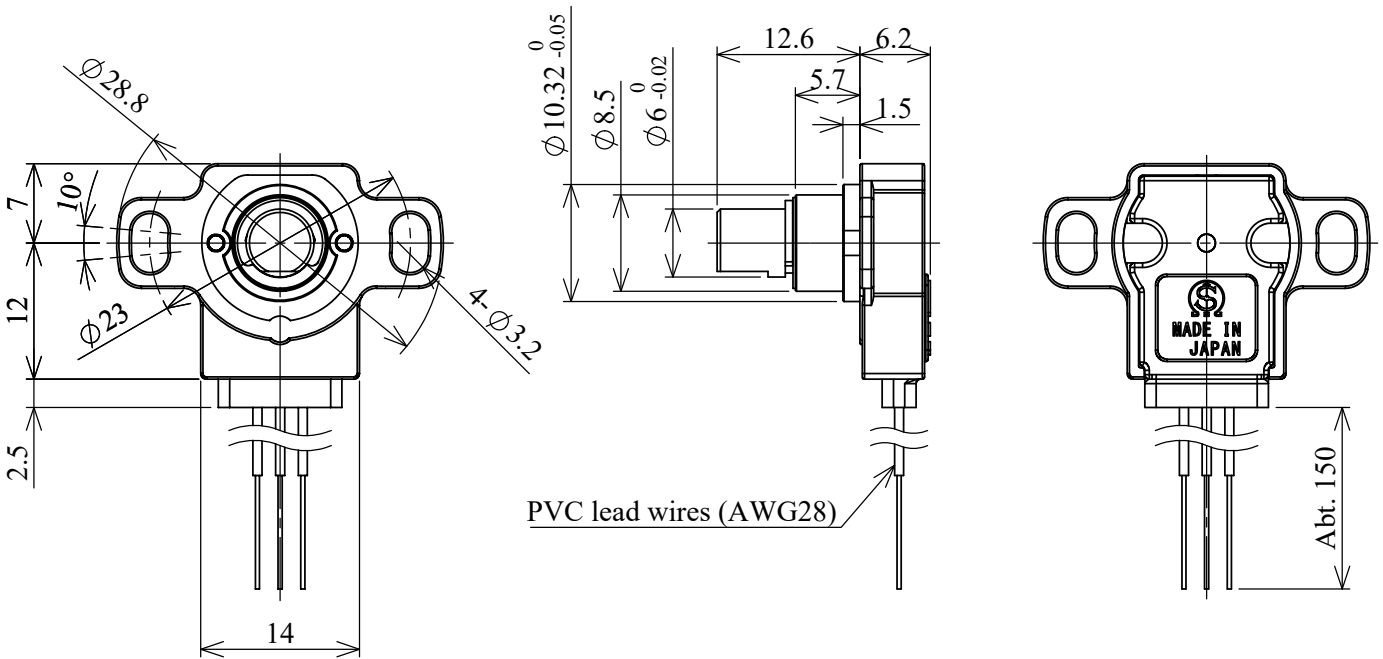
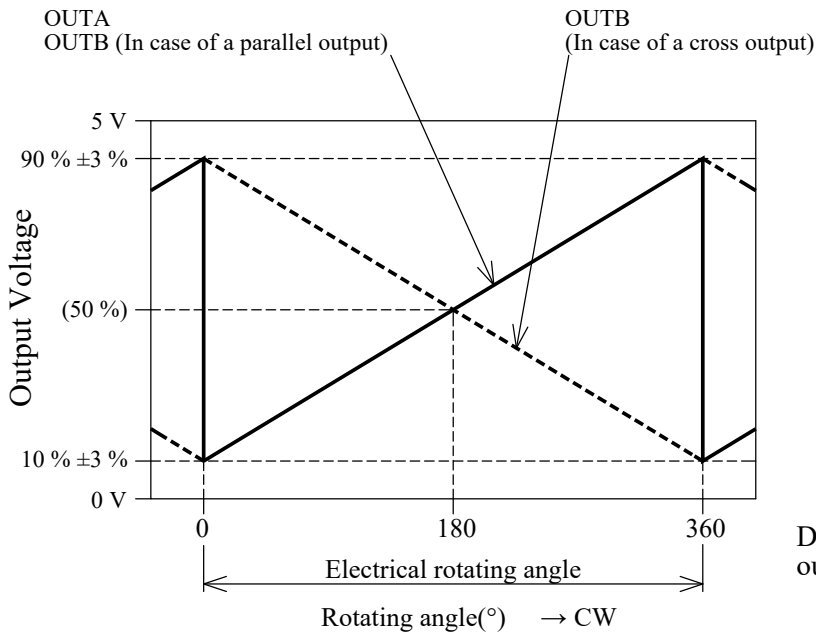


HSM14F Specifications (Draft version)

- Output type Single output, Dual output, Dual independent output
- Mechanical rotating angle (機械的回転角度) 360° (Endless)
- Starting torque (回転トルク) Below 5 mN·m (50 gf·cm)
- Current consumption (消費電流) Single output : Max. 16 mA
Dual output : Max. 32 mA
- Independent linearity tolerance (単独直線性) Within ±1 %FS
- Electrical rotating angle (電気的回転角度) 360° (Endless)
- Applied voltage (印加電圧) 5 V. D. C. ±10 %
- Effective output (出力電圧範囲) 10 ±3 % ~ 90 ±3 % Vin
- Dielectric strength (絶縁耐力) 1 minute at 500 V. A. C.
- Insulation resistance (絶縁抵抗) Over 1,000 MΩ at 500 V. D. C.
- Operating temperature range (使用温度範囲) -40 °C ~ +105 °C
- Index of protection (防護構造) IP65 for the incorporated PCB part only
- EMS tolerance (EMS耐性) 100 V/m
- ESD tolerance (ESD耐性) ±8 kV Contact discharge / ±15 kV Air discharge (It applies to IEC 61000-4-2)
- Mechanical life expectancy (回転寿命) Approx. 20,000,000 shaft revolutions
- Mass (質量) Approx. 11 g



Output Characteristics



Terminal diagrams

