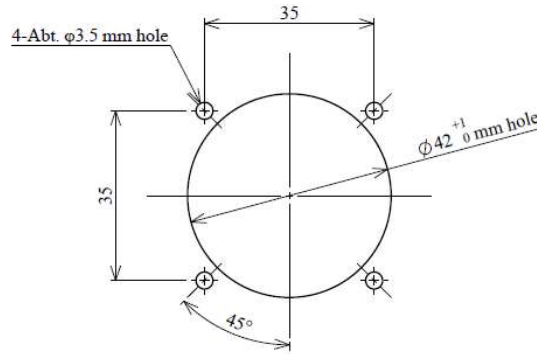
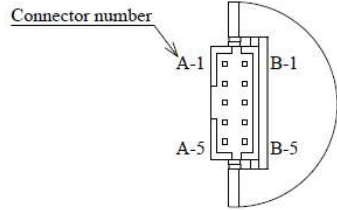


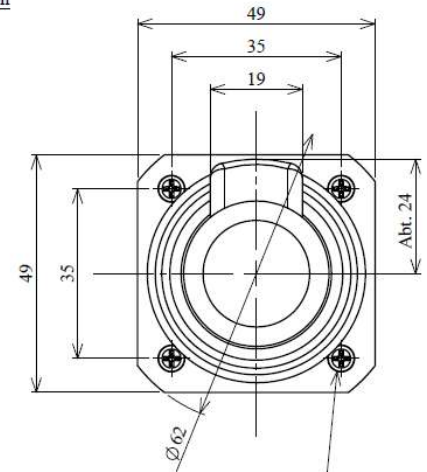
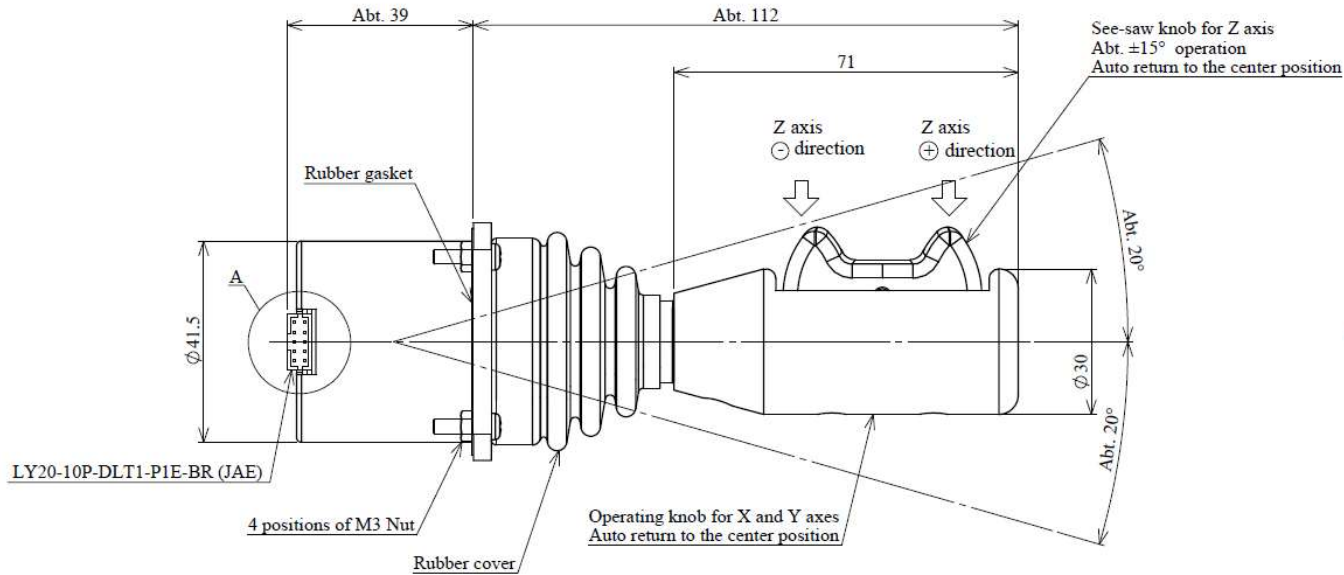
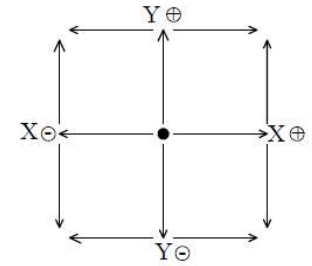


PANEL ARRANGEMENTS

Detailed view of the area "A"



DIRECTION OF LEVER OPERATION



4 positions of fixing screw  
pan small screw,  $\oplus$  M3 $\times$ 12

Mating wire harness attached  
(Leadwires are equivalent to AWG24)

