



# 1.5-3.5T Four Wheel Electric Forklift

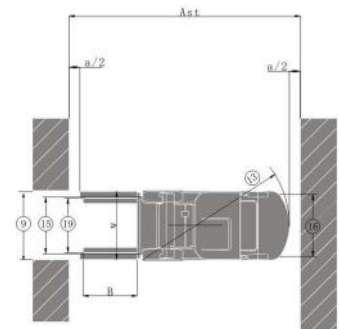
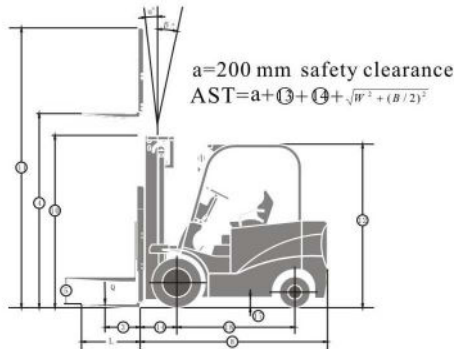
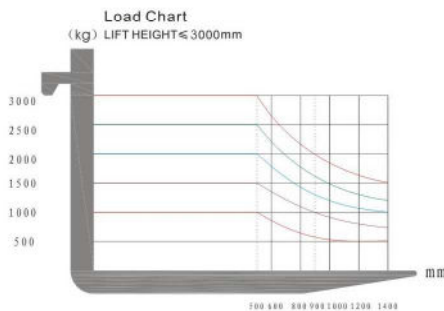


HANGZHOU SAMUK FORKLIFT CO.,LTD

# SAMUK FORKLIFT SPECIFICATION

## S series 1.5-3.5t Four Wheel Electric Forklift Specification

1			Model	FB15-SJZ	FB18-SJZ	FB20-SJZ	FB25-SJZ	FB30-SJZ	FB35-SJZ		
Specification	2		Rated capacity	kg	1500	1800	2000	2500	3000	3500	
	3		Load centre	mm	500		500		500		
	4		Lifting height	mm	3000		3000		3000		
	5		Free lifting height	mm	135		160		165	170	
	6		Fork size	L×W×T	920×100×35		1070×122×40		1070×125×45		
	7		Tilting angle	F/R (α/β°)	6/12		6/12		6/12		
	Dimensions	8		Length(to forkface)	mm	2140	2185	2375	2400	2615	2670
9		Width	mm	1080		1150		1230			
10		Height when mast lowered	mm	2015		2010		2075	2150		
11		Height when mast extended	mm	3984		3990		4100	4160		
12		Height to safeguard	mm	2130		2110		2150			
13		Turning radius	Min.	mm	1956	1993	2080	2100	2280	2335	
14		Front overhang	mm	400		460		485			
15/16		Tread	F/R	mm	890/920		960/950		1000/980		
17		Ground clearance	Min.	mm	110		130		130		
18		Wheelbase	mm	1380		1500		1680			
19		Fork spread	Min./Max.	mm	200/890		250/1040		250/1100		
20		Working aisle width with pallet(Ast)*	1000×1200 crossways	mm	3556	3593	3810	3830	4035	4090	
21			800×1200 lengthways	mm	3756	3793	3940	3960	4165	4220	
Performance		22		Travel(Laden)	km/h	13		11		12	
	23		Travel(Unladen)	km/h	13		12.5		13		
	24		Lifting(Laden)	mm/s	290		290		250		
	25		Lifting(Unladen)	mm/s	440		440		400		
	26		Gradeability	Laden	%	15		15		15	
	27			Unladen	%	15		15		15	
	28		Service weight	Include battery box	kg	2950	3230	4130	4300	5060	5380
	29		Tyre	Front×2		6.50-10-10PR		7.00-12-12PR		28×9-15-12PR	
30		Rear×2			5.00-8-8PR		18×7-8-14PR		18×9-8-14PR		
Driven	31		Motor	Driven motor	kw	7.5		11		12	
	32			Pump motor	kw	9.2		11		12	
	33		Battery	Standard(Optional)	V/Ah	48/450		48/600		80/500	
	34		Controller	Type		AC		AC		AC	
	35			Manufacturer		ZAPI		ZAPI		ZAPI	
36		Operating pressure for attachment		Mpa	14.5		17.5		17.5		



HANGZHOU SAMUK FORKLIFT CO.,LTD  
 Address:Lushan Industrial Area,Fuyang, Hangzhou,Zhejiang ,311407,China

Tel:+86-571-28001565  
 Website:www.samuklift.com

Fax:+86-571-28001570  
 E-mail:sales@samuklift.com

