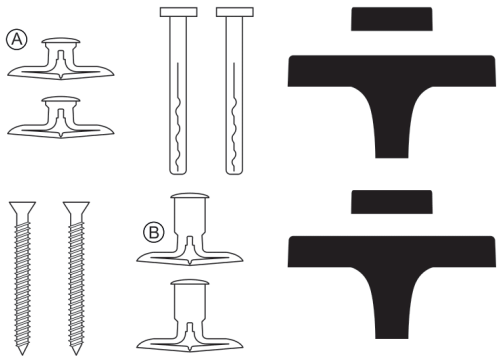
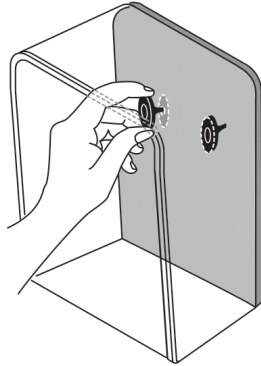


Contents

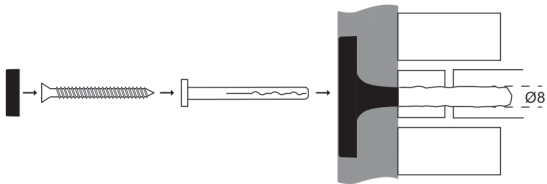


Installation Guide

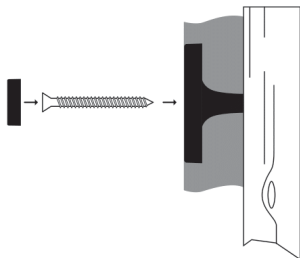
Start by mounting the plastic bushings in the cabinet's back wall. Next fasten the cabinet, by following the instructions below



Brick/Concrete



Wood



Plaster Wall

