

# SAB-225

Magnetic Mount Solution  
for Trials and Drive-Testing

PANORAMA ANTENNAS

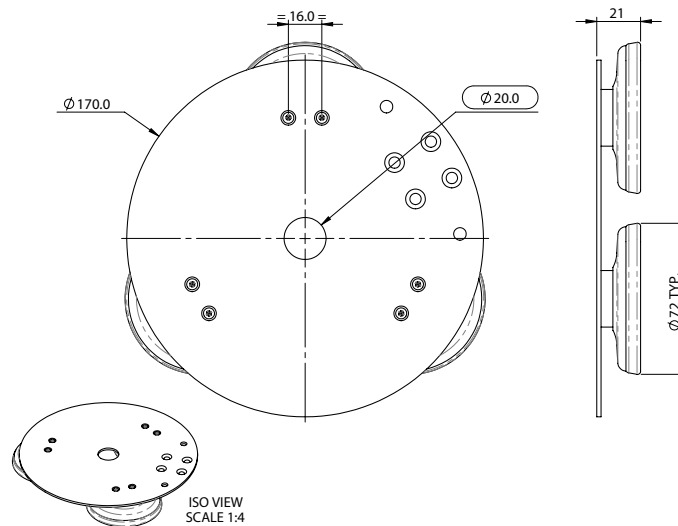
## SAB-225



For use with the LPMM/LGMM range of low profile MiMo antennas, the SAB-225 provides a magnetic mount solution for antenna trials and drive-testing.

Using three heavy duty magnets fitted to a stainless steel metal plate, this is a very easy, simple and quick solution that can be fitted anywhere on the vehicle to evaluate the antennas performance without drilling any holes.

### Product Images



### Part No.

SAB-225

### Mechanical Data

Clearance (mm)	21mm (0.82")
Max panel thickness/ridge height (mm)	6.5mm (0.25")
Diameter (mm)	170mm (6.7")
Fixing	M3 x 8 long, pozi drive stainless steel screws
Material	Stainless Steel
Colour	Natural Finish

PANORAMA ANTENNAS

Panorama Antennas Ltd  
Frogmore, London, SW18 1HF, United Kingdom

Waiver: The data given above is indicative of the performance of the product/s under particular conditions and does not imply a guarantee of performance. These specifications are subject to change without notice. Copyright © Panorama Antennas Ltd. All rights reserved.

T: +44 (0)20 8877 4444  
F: +44 (0)20 8877 4477  
E: sales@panorama-antennas.com  
www.panorama-antennas.com