



**EMCOM XPOL
CPE antenna
User Guide**

Version: 1.0

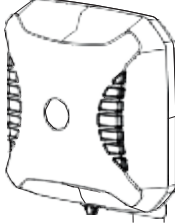

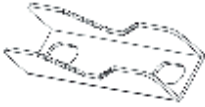


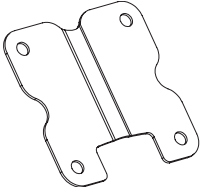
Index

1.	Packing Check List	3
2.	Introduction	5
3.	Mounting	5
4.	Antenna Alignment	8
5.	Mounting Precautions	9
6.	Cable Routing	9
7.	Safety	10

1

Packing Check List

Vare	Beskrivelse	Antall
1.	EMCOM XPOL CPE antenna	1
2.	M6x60mm U-bolt ss	1
3.	Econo bracket ss	1
4.	M6 nuts ss	2
5.	M6x12mm bolts ss	4
6.	M6 washers ss	6
7.	Z-bracket	1
8.	Back Plate	1

The appearance of each component	
EMCOM XPOL CPE antenna	
	
M6x60mm U-bolt ss	
	
Econo bracket ss	
	
M6 nuts, bolts and washers	
	
Z-bracket	Back plate
	

2 Introduction

EMCOM XPOL is a unique wall or pole mountable, high gain, dual polarized LTE antenna which covers the bands 650-960/1710-2170/2500-2700 MHz.

Incorporating two separately fed ultra-wideband elements in a single housing, the antenna is equipped to provide client-side MiMo and diversity-support for the networks of today and tomorrow.

This is a cost-effective solution for enhancing signal reception and throughput. The XPOL-2 antenna increases signal reliability, ensures higher data throughput for users and provides a stable, high quality connection.

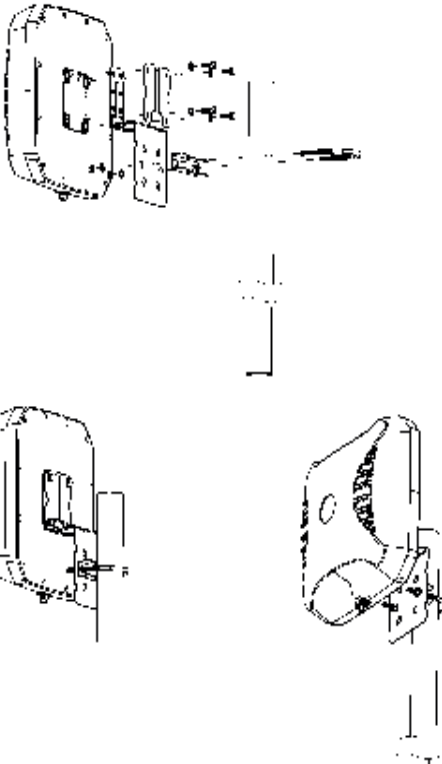
3 Mounting

Follow the instructions below for installation.

- Lay the antenna out at the installation site.
- Screw the back plate to the rear of the antenna with four nuts and washers. Leave an opening for the Z bracket, where the thinnest end of the bracket is to be inserted between the antenna and the back plate.

1. Pole Mounting

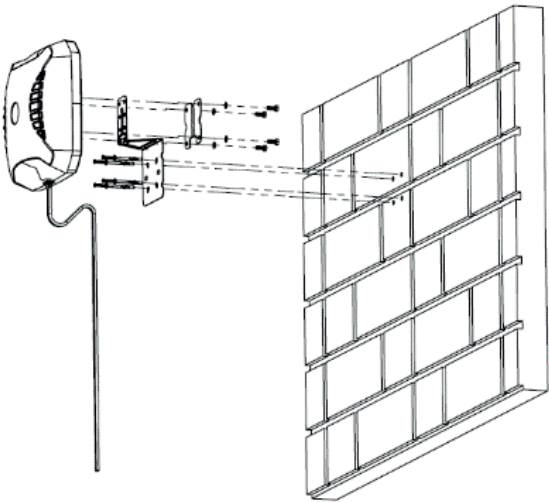
- Firmly tighten the back plate after the Z bracket is threaded between the antenna and the back plate.
- The U-bolt attaches to the tube, the Econo bracket and then through the two middle holes at the wide end of the Z bracket. Screw from the other end with two nuts and washers.



3 Mounting

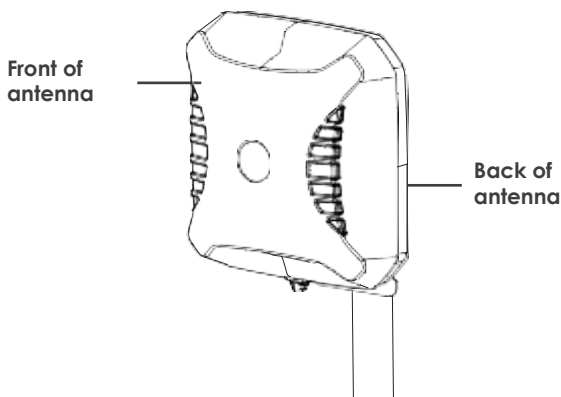
2. Wall Mounting

- Attach the wide part of the Z bracket to the wall. Use four M6 screws of appropriate length (not included).
- Attach the antenna to the bracket by bringing the narrow end of the Z bracket between the antenna and the back plate.
- Tighten the screws firmly to the back plate.

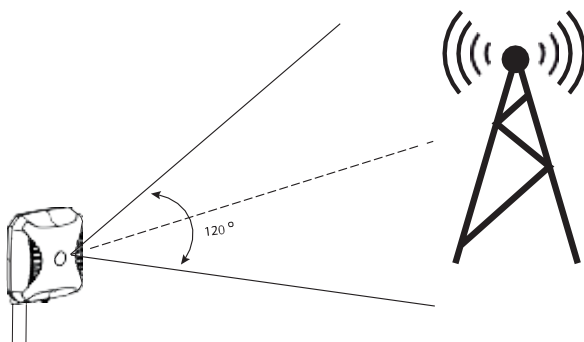


4 Antenna Alignment

- Use appropriate equipment (signal meter or App) to locate the nearest cellular tower in your location as well as the greatest signal strength for the antenna to draw upon.
- Once you have located the tower, point the main center beam of your antenna in the general direction of the cell tower.



4 Antenna Alignment



- To optimize the antenna alignment, rotate the antenna left and right in 30° increments until you get the best signal strength reading. Lock the antenna down at the position where you get the best signal strength.

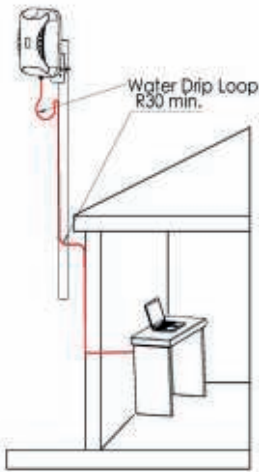
Note: When rotating the antenna, be sure to let go of the antenna as this may give inaccurate readings.

5 Mounting Precautions

- Place the antenna at the highest point possible and ensure that there aren't any surrounding obstructions to the antenna.
- To avoid communication interference, ensure that the antenna is placed at least 0.5m away from other antennas and metal objects.
- Install the antenna away from heat sources and flammable gases.

6 Cable Routing

- If the antenna is mounted on a pole, avoid wrapping the cables around the pole. Route the antenna cables straight down the inside of the pole to avoid using extra equipment such as cable ties.
- Never pull on the cable connectors; pull only on the cable ensuring the cable is not under tension.
- The allowable cable bend radius is 30mm.
- Cover connectors with insulation tape before threading them through a hole.



7 Safety

- If you are installing an antenna for the first time or unsure about how to install your antenna, obtain the help of a professional installer.
- Carefully survey the installation site before installation to locate secure handholds, dangerous conditions (such as power lines and weak roofs) and the safest and most convenient placement for ladders if necessary.
- When installing your antenna, remember:
 1. Do not install near power lines as they can electrocute you.
 2. Do not install on a wet or windy day or when lightning or thunder is in the area.
 3. Wear shoes with rubber soles and heels and protective clothing (long sleeve shirt or jacket) and rubber gloves.
 4. Avoid operating while under the influence of drugs, alcohol or medication.
 5. Make sure that any loose fitting jewelry or clothing is secured and tie back long hair as they can get caught in moving parts during installation.
 6. If the antenna assemble starts to fall, get away from it and let it fall to avoid harm to yourself.

7 Safety

- When drilling, remember
 1. Use safety goggles when drilling the holes.
 2. Avoid using bits that are dull, bent or damaged.
 3. Be aware of where your fingers are in relation to the drill bit when using the drilling machine.
 4. To stop the drilling machine, let the drill chuck come to a complete stop on its own. Do not grasp the chuck to stop the drill bit.
 5. Avoid awkward hand positions where a sudden slip could cause a hand to move into the drill bit or cutting tool.

CAUTION:

Antennas must be installed to provide a separation distance of at least 20cm from all persons to comply with SAR (Specific Absorption Rate) RF Exposure requirements.



European Waste Electronic Equipment Directive 2002/96/EC

Please ensure that old waste electricals and electronics are recycled.



Directive 2011/65/EU (RoHS2)

This product is fully compliant with the RoHS 2 directive.

