


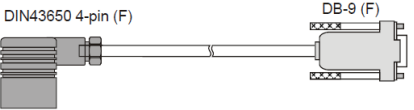
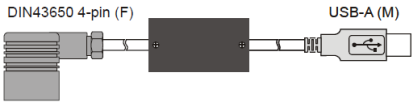


Interface Cables

Code	Schematic	Interface		Application
		side "A"	side "B"	
K1		BASI device	RS232 (PC)	Configuration: BTT786-B, BTT783-B, BTT781 Software: "TraCon" v1.16 or higher
K2		BASI device	RS232 (PC)	Configuration: BTT785-C, BTT786-C, BUSC7801 Software: "TraCon" v1.16 or higher
K1U		BASI device	IA250T	Configuration: BTT785-B, BTT786-B Software: "TraCon" v2.0 or higher
K2U		BASI device	IA250T	Configuration: BTT785-C, BTT786-C, BUSC7801 Software: "TraCon" v2.0 or higher
K3		BASI device	RS232 (PC)	Configuration: BTT785-C Software: "TraCon" ⁽¹⁾
K4		BASI device	RS232 (PC)	Configuration: old BTT785-B Software: "TraCon" ⁽¹⁾
K5		BASI device	RS232 (PC)	Configuration: old BTT785-B Software: "TraCon" ⁽¹⁾
K6		IA100 interface adapter	RS232 (PC)	Standard RS232 cable
K7		RS232	RS232 (PC)	Standard RS232 cable
K8		USB 2.0 standard	USB 2.0 standard	Standard USB cable
K9 ⁽¹⁾		BASI device	RS232 (PC)	Configuration: BRHV, BFS200, BTT787 Software: "TraCon" ⁽¹⁾
K9U		BASI device	USB (PC)	Configuration and power supply: BRHV, BFS200, BTT787 Software: "TraCon" ⁽¹⁾
K10U		BASI device with RS485	IA250N	Configuration: BASI devices Software: "PolyMonitor"
K11U		BASI device	USB (PC)	Configuration: BTT786-B, BTT783, BTT781 Software: "TraCon" v2.0 or higher
K12U		BASI device	USB (PC)	Configuration: BTT786-C, BTT783-C, BUSC7801 Software: "TraCon" v2.0 or higher
K13		OT801 serial printer	IA300	Configuration: IA300 data-logger Software: "InfoPrint"

⁽¹⁾ Contact BASI

Code	Schematic	Interface		Application
		side "A"	side "B"	
K14		USB 2.0 standard	USB 2.0 standard	Standard USB cable
K15U		BASI device	USB (PC)	Configuration: old BTT785-B Software: "TraCon" ⁽¹⁾
K16U		current loop	USB (PC)	Power supply: 15 VDC, max. 60 mA
K19 *		BASI device	RS232 (PC)	Configuration: BTT787 Software: "TraCon" ⁽¹⁾
K19U		BASI device	USB (PC)	Configuration and power supply: BTT 787 Software: "TraCon" ⁽¹⁾