

- 0/4-20mA, 0/1-5, 0/2-10VDC or
- Pt100, Pt500, Pt1000 input
- Thermocouple K, S, J, E, N, R, B, E
- Input linearization \sqrt{X} , X^2 or 20 point
- Volume characteristics of cylindrical tanks.
- Transmitter supply 24VDC
- 2 relay or OC output (Option)
- Isolated Current output (Option)
- RS-485 / Modbus RTU
- Remote controller (option)
- Self-diagnostic
- 3-way isolation

DESCRIPTION

The BDI118 features easy operation, functional programming menu and a clear 4-decade, 20-millimetre LED display. Tight case with high protection class (IP65) makes it an ideal choice for heavy-duty applications. The current has a protection safeguarding the measuring resistor against damage. The BDI118 indicator can also be ordered with Thermocouple K, S, J, T, N, R, B, E or Pt100, Pt500 and Pt1000 input. The device operates in the following modes: linear, root, square and user defined (max. 20 points). The relay output can be controlled according to one or two threshold values. The settings can be changed without opening the tight case, by an infrared remote control.

SPECIFICATIONS GENERAL

Construction : Design for field mounting IP65 ABS+ fibreglass

Wiring : Screw terminals

Housing : IP65

Isolation : Input to output to supply (3-way)

Indication : 4-digit red LED, height, 20mm

Keyboard : 4 membran keys

INPUT

RTD Pt-100,500 & 1000 : -100 – 600°C

TC K,S, J, T, N, R, B, E : -200 - 1820 °C

Voltage : 0/1-5, 0/2-10VDC

Current : 0-20, 4-20mA

Resistance : Voltage 50k Ω mA 55 Ω

Scaling : -999 to +9999

OUTPUT

Relay : 2

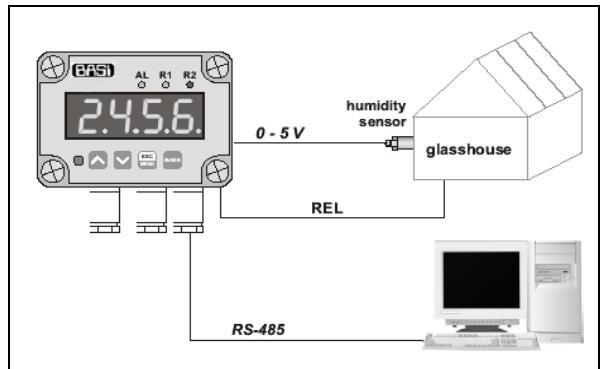
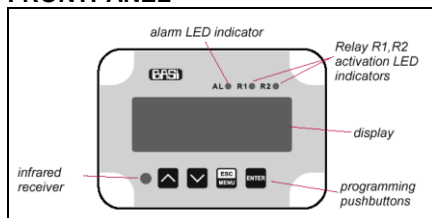
Contacts : 250VAC, 1A

Relay : 10⁷ operations

Current : 2,8 – 24mA (12 bits)

Sensor supply : 24VDC/100mA

Communication : RS485 , 8N2/ MODBUS RTU isolated
Baud rate 1200 to 115200 bit/s

FRONTPANEL

INSTALLATION

Supply : 85-260VAC/DC, 16-35VAC, 19-50VDC

Power consumption: 5VA/AC, 5W/DC

Operating temp : 0 to +50°C (-20 to +50°C option)

Storage temp : -10 (-20) to +70°C

Size : W110 x H80 x D67 mm

Weight : 350g

PERFORMANCE

Accuracy error : < $\pm 0.1\%$ FS

Protection : IP65

Isolation : Input to output to supply (3-way)
2300VDC/AC peak

Front programmable, Input scaling, Linearization, alarm setting.

Observed authority requirements : CE-marking

ORDER INFORMATION
BDI118

INPUT	OUTPUT	SUPPLY	OPTION
18 mA/V	0 None	13 24VAC/DC	001 None
13 RTD	21 2 x relay	14 85-260VAC/DC	081 -20 to 50C
1A TC	22 2 x OC		
	29 1 x relay + mA		
	2A 1 x OC +mA		

For remote controller order IR programmer SIR-15



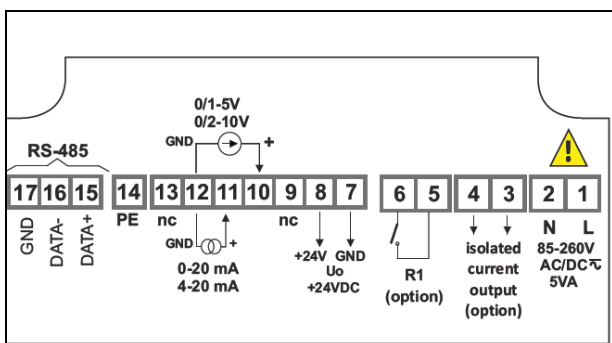
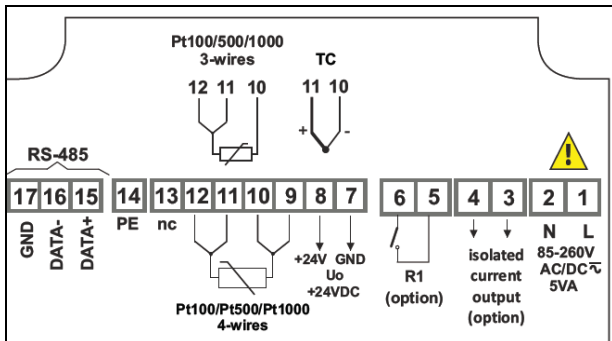
We are pleased to announce that we have recently added to BASI meters range a new feature, **the volume characteristics of cylindrical tanks.**

The following combinations of tank shapes for volume calculation are now possible:

cylindrical tank in vertical position							
cylindrical tank in horizontal position							
parameter s setting (for vertical and horizontal position of tank)	t h2=0 t h3=0	t h3=0	t h2=0	t h1=0 t h3=0	-	t h1=0	t h1=0 t h2=0

The new feature is available with the following products: **BDI49, BDI 73, BDI 77, BDI94, BDI 147, BDI 457, BDI118.**

CONNECTION



BASI Instrument AB
P.O. Box 53

Tel: +46 40-880 09
SE-275 06 VOLLSJÖ...SWEDEN

Fax: +46 40-92 98 77
E-mail: info@basi.se

Universal intelligent indicator

BDI118

No. DS 61:4-E Issue: 3 26/11/13