



Ultrasonic Level Transmitters BULT200

- Non-contacting measurement with no moving parts
- Output 4-20mA + HART
- Integral LCD and push-buttons as standard for on-site programming
- Continuous measurement of level or distance-to-surface.
- Easy to install and configure
- Rugged aluminum housing, and ABS/PVC/PTFE wetted material
Protection IP67
- Two-wire direct current loop-powered

MEASUREMENT PRINCIPLE

The BASI BULT200 Series is a liquid level transmitter based on ultrasonic technology that is suitable for many liquid and solid applications. Ultrasonic pulse signals are transmitted and reflected from the liquid or solid surface. The transmitter 'listens' for reflected signals (echoes) and measures the time-delay between transmitting and receiving. The distance to the liquid surface is automatically calculated using the computed time-delay. An integral temperature sensor continuously measures the air temperature around the transmitter. It then computes the speed of sound in air, automatically compensating the Distance for temperature effects. The distance measurement can be sent through the 4-20 mA output.

TECHNICAL SPECIFICATIONS

Range : 0-4, 0-6, 0-8, 0-10, 0-15, 0-20 and 0-30m (1)
Dead zone : 0,2, 0,25,0,3, 0,4, 0,6, 1,2 and 1,4m
Beam Angle : 8°(3db) for range :4m 6m 8m
 5°(3db) for range :12m 15m 20m 30m
Measuring cycle: 1 second
Damping : 1 Adjustable
Output signal : Two-wire 4-20 + HART
Power supply : 20 - 32 VDC 30mA
Load limitation : 0 - 500Ω for 24VDC
Indicator : LCD indicator
Protection : IP67 weather-proof
Zero and span : Push button adjustment
Ambient temp : -40 to 80 °C
Temp. Comp. : whole range
Pressure : ±0,1Mpa (1bar)
Humidity limits : 0 - 100% RH
Configuration : By 3 pushbutton on the transmitter

Performance Specifications

Resolution : 1mm
Inaccuracy : 0.2% FS (in air)
Power supply effect : Negligible between 20 and 32 VDC
EMC : EN 50081-1, EN 50082-2, 89/336/EEC



Physical Specifications

Electrical connection : PG13,5
Process connection : G2", M95 or flange
Wetted parts : ABS/PVC/PTFE
Electronic housing : Aluminum with polyester painting
Identification plate : 304 SST
Approximate weight : 1,8 to 5kg depending of model
Mounting : Directly supported by piping or flange



ExiallCT6 4, 6 & 8m

4,6 & 8m 10 & 12m 15, 20,30 & 40m

Note 1: When using to measuring solid level, the most energy of ultrasonic is absorbed or scattered by solid level, so the back wave is very little, the valid measuring range of solid level is about 50% of liquid level. And the valid measuring range of solid level is determined by the installing location and rang.



BASI Instrument AB
 P.O. Box 53

Tel: +46 40-880 09
 SE-275 06 VOLLSJÖ...SWEDEN

Fax: +4640-92 98 77
 E-mail: info@basi.se

Two Wire Smart Ultrasonic Level Transmitters BULT200

No. DS 7:2-E Issue: 5 4/10/18



Order Information

BULT200

RANGE

4 0-4m
 6 0-6m
 8 0-8m
 10 0-10m
 12 0-12m
 15 0-15m
 20 0-20m
 30 0-30m
 40 0-40m
 X Specify

SENSOR MATERIAL

S ABS & PVC
 F PTFE
 Q Other specify

PROCESS CONNECTION

1 G 1 1/2"
 2 G 2"
 3 DN50
 4 DN65
 5 DN80
 6 DN100
 7 DN150
 8 DN200
 X Specify

TYPE

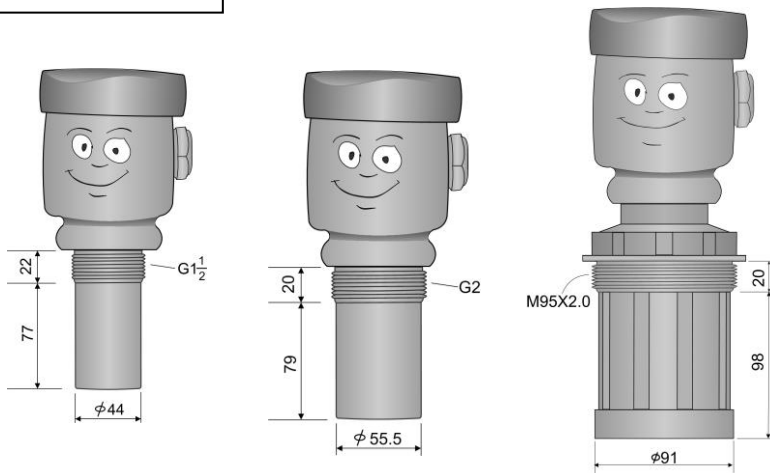
S Standard
 I ExialICT6
 for 4, 6 & 8m only
 H HART

Eg: BULT200-4S3S Level transmitter 0-4m, PVC sensor, Process connection DN50, Standard 2-wire 4-20mA

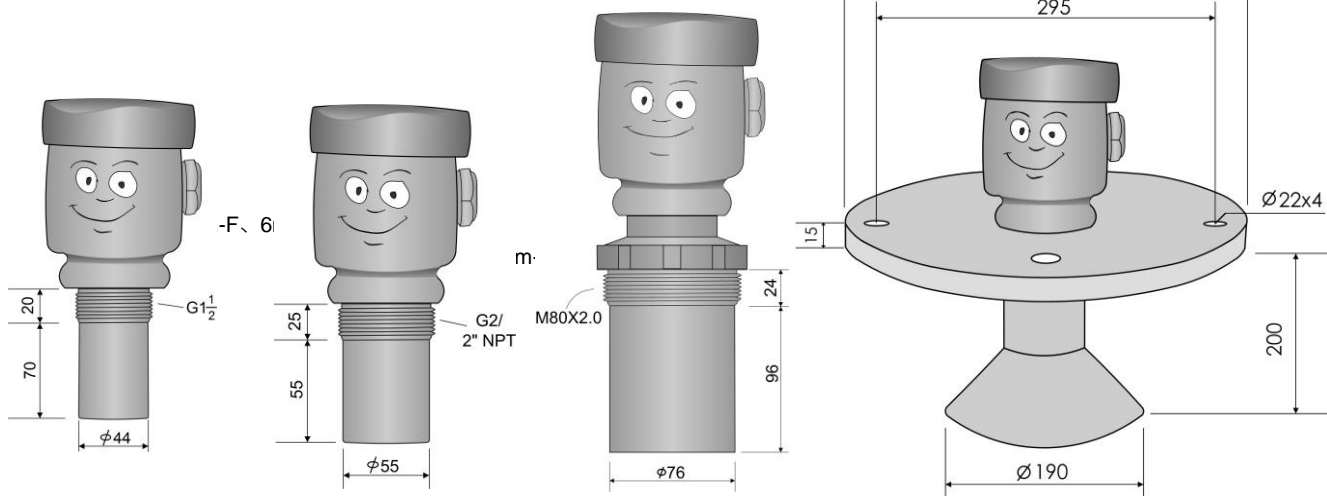
Mechanical Specifications

Mounting dimensions

ABS/PVC Probe



PTFE/PVDF Probe



BASI Instrument AB
 P.O. Box 53

Tel: +46 40-880 09
 SE-275 06 VOLLSJÖ...SWEDEN

Fax: +4640-92 98 77
 E-mail: info@basi.se

Two Wire Smart Ultrasonic Level Transmitters BULT200

No. DS 7:2-E Issue: 5 4/10/18