

# BPLS257-112111 + ENCODER S100 CASE

# BSPL0847D

The BSPL0847D is a BPLS257 fitted into a series 100 case to accommodate two thumb wheel switches to set the frequency division.

## General Specifications

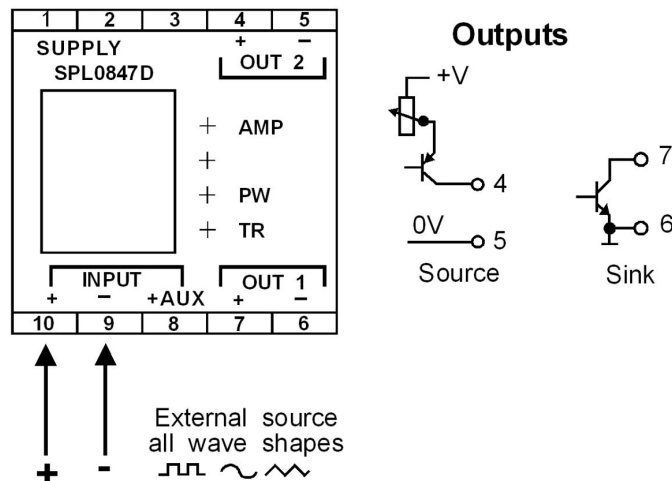
Size:	52 W x 70 H x 110 D (mm).
Mounting:	DIN-Rail, gear plate.
Termination:	Screw terminals on front.
Weight:	0.300 kg.
Housing material:	Polycarbonate.
Operating temperature:	-10 to +50°C.
Frequency range:	Up to 100kHz
Supply/Input/output 1 /output 2 isolation:	1.5kV rms.
Output transistor rating:	30V, 100mA.
Output Pulse Drive:	20mA maximum
Minimum Input Pulse Width:	5µs.
Output Pulse Width:	Adjustable 5µs...500ms
Output Pulse Level:	3 – 22V adjustable.
Electromagnetic compatibility:	Complies with CE
Power Supply:	10-60Vdc / 16-48V 50/60Hz
Input:	Sine, sawtooth or pulse (0.2 - 50Vdc), 24Vdc aux.
Output Pulse Width:	Adjustable 50µ s (10kHz) to 5ms (100Hz), specify.
Options:	Frequency Division with encoder wheels fitted on lid
Pulse Type OUT 2	Sourced 3 – 22V Adjustable.
Pulse Type OUT 1	Sink



## Front Control Explanation

- 1) **AMP** - amplitude adjust 15 turn for OUT 2.
- 2) **LED** - Output indicator.
- 3) **PW** - pulse width adjust 15 turn (disabled on pulse follower option).
- 4) **TR** - trigger level adjust 15 turn.

## Connection



In the interest of development and improvement, BASI reserve the right to amend, without notice, details contained in this publication. BASI will accept no legal liability for any errors, omissions or amendments.