

DESCRIPTION

The BFRT250 is a loop powered isolating transmitter that accepts a variety of frequency or pulse input signals. Typical inputs include signals from turbine flow meters, NAMUR proximity sensors, or any device producing a DC pulse or pulsing contact. Frequency range is 5Hz up to 5kHz with an amplitude range of 0.1Vp-p up to 50V pulses. NAMUR proximity sensors are directly connected. Standard output is 4 - 20mA with a minimum supply voltage of 6.3V. This enables the BFRT250 to be used in 12V battery supply systems or in automotive applications. Other factory set output configurations are 10-50mA loop powered and 0-10mA, 0-20mA or voltage output in 3-wire connection up to 40Vdc. Higher voltages are permissible with the use of suitable series zener diodes. Double surge protection is standard with all Series 200 loop powered transmitters to prevent failure due to spikes induced by DC switched inductive loads. The input conditioning of the BFRT250 consists of a charge-pump circuit, converting pulse signals produced by a front trigger circuit to an analogue signal. Final calibration is trimmed using the front accessible zero and span 15-turn trim adjustments. A front mounted L.E.D. and a test socket verify module function and assist in calibration checks without disconnection of output wires.



GENERAL SPECIFICATIONS

Size: 23.5W x 71.5H x 109D (mm).
 Mounting: Clip for 35mm DIN-Rail.
 Housing material: ABS.
 Termination: Top mounted screw terminals.
 Protection class: IP40 (IP55 Enclosure Opt).
 Weight: 90 g.
 Protection class: IP40.
 Accuracy error: <0.1%.
 Linearity error: <0.1%.
 Long term drift: <0.1%.
 Temperature effect: Typically 0.02% of span per °C.
 Operating temperature: -20...+70°C.
 Supply voltage: 6.3 - 40V continuous (50V 30 seconds).

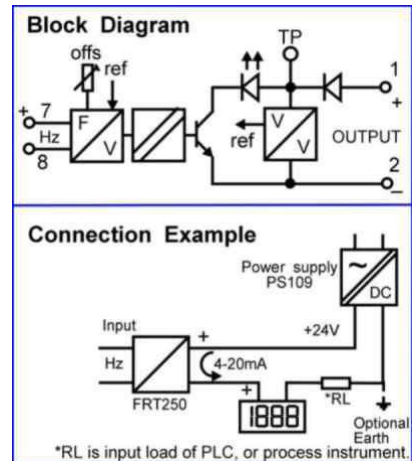
Load for 4 -20mA output:
$$RL_{max} = \frac{\text{Supply Voltage} - 6,3V}{0.02A}$$

Load change effect: 0.1% up to RL max.
 Response time: for 0.5% ripple at 10% of signal $T_{90} = \frac{20 \text{ sec}}{F_{max}}$

Internal offset adjustment: ±50% typical.
 Front zero adjustment: +20% / -10% typical.
 Front span adjustment: ±25% typical.
 Input range: 5Hz up to 5kHz.
 Input level: 0.1Vpp sine up to 50Vdc pulse.
 Excitation for NAMUR sensor: 5V/1mA (or contact).
 Input/output isolation: 2kV r.m.s. except for 3W proximity inputs.
 Electromagnetic compatibility: Complies with EN 50081-1, EN 50082-2, EN 61010-1



For input / output combinations refer to TYPE NO. DESIGNATION overleaf.



BFRT250-X X X X

TYPE NO. DESIGNATION

Output:

- | | | | |
|-------------------|-------------|-------------------------------------|------------------------|
| 1 = 4 - 20mA. | } 2-wire | *) 6 = 0 - 1V. | } 3 - wire,
OV Ref. |
| 2 = 10 - 50mA. | | | |
| *) 3 = 0 - 1mA. | } 3 - wire, | *) 7 = 0 - 5V min. supply 10.5Vdc. | } |
| *) 4 = 0 - 10m A. | | | |
| *) 5 = 0 - 20mA. | } 0V Ref | *) 8 = 0 - 10V min. supply 15.5Vdc. | |
| | | *) 9 = Other (Specify). | |

Input:

The input frequency range must be specified when ordering.

- | | |
|--|--|
| *) 1 = Sine, sawtooth or pulse, (use '2'). | *) 5 = Pulsing contact, (use '4'). |
| 2 = Pulse 0.1 - 50Vdc external source. | *)#6 = 3-wire NPN proximity sensor (not-isolated). |
| *) 3 = 5V pulse; external source (use '2'). | *)#7 = 3-wire PNP proximity sensor (not-isolated). |
| 4 = NAMUR proximity or contact. | *) 9 = Other (Specify). |

Action:

- | | |
|-------------|-----------------|
| 1 = Direct. | *) 2 = Reverse. |
|-------------|-----------------|

Options:

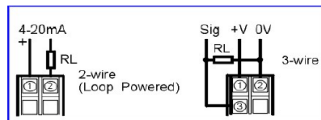
- | | |
|-----------|-------------------------|
| 0 = None. | *) 1 = Output ramp. |
| | *) 9 = Other (Specify). |

*) = Price Extra. # = Use with 3-wire output only

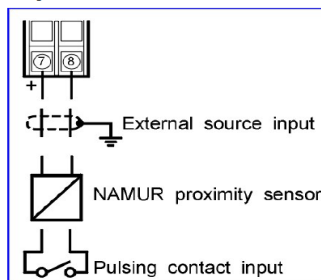
Front Control Explanation

- 1) Test socket - output signal access with reference to terminal (1) loop integrity is maintained when digital multimeter Rin < 30 Ω is used.
- 2) Loop indicator - dim at 4mA, bright at 20mA.
- 3) SPAN (full scale) adjust 15 turn.
- 4) ZERO (start scale) adjust 15 turn.

Output Connection

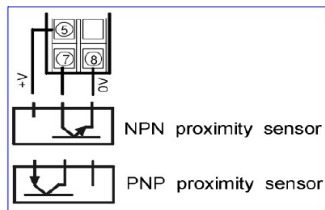


Inputs 1 to 5



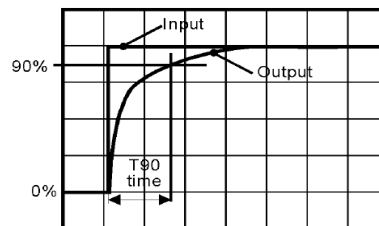
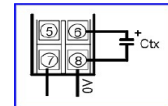
Inputs 6 & 7

NPN and PNP proximity sensors are only available with 3-wire output and there is no input/output isolation due to current drain of proximity sensors.



Output Ramp Option

A external capacitor Ctx used to set the output response time T90 in seconds as shown on the chart below.



Ctx	2μ2	3μ3	4μ7	10μ	22μ	47μ
T90	0.5	0.7	1	2	5	10

$$T_{90} = 0.2 \times C_{tx} (\mu F)$$

In the interest of development and improvement, BASI reserve the right to amend, without notice, details contained in this publication. BASI will accept no legal liability for any errors, omissions or amendments.