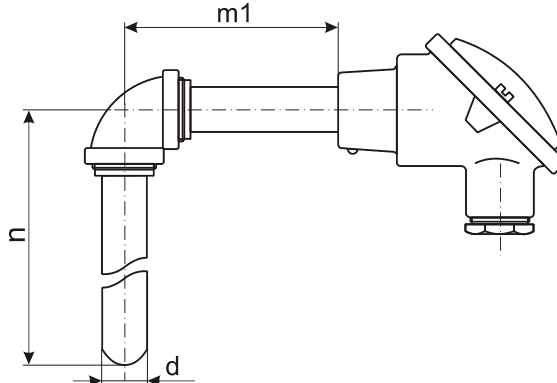
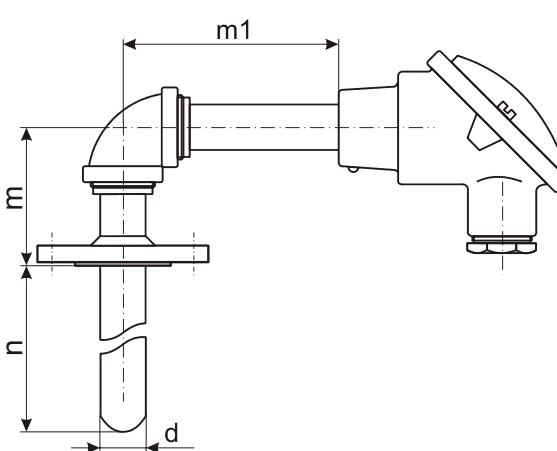
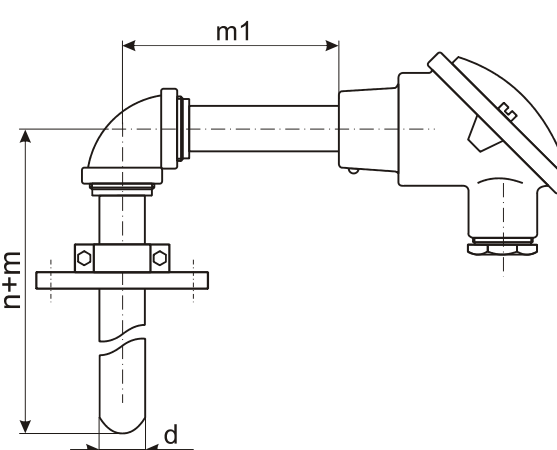


ANGLED RTD PROBE WITH PROTECTION HEAD (FOR IN-HEAD TRANSMITTER)** Sheath - stainless steel (see Appendix - Sheath materials) Head - aluminum, stainless steel, or plastic (see Appendix - Protection heads)	Lx(BTSLx)	SENSITIVE ELEMENT	TEMPERATURE RANGE	DIMENSIONS							
	OLx(BTSOLx)			d [mm]	wires						
DESIGN WITHOUT FLANGE (L) 		1 x Pt (RB,RD,RF,RG) 2(3) x Pt (RB,RD,RF,RG) 1 x Cu (RH, RK) 2 x Cu (RH, RK)	T9 -50...200 °C T1 -50...400 °C T11* -50...600 °C T2* -200...600 °C T4* -0...800 °C	10, 12, 14, 16, 20, 22 12, 14, 16, 20, 22 10, 12, 14, 16, 20, 22 12, 14, 16, 20, 22	2, 3, 4* 2x2(3)* 3x2* 2, 3, 4* 2x2(3)*						
	DESIGN WITH WELDED FLANGE (L1) 										
	DESIGN WITH ADJUSTABLE FLANGE (L3) 										
<p>Protection head: B, MA, MB, G, N, Dx, Ex, EX (see Appendix - Protection heads)</p> <p>Process connection: - welded flange - adjustable flange - no mounting appliances</p> <p>Insertion length: n = 200...1500 mm</p> <p>Extension length: m = 100...1000 mm</p> <p>Holding tube: - m1 = 100...1000 mm - OD 20(22) mm - tube/elbow material 1.4301 or 1.4541</p> <p>Tip shape: standard, narrowed, pitted (see Appendix - Tip shapes)</p> <p>Process pressure:</p> <table border="1"> <thead> <tr> <th>Probe design</th> <th>L, L1</th> <th>L3</th> </tr> </thead> <tbody> <tr> <td>Max. pressure *</td> <td>25 bar</td> <td>0 bar</td> </tr> </tbody> </table> <p>Sheath material: 1.4301(M1), 1.4404(M9), 1.4541(M2), 1.4571(M3), 1.4362 (M15)</p> <p>Wire material: Cu, Ni, or Ag</p> <p>Accuracy class: 'A', 'B', or '2xB' (see Appendix - RTD Tolerance)</p>						Probe design	L, L1	L3	Max. pressure *	25 bar	0 bar
Probe design	L, L1	L3									
Max. pressure *	25 bar	0 bar									
<p>* Please contact BASI!</p> <p>** Order transmitter separately!!!</p>											

temperature probes

Ordering code BTS*(1,3) - G0.G1G2.G3.G4.G6.G7'.G7".G9.G10.G11.G12.G13.G14 - #1.#2

Code	Feature or option	Code values
*	Base model variant	L - standard (w/ terminal block), OL - prepared for in-head transmitter (w/o terminal block)
G0	Protection head	B - type "B", MA - type "MA", MB - type "MB", G - IP65, type "G", N - type "N", D - type "D", DW - windowed, type "DW", DH - w/ high cap, type "DH", DHW - windowed, type "DHW", E - IP65, type "E", ES - stainless-steel, type "ES", EG - IP68 ATEX-approved Ex 'd', type "EG", EGS - IP66 ATEX-approved Ex 'd', type "EGS", EGW - windowed ATEX-approved Ex 'd', type "EGW", EX - explosion-proof instrument housing (specify!)
G1	Number of RTD sensors	1, 2, or 3 ⁽⁶⁾
G2	Sensor	RB - Pt50, RD - Pt100, RF - Pt500, RG - Pt1000, RH - Cu50, RK - Cu100
G3	Temperature range	T1 - -50...400 °C, T2 - -200...600 °C (Ni or Ag wires only!), T4 - 0...800 °C (Ag wires only!), T9 - -50...200 °C, T11 - -50...600 °C (Ni or Ag wires only!)
G4	Diameter 'd' [mm]	10, 12, 14, 16, 20, 22
G6	Probe length 'n' [mm] ⁽¹⁾	200...1500
G7'	Probe length 'm' [mm] ⁽²⁾	100...1000
G7"	Probe length 'm1' [mm]	100...1000
G9	Mounting connection	X - no mounting appliances, F - flange (specify!), Z - other connection (specify!)
G10	Sheath material	M1 - 1.4301, M2 - 1.4541, M3 - 1.4571, M9 - 1.4404, M15 - 1.4362
G11	Accuracy class ⁽³⁾	A - 'A', B - 'B', C - '2xB'
G12	Number of wires	2, 3, 4 ⁽⁶⁾
G13	Wire material ⁽³⁾	CU - copper, NI - nickel, AG - silver
G14	Tip shape	X - standard closed, N - narrowed, P - pitted ⁽⁴⁾
#1	Options	X - none, OV - vibration proof (MgO or Silicone filled, secured screws), OP - electrochemically polished sheath surface
#2	Local indicator	X - none, A - local indicator mounted ⁽⁵⁾

⁽¹⁾ 'n+m' for BTS(O)L3!

⁽²⁾ Only for BTS(O)L1!

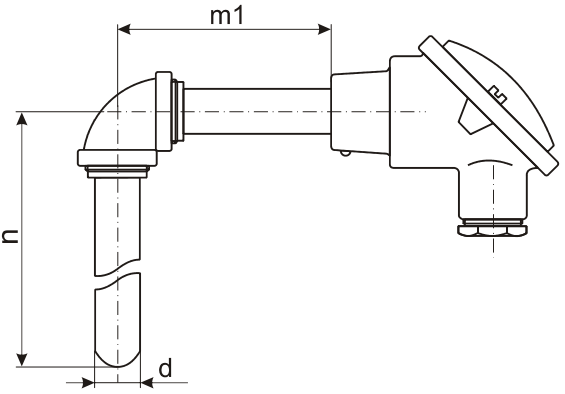
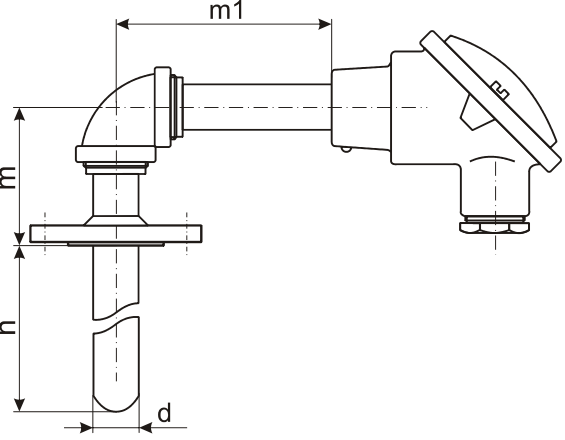
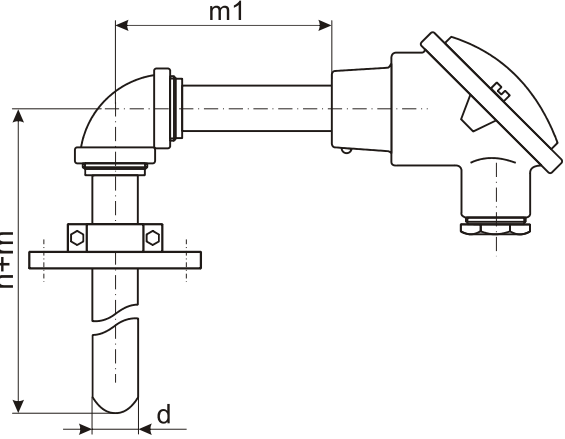
⁽³⁾ Only for Pt sensors!

⁽⁴⁾ Only for non-explosion-proof RTDs!

⁽⁵⁾ With windowed head only! See indicator datasheets and order separately!

⁽⁶⁾ Contact BASI!

temperature probes

ANGLED T/C PROBE WITH PROTECTION HEAD (FOR IN-HEAD TRANSMITTER)** Sheath - stainless steel (see Appendix - Sheath materials) Head - aluminum, stainless steel, or plastic (see Appendix - Protection heads)	Lx(BTSLx)	SENSITIVE ELEMENT	TEMPERATURE RANGE	DIMENSIONS							
	OLx(BTSOLx)			d [mm]	wires						
DESIGN WITHOUT FLANGE (L) 						Normal Thermocouple Design					
1 x J; 1 x L		T4	0...800 °C	10, 12, 14, 16, 20, 22	2						
2 x J; 2 x L					2x2						
1 x K		T3	0...850 °C	10, 12, 14, 16, 20, 22	2						
2 x K					2x2						
1 x E		T3	0...850 °C	10, 12, 14, 16, 20, 22	2						
2 x E					2x2						
1 x S		T16	0...1100 °C	10, 12, 14, 16, 20, 22	2						
1 x R					2x2						
2 x S		T16	0...1100 °C	10, 12, 14, 16, 20, 22	2x2						
2 x R					2x2						
MI Thermocouple Design											
1 x J		T4	0...800 °C	10	2						
1 x K		T3	0...850 °C	10	2						
1 x N; 1 x E		T16	0...1100 °C								
2 x K		T3	0...850 °C	10	2x2						
		T16	0...1100 °C								
DESIGN WITH WELDED FLANGE (L1) 						Protection head: B, MA, MB, G, N, Dx, Ex, EX (see Appendix - Protection heads)					
Process connection: - welded flange - adjustable flange - no mounting appliances						Insertion length: n = 200...1500 mm					
Extension length: m = 100...1000 mm						Holding tube: - m1 = 100...1000 mm - OD 20(22) mm - material 1.4301 or 1.4541					
Tip shape (hot junction design): standard (isolated), grounded, open-tube, exposed (see Appendix - Tip shapes)						Process pressure:					
		Probe design	L, L1	L3							
		Max. pressure *	25 bar	0 bar							
DESIGN WITH ADJUSTABLE FLANGE (L3) 						Sheath material: 1.4404(M9), 1.4541(M2), 1.4571(M3), 1.4762(M4), 1.4841(M5), 1.4845(M6), 1.4876(M7), 2.4816(M8), 1.4362 (M15)					
MI sheath material: 1.4541(M2), 1.4571(M3), 1.4876(M7), 2.4816(M8)						Accuracy class: '1' or '2' (see Appendix - T/C Tolerance)					
* Please contact BASI! ** Order transmitter separately!!!											

BASI reserves the right of changing specifications without prior notice!

temperature probes

Ordering code BTS*(1,3) - G0.G1G2.G3.G4.G6.G7'.G7".G9.G10.G11.G14 - #1.#2

Code	Feature or option	Code values	
*	Base model variant	L - standard (w/ terminal block), OL - prepared for in-head transmitter (w/o terminal block)	
G0	Protection head	B - type "B", MA - type "MA", MB - type "MB", G - IP65, type "G", N - type "N", D - type "D", DW - windowed, type "DW", DH - w/ high cap, type "DH", DHW - windowed, type "DHW", E - IP65, type "E", ES - stainless-steel, type "ES", EG - IP68 ATEX-approved Ex 'd', type "EG", EGS - IP66 ATEX-approved Ex 'd', type "EGS", EGW - windowed ATEX-approved Ex 'd', type "EGW", EX - explosion-proof instrument housing (specify!)	
G1	Number of thermocouples	1 or 2	
G2	Thermocouple	J - type "J", K - type "K", N - type "N", E - type "E", L - type "L", S - type "S", R - type "R"	
G3	Temperature range	T3 - 0...850 °C, T4 - 0...800 °C, T6 - 0...1200 °C ⁽⁵⁾ , T13 - 0...1000 °C, T16 - 0...1100 °C	
G4	Diameter 'd' [mm]	normal T/C	10, 12, 14, 16, 20, 22
		MI T/C	10
G6	Probe length 'n' [mm] ⁽¹⁾	200...1500	
G7'	Probe length 'm' [mm] ⁽²⁾	100...1000	
G7"	Probe length 'm1' [mm]	100...1000	
G9	Mounting connection	X - no mounting appliances, F - flange (specify!), Z - other connection (specify!)	
G10	Sheath material	normal T/C	M2 - 1.4541, M3 - 1.4571, M4 - 1.4762, M5 - 1.4841, M6 - 1.4845, M7 - 1.4876, M8 - 2.4816, M9 - 1.4404, M15 - 1.4362
		MI T/C	M2 - 1.4541, M3 - 1.4571, M7 - 1.4876 (Incolloy 800), M8 - 2.4816 (Inconel 600)
G11	Accuracy class	1 - '1' ⁽⁵⁾ , 2 - '2'	
G14	Tip shape (hot junction)	X - standard (isolated from sheath), G - grounded, E - exposed hot junction ⁽³⁾ , O - open-tube design ⁽³⁾	
#1	Options	X - none, OV - vibration proof (spring-type terminals ⁽⁵⁾ , secured screws), OP - electrochemically polished sheath surface	
#2	Local indicator	X - none, A - local indicator mounted ⁽⁴⁾	

⁽¹⁾ 'n+m' for BTS(O)L3!

⁽²⁾ Only for BTS(O)L1!

⁽³⁾ Only for non-explosion-proof thermocouples!

⁽⁴⁾ With windowed head only! See indicator datasheets and order separately!

⁽⁵⁾ Contact BASI!