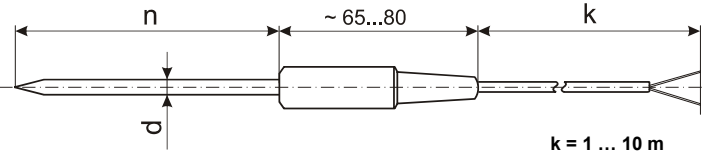
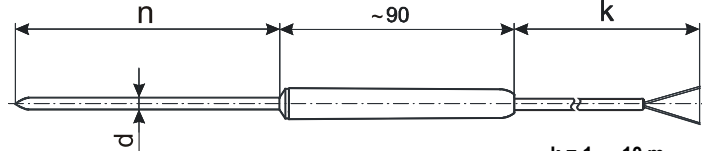
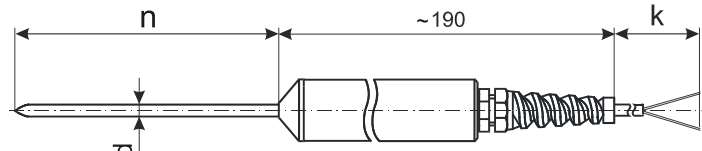


# temperature probes

PENETRATION RTD PROBE WITH HANDLE Sheath - stainless steel (see table notes) Cable and handle - see table notes	Ix(BTSI)x	SENSITIVE ELEMENT	TEMPERATURE RANGE	DIMENSIONS															
				d [mm]	wires														
<b>DESIGN WITH SILICONE HANDLE (I1)</b>  k = 1 ... 10 m	1 x Pt (RB,RD,RF,RG)	T9	-50...200 °C	4, 5	2, 3*														
				6	2, 3, 4*														
				8	2, 3, 4														
<b>DESIGN WITH PLASTIC HANDLE (I2)</b>  k = 1 ... 10 m	2 x Pt (RB,RD,RF,RG)	T9	-50...200 °C	5, 6	2x2														
				8	2, 3*														
<b>DESIGN WITH ROBUST METAL HANDLE (I3)</b>  k = 1 ... 10 m	<b>Sheath material:</b> 1.4301 (M1), 1.4541 (M2), 1.4571 (M3), 1.4404 (M9)																		
	<b>Cable type:</b> - SLSL or TSL (silicone, max. 250 °C ambient temperature) - TT (Teflon®, max. 250 °C ambient temperature)																		
<b>Accuracy class:</b> 'A', 'B', or '2xB' (see Appendix - RTD Tolerance)																			
<b>Handle type:</b> - silicone (I1) - glass-filled plastic (I2) - stainless steel 1.4301 (I3)																			
<b>Filling:</b> thermal conductive paste																			
<b>Cable connector:</b> 4-pin (C3) (see Appendix - Connectors)																			
<b>Dimension limits:</b> <table border="1" data-bbox="901 1019 1273 1164"> <thead> <tr> <th>Model</th> <th>I1, I2</th> <th>I3</th> </tr> </thead> <tbody> <tr> <td>d = 4</td> <td>n = 50...200</td> <td>n = 50...200</td> </tr> <tr> <td>d = 5</td> <td>n = 50...300</td> <td>n = 50...300</td> </tr> <tr> <td>d = 6</td> <td>n = 50...500</td> <td>n = 50...500</td> </tr> <tr> <td>d = 8</td> <td>-</td> <td>n = 50...800</td> </tr> </tbody> </table>					Model	I1, I2	I3	d = 4	n = 50...200	n = 50...200	d = 5	n = 50...300	n = 50...300	d = 6	n = 50...500	n = 50...500	d = 8	-	n = 50...800
Model	I1, I2	I3																	
d = 4	n = 50...200	n = 50...200																	
d = 5	n = 50...300	n = 50...300																	
d = 6	n = 50...500	n = 50...500																	
d = 8	-	n = 50...800																	
* Please contact BASI!																			

**Ordering code** BTSI(1,2,3) - G1G2.G4.G6.G8.G10.G11.G12.G15 - #1

Code	Feature or option	Code values
G1	Number of RTD sensors	1 or 2
G2	Sensor	RB - Pt50, RD - Pt100, RF - Pt500, RG - Pt1000
G4	Diameter 'd' [mm]	4, 5, 6, 8
G6	Probe length 'n' [mm]	50...500
G8	Cable length 'k' [m] and type	1SL...10SL - silicone, 1TF...10TF - Teflon® <sup>(1)</sup>
G10	Sheath material (wetted parts)	M1 - 1.4301, M2 - 1.4541, M3 - 1.4571, M9 - 1.4404
G11	Accuracy class <sup>(1)</sup>	A - 'A', B - 'B', C - '2xB'
G12	Number of wires	2, 3 <sup>(1)</sup> , 4 <sup>(1)</sup>
G15	Connector	X - none, C3 - 4-pin male plug-in connector ø8 (for H5700 thermometer only)
#1	Options	X - none, OP - electrochemically polished sheath surface

<sup>(1)</sup> Contact BASI!