

Conductivity Cells

Measures conductivity directly in process temperatures up to 205°C

O-ring seals used for high on-stream reliability

Boiler condensate and blowdown control without coolers

Inbuilt Pt1000 or Pt100 temperature sensor

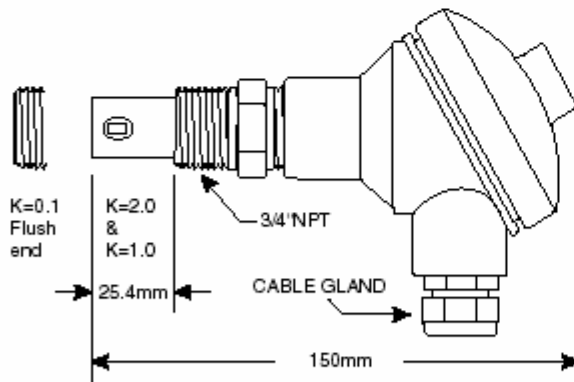
K factors of 0.1, 1 and 2 available

BCS41



The BCS41 sensor was designed for high pressure, high temperature conductivity measurements and is an ideal choice for boiler control applications. Blowdown control, condensate monitoring, leak detection on heat exchangers and steam purity measurements are just a few of the many applications in which this rugged and reliable sensor can be used.

Wetted materials are 316 stainless steel and PEEK. All possible leak paths through the sensor are double sealed with EPR O-rings for maximum on-stream reliability. Hot water is a severe environment for any elastomer and the front seals bear the brunt of chemical attack, allowing the back seals to remain relatively unaffected. This results in a sensor life which is more than double that expected of single sealed or epoxy sealed sensors.



Specifications

Max Pressure/Temp Ratings:
27 bar (400PSI) at 100°C
17 bar (250PSI) at 205°C

Wetted Materials:
Insulator - PEEK
O-rings - EPR
Electrodes - 316SS

K=
0.1 Pt1000 BP-BCS41-0.1HT-1K
1.0 Pt1000 BP-BCS41-1.0HT-1K
2.0 Pt1000 BP-BCS41-2.0HT-1K

Connections:
Process - 3/4" NPT
Electrical - Screw terminals

Temperature Sensor:
Pt100 (100Ω RTD) or
Pt1000 (1000Ω RTD)

Order Codes:
Pt100 BP-BCS41-0.1HT-20.0
Pt100 BP-BCS41-1.0HT-RT
Pt100 BP-BCS41-2.0HT-RT

Very compact size for a high probe constant sensor

O-ring seals used for high on-stream reliability

Thermowell for temperature sensor assures rapid response

Economical

Inbuilt Pt100 temperature sensor

K factor 20 available

BCS42

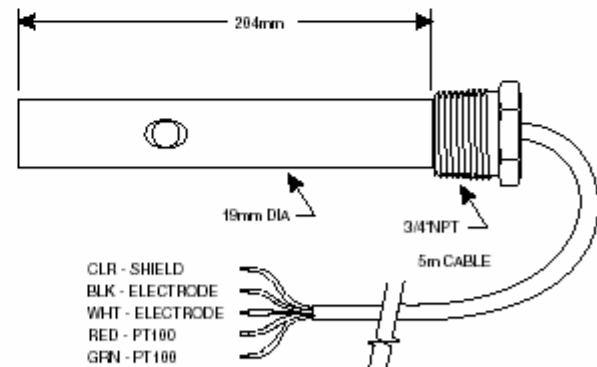


This sensor has a small footprint for its high probe constant of K=20. Its size and economical pricing make it ideal for use in various OEM applications, such as skid mounted R.O. Systems, water treatment units, chemical dilutions and many more.

Wetted materials are 316 stainless steel and TEFLON.

The thermowell containing the temperature sensor in its tip is exposed directly to the stream, assuring rapid automatic temperature compensation for maximum accuracy.

Process connections are 3/4" NPT for insertion.



Specifications

Max Pressure/Temp Ratings:
7 bar (100PSI) at 95°C

Wetted Materials:
Insulator - TEFLON
O-rings - EPR
Electrodes - 316SS

Probe Constant:
K=20 pT100

Connections:
Process - 3/4" NPT
Electrical - wire tails

Temperature Sensor:
Pt100 (100Ω RTD)

Order Codes:
BP-BCS42-20.0-RT

CONDSDI-2.1-1