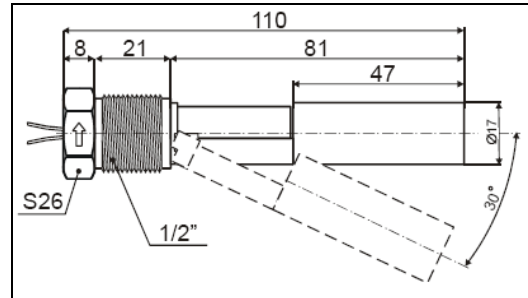


- Side-mounting
- External or internal mounting
- Low cost
- High reliability
- Various plastic and stainless steel versions available
- 120 °C maximum fluid temperature
- Rotating or sliding float
- Wide range of applications
- Cable electrical termination



GENERAL DESCRIPTION

The BLCDFS level sensors for liquids are based on the switching of reed switches by a magnetic float, rotating around a fixed point or sliding along stem. These switches are designed for external or internal mounting on the side vessel walls and are electrically terminated by lead wires. Large variety of versions based on different body and float materials is available for use at up to 120 °C operating temperature, 5 bar media pressure, and 0.75 g/cm³ specific gravity of the liquid.

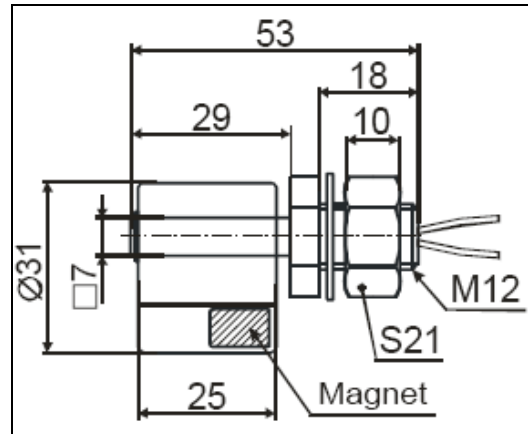
ORDER INFORMATION

BLCDFS

Variant: 1 - with float rotating around fixed point, 2 - with float sliding along stem

Material: PP - polypropylene, NY - nylon, DF - PVDF, PSU - polysulfone, SS - stainless steel 1.4301 (304)

Accessories: X - none, RC - RC suppression group for inductive loads



Variant	rotating around fixed point		sliding up-down			
Specifications						
Sensor material	polypropylene	nylon	PVDF	polysulfone	stainless steel 1.4301 (304)	polypropylene
Liquid density [g/cm³]	> 0.65		> 0.85		> 0.60	
Contact type	reed switch, NO					
Sensor function	NO or NC (depending on float position)					
Contact ratings	max. 240 VAC (200 VDC), max. 0.5 A (1 A carry current), max. 50 VA					
Process temperature	-20...80 °C	-20...100 °C	-20...120 °C		-20...80 °C	
Ambient temperature	-20...90 °C					-20...60 °C
Max. process pressure	4 bar		5 bar		atmosphere	
Wiring	30 cm XLPE wires				30 cm PVC wires	
Protection	IP67					
Process connection (incl. nut & washer)	M16x1.5		1/2"		M12x1.25	