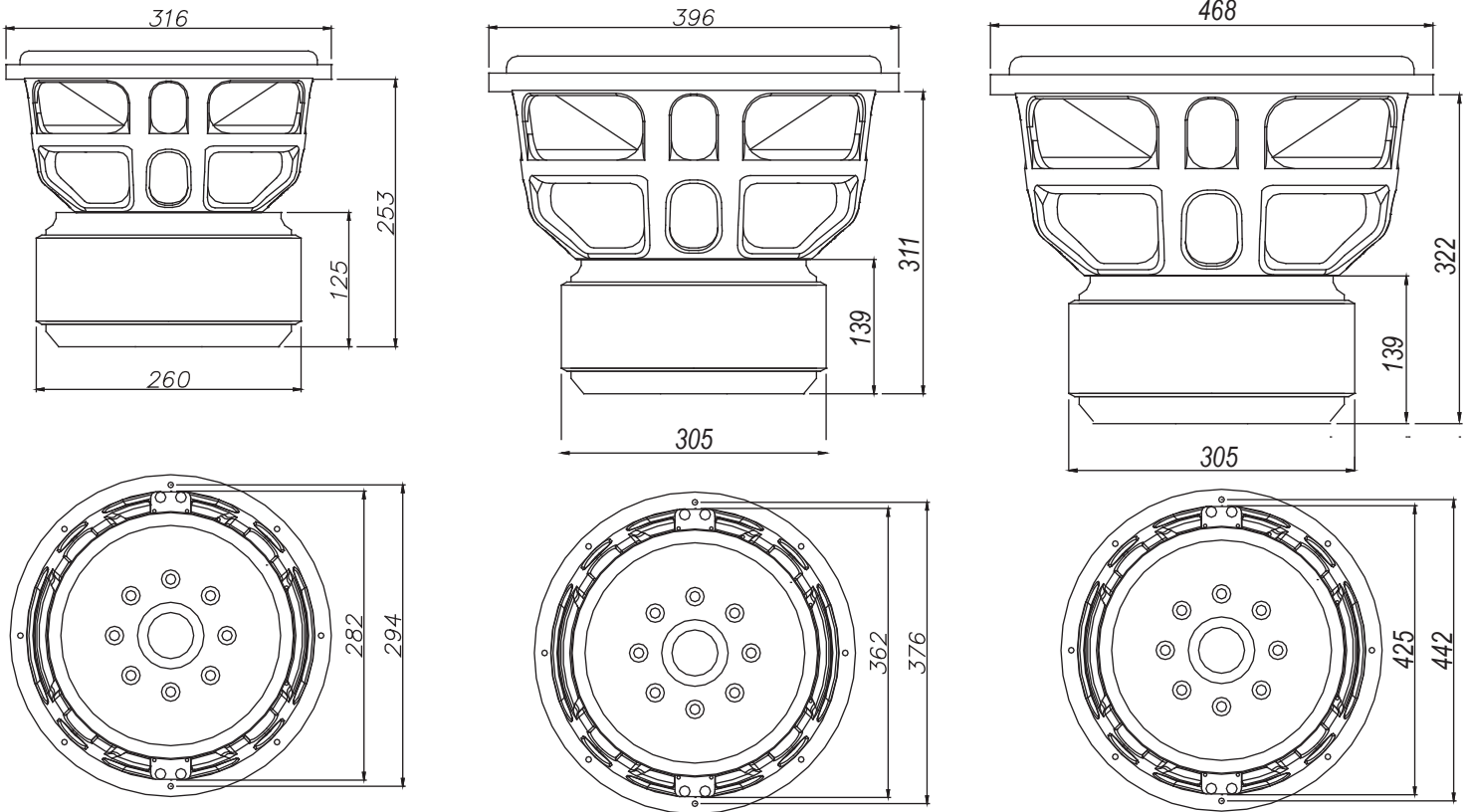




# RAMPAGE SUBWOOFERS

MODEL: RAMPAGE12 / RAMPAGE 15 / RAMPAGE 18



MODEL:	RAMPAGE 12 D1	RAMPAGE 12 D2	RAMPAGE 15 D1	RAMPAGE 15 D2	RAMPAGE 18 D1	RAMPAGE 18 D2
<b>Sensitivity:</b>	87.4 dB	84.1 dB	92.2 dB	89.9 dB	94.7 dB	91.8 dB
<b>Nominal Impedance:</b>	Dual 1 Ω	Dual 2 Ω	Dual 1 Ω	Dual 2 Ω	Dual 1 Ω	Dual 2 Ω
<b>DC Resistance (DC):</b>	1 Ω	1.8 Ω	1 Ω	1.8 Ω	1 Ω	1.8 Ω
<b>Voice Coil Dim:</b>	4"	4"	4"	4"	4"	4"
<b>Power Handling*:</b>	4000 Watts	4000 Watts	4000 Watts	4000 Watts	4000 Watts	4000 Watts
<b>Peak Dynamic Power:</b>	12000 Watts	12000 Watts	12000 Watts	12000 Watts	12000 Watts	12000 Watts
<b>XMAX one way (mm):</b>	40	40	40	40	40	40
<b>VAS:</b>	9.7 L	10.1 L	31.8 L	39 L	84.8 L	99 L
<b>FS:</b>	34.6 Hz	33.8 Hz	27.5 Hz	27.2 Hz	26.3 Hz	26 Hz
<b>QES:</b>	0.55	0.5	0.45	0.38	0.43	0.36
<b>QMS:</b>	7.21	7.59	7.25	7.11	7.74	7.875
<b>QTS:</b>	0.51	0.47	0.42	0.36	0.41	0.34
<b>CMS:</b>	30 um/N	30 um/N	50 um/N	50 um/N	40 um/N	40 um/N
<b>MMS:</b>	635 g	650 g	690 g	695 g	807 g	832.6 g
<b>BL<sup>2</sup>/RE:</b>	269.1	273.5	285.6	313	325.2	357.8
<b>Magnet:</b>	1100 Oz	1100 Oz	1400 Oz	1400 Oz	1400 Oz	1400 Oz
<b>Displacement:</b>	10.2 L / .361 cu.ft	10.2 L / .361 cu.ft	17.6 L / .62 cu.ft	17.6 L / .62 cu.ft	20.6 L / 0.73 cu.ft	20.6 L / 0.73 cu.ft

TYPE	ENCLOSURE SUGGESTIONS			
	SEALED	PORTED COMPACT	PORTED	BP 4TH
RAMPAGE12D1	30 L / 1.06 cu.ft Qtc 0.481	30 L / 1.06 cu.ft P: 4" L: 14.3" / 36 cm FB: 42 Hz	75 L / 2.65 cu.ft P.A. 21.69 sq.in L: 19" / 48 cm FB: 32 Hz	3:1 Ratio
RAMPAGE12D2	30 L / 1.06 cu.ft Qtc 0.47	30 L / 1.06 cu.ft P: 4" L: 14.3" / 36 cm FB: 42 Hz	75 L / 2.65 cu.ft P.A. 21.69 sq.in L: 19" / 48 cm FB: 32 Hz	3:1 Ratio
RAMPAGE15D1	53 L / 1.87 cu.ft Qtc 0.436	58 L / 2.04 cu.ft P.A. 36 sq.in L: 27.3" / 69 cm FB: 38 Hz	119 L / 4.2 cu.ft P.A. 43.3 sq.in L: 26" / 66 cm FB: 30 Hz	3:1 Ratio
RAMPAGE15D2	50.2 L / 1.77 cu.ft Qtc 0.399	58 L / 2.04 cu.ft P.A. 36 sq.in L: 27.3" / 69 cm FB: 38 Hz	119 L / 4.2 cu.ft P.A. 43.3 sq.in L: 26" / 66 cm FB: 30 Hz	3:1 Ratio
RAMPAGE18D1	100 L / 3.53 cu. Ft Qtc 0.449	100 L / 3.53 cu.ft P.A. 49 sq.in L: 21.9" / 55.7 cm FB: 36 Hz	156 L / 5.5 cu.ft P.A. 49 sq.in L: 23.9" / 60.6 cm FB: 28 Hz	3:1 Ratio
RAMPAGE18D2	100 L / 3.53 cu. Ft Qtc 0.413	100 L / 3.53 cu.ft P.A. 49 sq.in L: 22.1" / 56.1 cm FB: 36 Hz	156 L / 5.5 cu.ft P.A. 49 sq.in L: 23.9" / 60.6 cm FB: 28 Hz	3:1 Ratio

\*It's essential that our speakers are given time to allow the suspension to soften up. Depending on use, this may take several weeks. While this process is undergoing, it is not recommended to apply full amplification power according to the speaker's specs. Once the moving parts have been broken in, the performance of your speaker will increase. Abuse of the unit is **not** covered by warranty. The warranty does not cover (1) Speakers that have been used for SPL purpose in competitions, (2) Damage caused by amplifier clipping or distortion, (3) Exposure to water, oil, solvent & excessive temperatures +/-, (5) Cost of shipping to / from authorized service center.