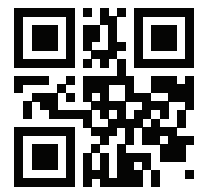


AUDIOPHILE ACOUSTICS



B2<sup>®</sup>

SWEET LIKE DANISH

# RAMPAGE SUBWOOFERS

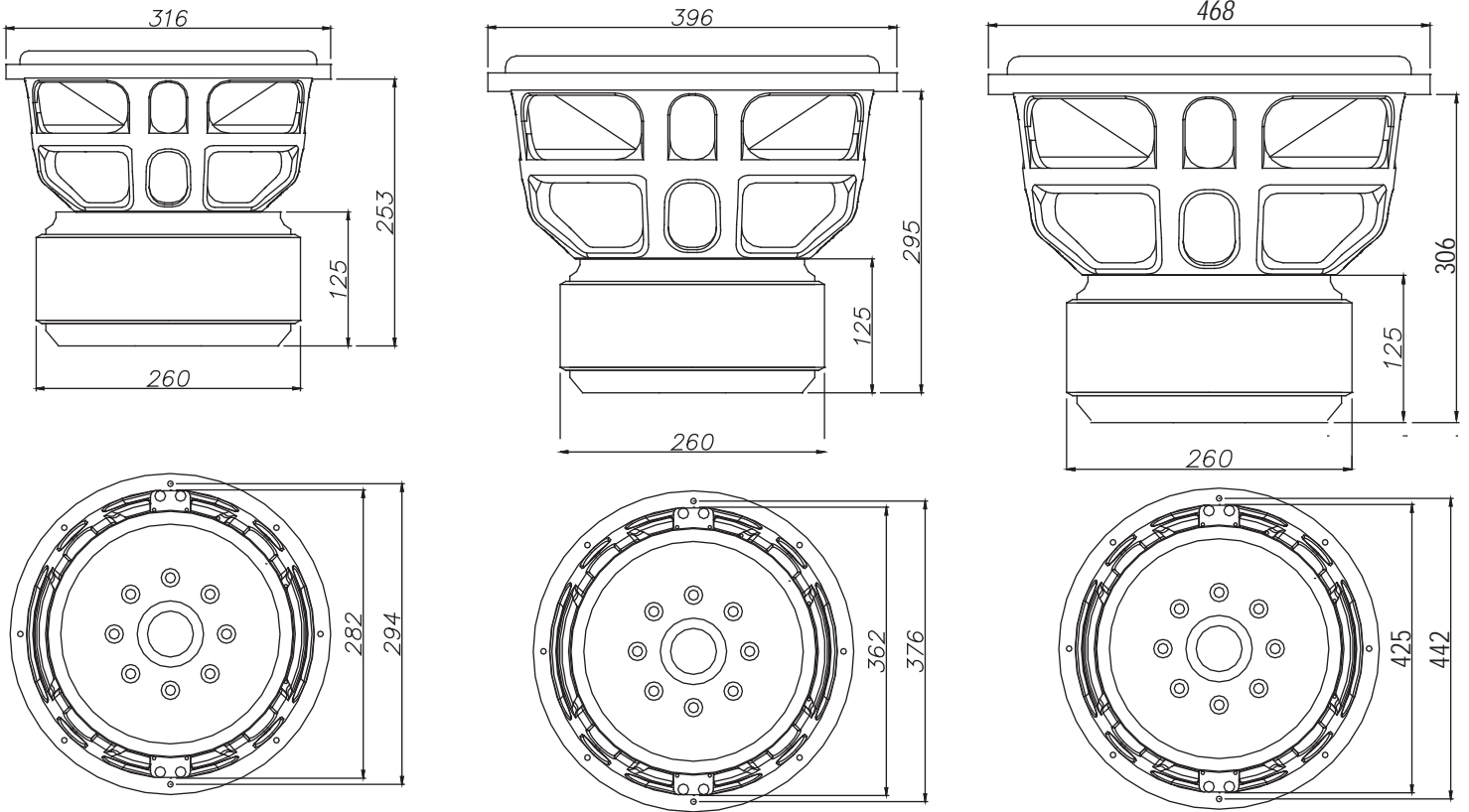
[WWW.B2AUDIO.COM](http://WWW.B2AUDIO.COM) / [WWW.FACEBOOK.COM/B2AUDIO](http://WWW.FACEBOOK.COM/B2AUDIO)





# RAMPAGE SUBWOOFERS

MODEL: RAMPAGE12 / RAMPAGE 15 / RAMPAGE 18



| MODEL:                     | RAMPAGE 12 D1       | RAMPAGE 12 D2       | RAMPAGE 15 D1       | RAMPAGE 15 D2       | RAMPAGE 18 D1    | RAMPAGE 18 D2    |
|----------------------------|---------------------|---------------------|---------------------|---------------------|------------------|------------------|
| <b>Sensitivity:</b>        | 86.2 dB             | 83.6 dB             | 90.8 dB             | 87.4 dB             | 94 dB            | 91.3 dB          |
| <b>Nominal Impedance:</b>  | Dual 1 Ω            | Dual 2 Ω            | Dual 1 Ω            | Dual 2 Ω            | Dual 1 Ω         | Dual 2 Ω         |
| <b>DC Resistance (DC):</b> | 1 Ω                 | 1.8 Ω               | 1 Ω                 | 1.8 Ω               | 1 Ω              | 1.8 Ω            |
| <b>Voice Coil Dim:</b>     | 4"                  | 4"                  | 4"                  | 4"                  | 4"               | 4"               |
| <b>Power Handling*:</b>    | 4000 Watts          | 4000 Watts          | 4000 Watts          | 4000 Watts          | 4000 Watts       | 4000 Watts       |
| <b>Peak Dynamic Power:</b> | 12000 Watts         | 12000 Watts         | 12000 Watts         | 12000 Watts         | 12000 Watts      | 12000 Watts      |
| <b>XMAX one way (mm):</b>  | 40                  | 40                  | 40                  | 40                  | 40               | 40               |
| <b>VAS:</b>                | 6.1 L               | 6.4 L               | 28 L                | 29.5 L              | 59 L             | 63.2 L           |
| <b>FS:</b>                 | 36 Hz               | 34.5 Hz             | 30.8 Hz             | 30 Hz               | 28 Hz            | 28 Hz            |
| <b>QES:</b>                | 0.48                | 0.42                | 0.6                 | 0.59                | 0.55             | 0.54             |
| <b>QMS:</b>                | 5.83                | 6.66                | 8.63                | 8.7                 | 8.1              | 7.2              |
| <b>QTS:</b>                | 0.44                | 0.39                | 0.56                | 0.55                | 0.52             | 0.5              |
| <b>CMS:</b>                | 110 um/N            | 120 um/N            | 30 um/N             | 30 um/N             | 29 um/N          | 29 um/N          |
| <b>MMS:</b>                | 160 g               | 169.1 g             | 784.8 g             | 795 g               | 870 g            | 880 g            |
| <b>BL<sup>2</sup>/RE:</b>  | 269.1               | 273.5               | 276.3               | 278.8               | 291.6            | 295.8            |
| <b>Magnet:</b>             | 1100 Oz             | 1100 Oz             | 1100 Oz             | 1100 Oz             | 1100 Oz          | 1100 Oz          |
| <b>Displacement:</b>       | 10.2 L / .361 cu.ft | 10.2 L / .361 cu.ft | 13.95 L / .49 cu.ft | 13.95 L / .49 cu.ft | 17 L / 0.6 cu.ft | 17 L / 0.6 cu.ft |

| TYPE        | ENCLOSURE SUGGESTIONS            |  |   |           |
|-------------|----------------------------------|--|---|-----------|
|             | SEALED                           | PORTED COMPACT   | PORTED  | BP 4TH    |
| RAMPAGE12D1 | 30 L / 1.06 cu.ft<br>Qtc 0.481   | 30 L / 1.06 cu.ft<br>P: 4" L: 14.3" / 36 cm<br>FB: 42 Hz               | 75 L / 2.65 cu.ft<br>P.A. 21.69 sq.in L: 19" / 48 cm<br>FB: 32 Hz   | 3:1 Ratio |
| RAMPAGE12D2 | 30 L / 1.06 cu.ft<br>Qtc 0.47    | 30 L / 1.06 cu.ft<br>P: 4" L: 14.3" / 36 cm<br>FB: 42 Hz               | 75 L / 2.65 cu.ft<br>P.A. 21.69 sq.in L: 19" / 48 cm<br>FB: 32 Hz   | 3:1 Ratio |
| RAMPAGE15D1 | 50.2 L / 1.77 cu.ft<br>Qtc 0.55  | 58 L / 2.04 cu.ft<br>P.A. 18.6 sq.in L: 14" / 35.5 cm<br>FB: 38 Hz     | 119 L / 4.2 cu.ft<br>P.A. 18.6 sq.in L: 8.9" / 23 cm<br>FB: 32 Hz   | 3:1 Ratio |
| RAMPAGE15D2 | 50.2 L / 1.77 cu.ft<br>Qtc 0.55  | 58 L / 2.04 cu.ft<br>P.A. 31.01 sq.in L: 14.28" / 36.2 cm<br>FB: 38 Hz | 119 L / 4.2 cu.ft<br>P.A. 17.67 sq.in L: 8.9" / 23 cm<br>FB: 32 Hz  | 3:1 Ratio |
| RAMPAGE18D1 | 100 L / 3.53 cu. Ft<br>Qtc 0.515 | 100 L / 3.53 cu.ft<br>P.A. 31 sq.in L: 15.16" / 38.5 cm<br>FB: 36 Hz   | 156 L / 5.5 cu.ft<br>P.A. 49.6 sq.in L: 19.36" / 49 cm<br>FB: 32 Hz | 3:1 Ratio |
| RAMPAGE18D2 | 100 L / 3.53 cu. Ft<br>Qtc 0.51  | 100 L / 3.53 cu.ft<br>P.A. 31 sq.in L: 15.16" / 38.5 cm<br>FB: 36 Hz   | 156 L / 5.5 cu.ft<br>P.A. 49.6 sq.in L: 19.36" / 49 cm<br>FB: 32 Hz | 3:1 Ratio |

\*It's essential that our speakers are given time to allow the suspension to soften up. Depending on use, this may take several weeks. While this process is undergoing, it is not recommended to apply full amplification power according to the speaker's specs. Once the moving parts have been broken in, the performance of your speaker will increase. Abuse of the unit is **not** covered by warranty. The warranty does not cover (1) Speakers that have been used for SPL purpose in competitions, (2) Damage caused by amplifier clipping or distortion, (3) Exposure to water, oil, solvent & excessive temperatures +/-, (5) Cost of shipping to / from authorized service center.