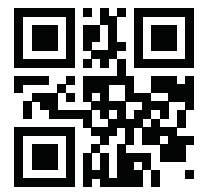


AUDIOPHILE ACOUSTICS



B2[®]

SWEET LIKE DANISH

RAGE MI SERIES

USER MANUAL

PRODUCT ID:
PRODUCT ID:

RAGEMI 10004DF21
RAGEMI 850021

WWW.B2AUDIO.COM / WWW.FACEBOOK.COM/B2AUDIO



INTRODUCTION

There are times when you need to make a statement, such as raising the bar & going beyond what has become the standard. For nearly a decade this has become synonymous with B2 audio. Whether it being product like subwoofers & amplifiers or even various competition formats in car audio, we have continuously set our standards higher. At times it might not be the most financially wise decision, but we are more than product and profits, we are first and foremost passionate about what we do, thus we want to implement our soul into each product.

RAGE MI

Don't blow a fuse, keep calm. The next era comes with our redefined levels. The Rage series is "The increased Desire for B2 audio". The Rage should cover any need for near any type of user. Mono, 4ch or even 6 ch amplification, no problem, Rage embodies it all. Enough power and authority refined with the keystones of B2 audio will provide you with numerous hours of joy and sweetness. The added bonus is that these amplifiers are not only efficient, they are compact as well.

To obtain the full potential of any amplifier & to minimize failure, it is advised to upgrade your stock electrical system. Don't take any shortcuts, a better electrical equals enhanced performance and stability.

Stay updated on B2 audio, follow us on social media & our website. www.b2audio.com - www.facebook.com/b2audio - www.instagram.com/b2_audio www.youtube.com/b2audio - twitter: @b2_audio



AUDIOPHILE ACOUSTICS

IS THE DNA OF B2 AUDIO. ANY PRODUCT IS DEVELOPED BY ADDING THE UNIQUENESS AND THOUGHT OF EVOLUTION IN THE SPECIFIC APPLICATION OF THE PRODUCT'S DESIGN.

KEEP IN MIND THAT CONTINUOUS EXPOSURE TO SPL ABOVE 100 DB CAN SERIOUSLY DAMAGE YOUR HEARING. TODAY'S HIGH POWER AUTO SOUND SYSTEMS CAN EASILY PRODUCE SPL ABOVE 140 DB. ENJOY YOUR PASSION WITH SENSE AND RESPECT FOR THE ENVIRONMENT.

TABLE OF CONTENTS

DESIGN FEATURES	3	SPEAKER CONNECTIONS	7
PANEL LAYOUT	4-5	ACCU8 CROSSOVER SETTINGS	8
INSTALLATION	6	TROUBLESHOOTING	9
*PREPARATIONS		WARRANTY INFO	10
*POWER CONNECTORS			
*REMOTE & RCA INPUT			

DESIGN FEATURES

CIRCUIT CONFIGURATION:
FREQUENCY RESPONSE:
SIGNAL TO NOISE RATIO:
INPUT SENSITIVITY:
CROSSOVER CIRCUIT:
LOW PASS CROSSOVER:
HIGH PASS CROSSOVER:
DAMPING FACTOR:
HIGH LEVEL INPUT:
POWER TERMINAL GAUGE:
FUSE RATING:
DIMENSIONS:

RAGE MI 850

HI-EF CLASS D
10 HZ ~ 500 HZ
> 93 DB
6 V ~ 0.2 V
12 DB / OCT
35 HZ ~ 250 HZ
10 HZ ~ 50 HZ (SUBSONIC)
> 200
✔
4 GA
100 A
24 X 12.5 X 5.7 CM / 9.45 X 4.9 X 2.2"

RAGE MI 1000.4

HI-EF CLASS D FULLRANGE
20 HZ ~ 35 KHZ
> 90 DB
6 V ~ 0.2 V
12 DB / OCT
50 HZ ~ 5 KHZ
50 HZ ~ 5 KHZ
> 200
4 GA
100 A
26 X 12.5 X 5.7 CM / 10.2 X 4.9 X 2.2"

All features are subject to change in the continuing effort to improve the products without notice.

CONTINUOUS OUTPUT POWER (RMS)

RAGE MI 850	14.4 V < 1% THD	RAGE MI 1000.4	14.4 V < 1% THD
OUTPUT POWER @ 4 Ω	1 X 350 W	OUTPUT POWER @ 4 Ω	4 X 175 W
OUTPUT POWER @ 2 Ω	1 X 600 W	OUTPUT POWER @ 2 Ω	4 X 250 W
OUTPUT POWER @ 1 Ω	1 X 850 W	BRIDGED POWER @ 4 Ω	2 X 500 W

DESCRIPTION OF SPECIFICATIONS

Operation below minimum impedance will stress the amplifier & void the warranty.
Excessive heat will also appear at a faster rate and the and the amplifier will go into thermal protection.

Protection can also be caused by the following

- * Speaker overload
- * Short circuit
- * Input Voltage - RCA & Power Supply

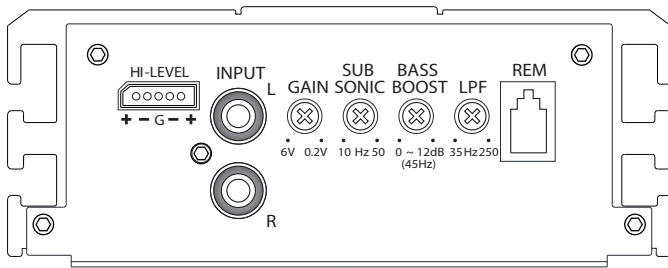
The PCB is a HI-EF Class D design. THE HI-EF circuit optimizes efficiency & improves performance even at low voltages.
Operational voltage 10V ~16V.

Operational voltage will also be affected by the load of the amplifier.

*In order to get the full power output of the amplifier, it is crucial that your electrical system is correctly (over)dimensioned.

PANEL LAYOUT

RAGE MI 850



HIGH LEVEL

High level input from loudspeaker wires, this option is preferred if RCA inputs are not available. The OEM wire-harness in your vehicle will provide the signal input.

INPUT

RCA signal input for L & R channel / (CH1~ CH4). A minimum of 0.2V input signal is required for correct operation.

GAIN

Adjusts signal input voltage from the input source to match the amplifiers input stage. 0.2V ~ 6V is the operational voltage. Voltages beyond may cause errors or damages to the input section.

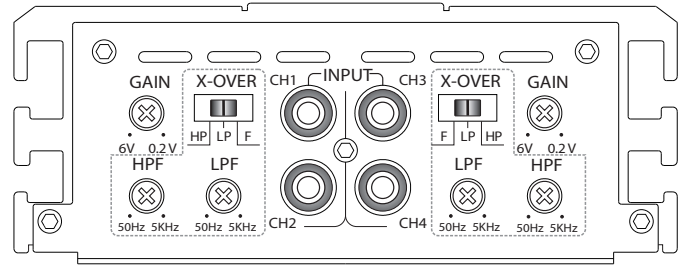
SUBSONIC CROSSOVER

Variable subsonic setting from 10 Hz to 50 Hz. It is highly recommended to set it according to the tuning of your subwoofer enclosure to avoid unnecessary strain to your sound system.

BASS BOOST

0 ~ 12 dB variable boost at 45 Hz. Keep in mind it is not a gain level control! Use the function with caution as it can easily introduce clipping in your signal, which can harm your loudspeakers.

RAGE MI 1000.4



REMOTE LEVEL CONTROL PORT

Connection of external signal level control. Caution, it is not a volume knob and shall be adjusted in accordance with the amplifiers gain level.

HPF (50 HZ - 5 KHZ) HIGH PASS CROSSOVER

Adjustable crossover point for high pass with a 12 dB slope. Frequencies below set level will be attenuated in accordance with the crossover configuration.

HP - LP - F

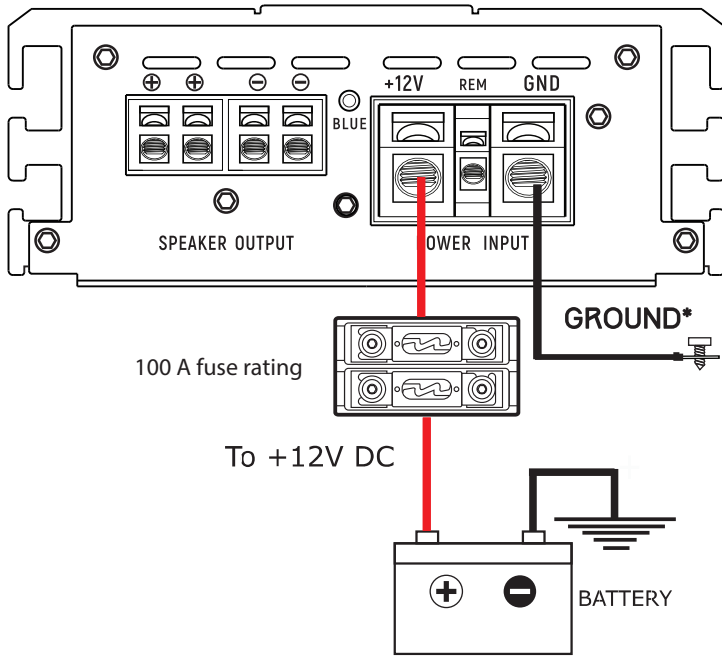
Crossover selection switch, when placed in full, no crossover is applied. The frequency range of the amplifier is fullrange. HP = High Pass crossover, LP = Low Pass crossover

LPF

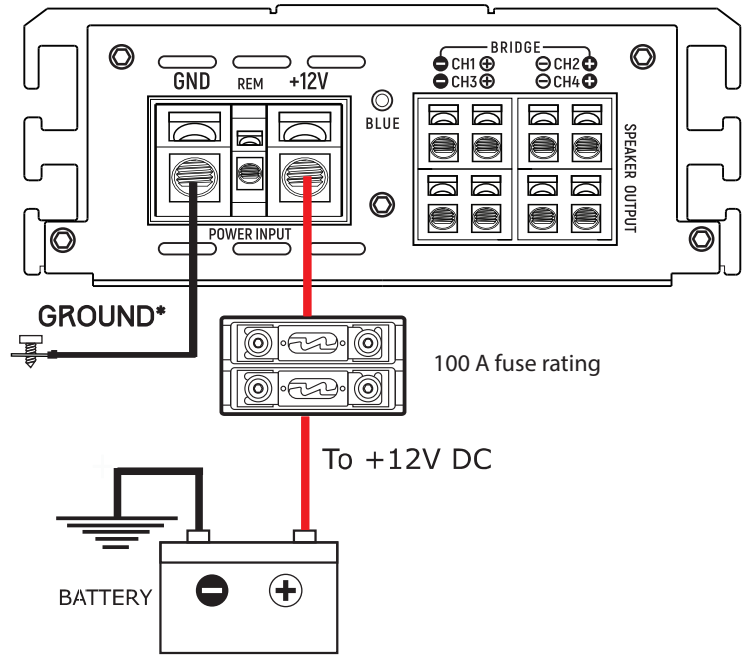
Adjustable crossover point for low pass with a 12 dB slope. Frequencies above set level will be attenuated in accordance with the crossover configuration.

POWER TERMINALS

RAGE MI 850



RAGE MI 1000.4



⚠ * Keep ground as short as possible and of equal length, no longer than 20" (50 cm).
This drawing is for illustration purpose only!

POWER TERMINAL

GND (GROUND CONNECTION)

Connects to the vehicle's chassis. Keep as short as possible (< 20" / 50 cm). Use minimum 0AWG cable for optimal operation.

REM (REMOTE CONNECTION)

Run a remote turn on cable from the switched +12V source.

This may be a toggle switch, a relay, the source unit's remote output cable or power antenna trigger cable. Connect the remote turn on cable to the power terminal labeled as REM.

+12V (POWER CONNECTION)

Connects to the positive terminal of the battery. For specified performance 0AWG cable is required. Fuses shall be placed within 8" / 20 cm of the battery.

⚠ CAUTION

INSTALLATION OF THE AMPLIFIER SHALL BE DONE IN THE FOLLOWING STEPS:

1. Connect the +12V wire, keep in mind this wire has to be fused at the battery as well.
2. Ensure the ground is appropriate, then connect it to the amplifier.
3. Connect the switched remote.
4. Reattach negative wire (ground) to the battery.
5. Operation over **16V** will cause the amplifier to go into protect & can void the warranty!

B² audio

INSTALLATION

INSTALLATION CONSIDERATIONS

If you choose to install the amplifier by yourself, please read the entire owner's manual carefully. Before you start your installation, please take all steps into consideration. If in doubt, please go to www.b2audio.com for authorized distributors / dealers that will be able to configure your set up & ensure the warranty of your amplifier.

PREPARATION

Disconnect the negative (-) battery cable before mounting or making any connection. Check the battery & alternator ground (-) connection. Make sure they are properly connected/dimensioned & free of corrosion. Before selecting a mounting location for the amplifier, please take cooling & safety into consideration. Avoid areas with excessive vibration & up side down installation!

In order to avoid excessive heat from the amplifier, it is recommended to find a mounting location that allows for vertical positioning of the heatsink fins. For safety purposes, install the amplifier in a dry and well ventilated location and make sure no cables or other harness of the car is interfaced with the mounting location or will present a hazard to the car's cable, control cables, fuel lines/tanks, hydraulic lines or other components of the vehicle. Route the RCA cables away from high current wires, if possible run RCA, Power and Speaker cables individually and with a good distance from each other.

POWER CONNECTORS

12V (POWER CONNECTION)

Before mounting the amplifier, disconnect the negative (-) wire from the battery to protect any accidental damage to the amplifier or the audio system. The amplifier is equipped with 4 AWG power & ground terminals. It is crucial that all terminals are used with the adequate cable to ensure correct operation. Connect the power cables to the power terminal labeled as +12V.

The amplifier is not equipped with fuses, so external fuses are required at both the battery and the amplifier. Connect one end of the fuse holder to the power cable and the other end of the fuse holder to the positive battery terminal within 8" / 20 cm of the same cable. The same shall be done at the other end of the cable that connects to the amplifier. The fuses will protect the system and the vehicle against the possibility of a short circuit in the power cable. Make sure that the fuses and the fuse holder is according to the system requirements.

GND (GROUND CONNECTION)

Locate a secure grounding connection as close as possible to the amplifier. Make sure the location is clean and provides a direct electrical connection to the chassis of the vehicle. Connect one end of an equal sized cable as the positive cable to the location of ground. It is important that the ground cable is as short as possible, but no longer than 20" / 50 cm at maximum. Run one end of the cable to the grounding point. Run the other end of the cable to the mounting location. Connect the ground cable to the terminals labeled as GND.

REM (REMOTE CONNECTION)

Run a remote turn on cable from the switched +12 V source. This may be a toggle switch, a relay, the source unit's remote output cable or power antenna trigger cable. Connect the remote turn on cable to the power terminal labeled as REM. The REM out terminal is mainly intended for connection of another amplifier ran in a chain, but it can also be used for other units.

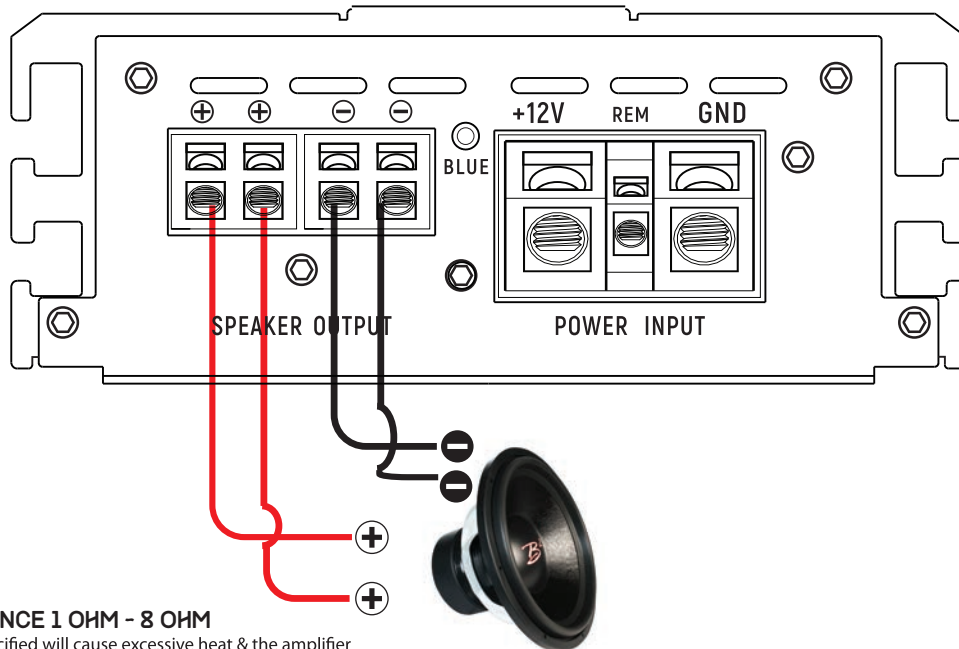
INPUT (RCA CABLE)

Run the RCA cables away from the high current cables / speaker cables and connect to the amplifier. Use high quality cables with a secure grounding point to avoid amplifier malfunction and / or alternator whine.

B² audio

SPEAKER CONNECTION

RAGE 850 MI



SPEAKER IMPEDANCE 1 OHM - 8 OHM

Loads under what is specified will cause excessive heat & the amplifier will reach thermal at a faster rate & will eventually go into protect.

Impedance load under 1 ohm is not warranted!

We recommend using minimum 12 Ga speaker cables to acquire the intended performance & efficiency. Run the speaker cables from your speakers to the amplifier's mounting location. Ensure these are ran separately and away from high current cables and if possible the RCA cables as well. In all cases where cables are penetrating the vehicle's chassis use grommets to protect the cable. Connect the speaker wires according to the terminals on the speaker(s). Strip 3/8" / 1 cm of insulation of the end of each cable and twist the cable strands together tightly. Make sure there are no stray strands that could touch other cables or terminals as it can cause a short circuit. Crimp spade plugs over the end of the cable or tin the ends with solder to provide a solid terminal. Connect the cable ends to the amplifier as shown in the diagram.

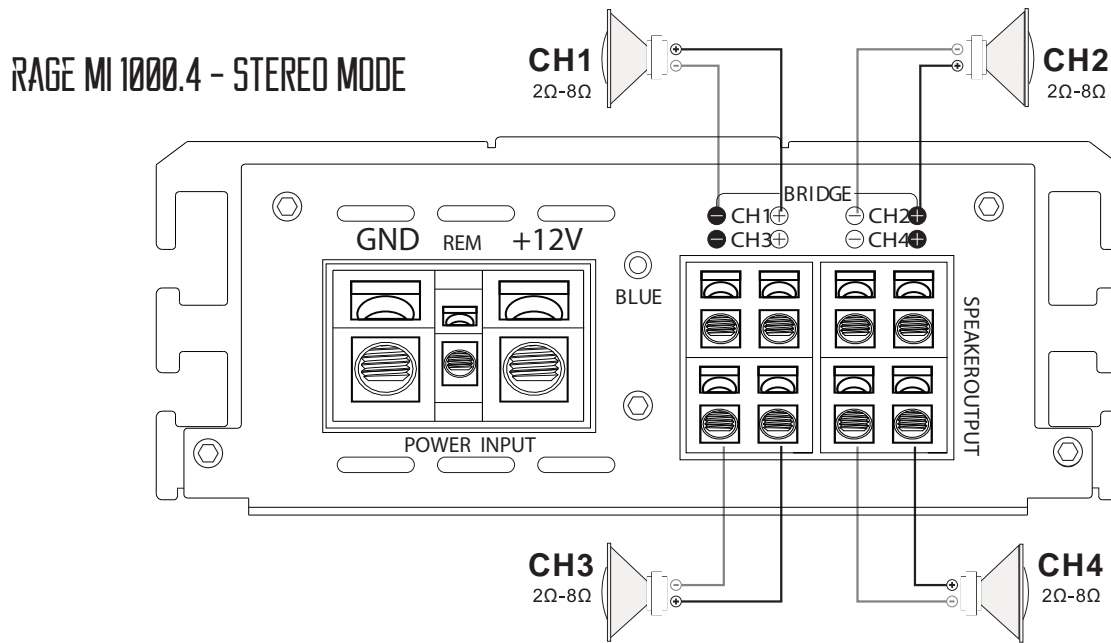
⚠ CAUTION

INSTALLATION OF THE AMPLIFIER SHALL BE DONE IN THE FOLLOWING STEPS:

1. Connect the +12V wire, keep in mind this wire has to be fused at the battery as well.
2. Ensure the ground is appropriate, then connect it to the amplifier.
3. Connect the switched remote.
4. Reattach negative wire (ground) to the battery.
5. Operation over **16V** will cause the amplifier to go into protect & can void the warranty!

B² audio

SPEAKER CONNECTION



SPEAKER IMPEDANCE 2 OHM - 8 OHM

Loads under what is specified will cause excessive heat & the amplifier will reach thermal at a faster rate & will eventually go into protect.

Impedance load under 2 ohm is not warranted!

We recommend using minimum 12 Ga speaker cables to acquire the intended performance & efficiency. Run the speaker cables from your speakers to the amplifier's mounting location.

Ensure these are ran separately and away from high current cables and if possible the RCA cables as well.

In all cases where cables are penetrating the vehicle's chassis use grommets to protect the cable.

Connect the speaker wires according to the terminals on the speaker(s). Strip 3/8" / 1 cm of insulation of the end of each cable and twist the cable strands together tightly. Make sure there are no stray strands that could touch other cables or terminals as it can cause a short circuit.

Crimp spade plugs over the end of the cable or tin the ends with solder to provide a solid terminal.

Connect the cable ends to the amplifier as shown in the diagram. Bridged speaker connection will add the channels together. The 4 ch amplifier will then be a 2 channel. However you can

configure the 4 ch to have 3 channels. This setup can be used for a set of front speakers and a mid-/subwoofer.

Bridged speaker connection impedance is 4 ohm only !

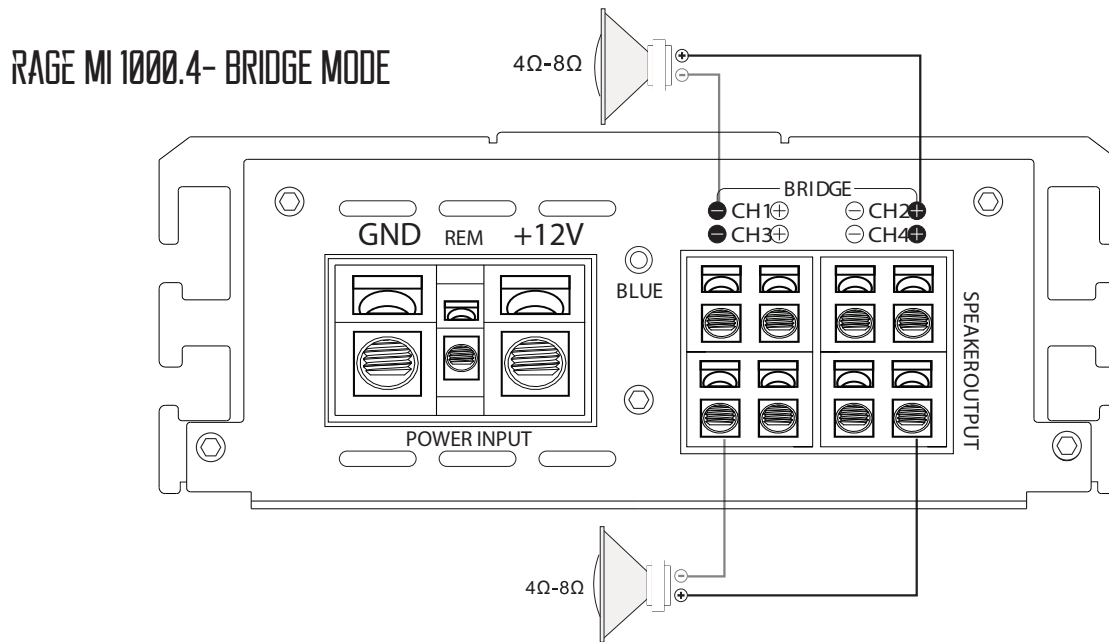
⚠ CAUTION

INSTALLATION OF THE AMPLIFIER SHALL BE DONE IN THE FOLLOWING STEPS:

1. Connect the +12V wire, keep in mind this wire has to be fused at the battery as well.
2. Ensure the ground is appropriate, then connect it to the amplifier.
3. Connect the switched remote.
4. Reattach negative wire (ground) to the battery.
5. Operation over **16V** will cause the amplifier to go into protect & can void the warranty!

B² audio

SPEAKER CONNECTION



SPEAKER IMPEDANCE 4 OHM - 8 OHM

Loads under what is specified will cause excessive heat & the amplifier will reach thermal at a faster rate & will eventually go into protect.

Impedance load under 4 ohm is not warranted!

We recommend using minimum 12 Ga speaker cables to acquire the intended performance & efficiency. Run the speaker cables from your speakers to the amplifier's mounting location.

Ensure these are ran separately and away from high current cables and if possible the RCA cables as well.

In all cases where cables are penetrating the vehicle's chassis use grommets to protect the cable.

Connect the speaker wires according to the terminals on the speaker(s). Strip 3/8" / 1 cm of insulation of the end of each cable and twist the cable strands together tightly. Make sure there are no stray strands that could touch other cables or terminals as it can cause a short circuit.

Crimp spade plugs over the end of the cable or tin the ends with solder to provide a solid terminal.

Connect the cable ends to the amplifier as shown in the diagram. Bridged speaker connection will add the channels together. The 4 ch amplifier will then be a 2 channel. However you can

configure the 4 ch to have 3 channels. This setup can be used for a set of front speakers and a mid-/subwoofer.

Bridged speaker connection impedance is 4 ohm only !

⚠ CAUTION

INSTALLATION OF THE AMPLIFIER SHALL BE DONE IN THE FOLLOWING STEPS:

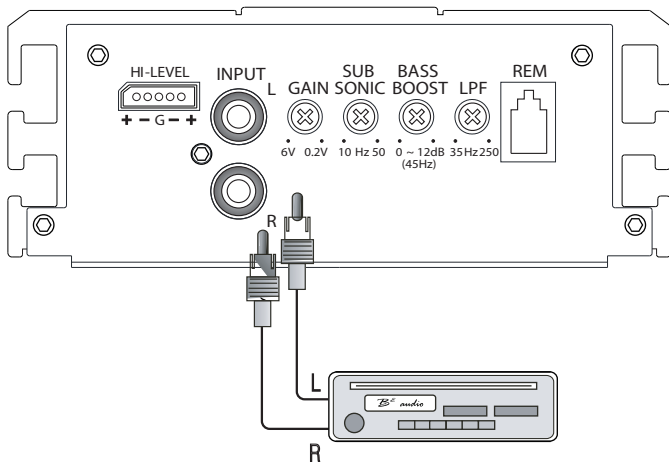
1. Connect the +12V wire, keep in mind this wire has to be fused at the battery as well.
2. Ensure the ground is appropriate, then connect it to the amplifier.
3. Connect the switched remote.
4. Reattach negative wire (ground) to the battery.
5. Operation over **16V** will cause the amplifier to go into protect & can void the warranty!

B² audio

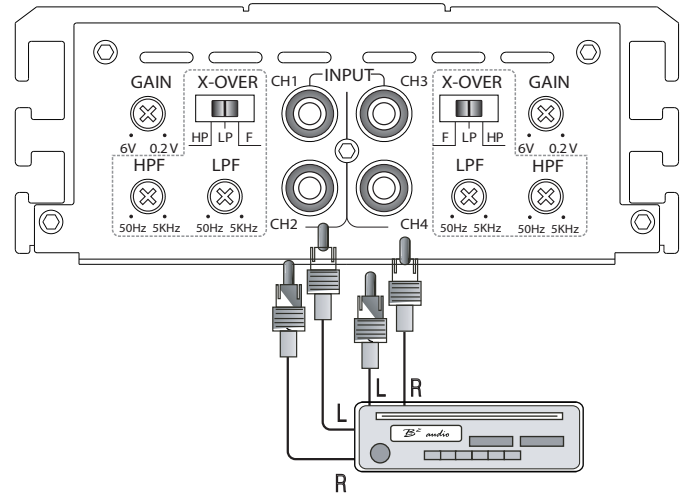
INPUT SIGNAL

RCA LINE CONNECTION

RAGE MI 850



RAGE MI 1000.4



RCA line input from a Head-Unit, DSP or any source with RCA will be possible to use. The signal shall not exceed 6v and has to be at least 0.2v from the source. Using the wrong signal, can damage the input section or require excessive gain, which can lead to distortion.

Caution: Don't use the high and low level input at the same time!

⚠ CAUTION

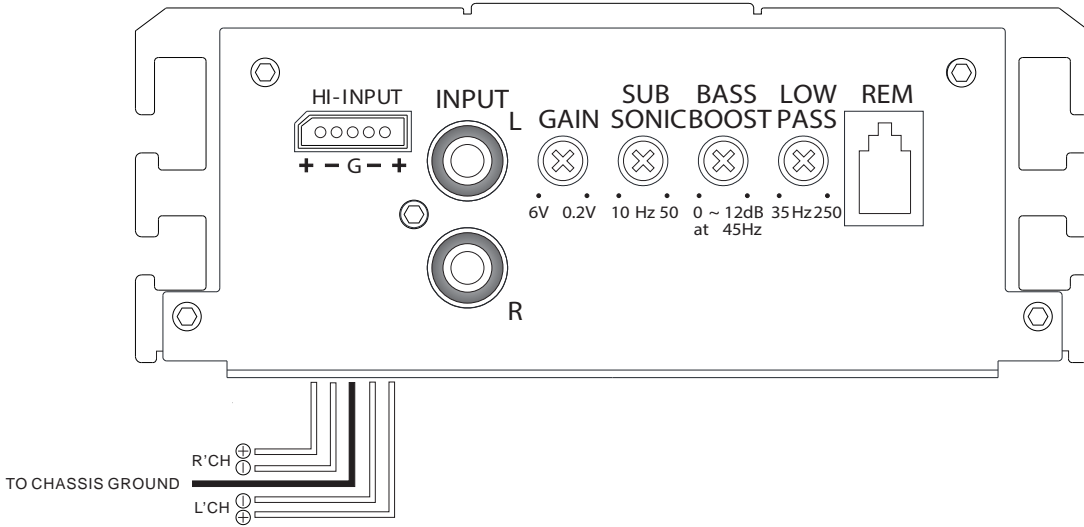
INSTALLATION OF THE AMPLIFIER SHALL BE DONE IN THE FOLLOWING STEPS:

1. Connect the +12V wire, keep in mind this wire has to be fused at the battery as well.
2. Ensure the ground is appropriate, then connect it to the amplifier.
3. Connect the switched remote.
4. Reattach negative wire (ground) to the battery.
5. Operation over **16V** will cause the amplifier to go into protect & can void the warranty!

B² audio

INPUT SIGNAL

RAGE 850 MI - HIGH LEVEL CONNECTION



High level input from loudspeaker wires, this option is only preferred if there is no RCA connection available. This will provide a signal input from the oem wire harness in the car.

Caution: Don't use the high and low level input at the same time!
Do check if the vehicle has an active (amplified) system, as it may not be compatible with an aftermarket amplifier, without modification.

⚠ CAUTION

INSTALLATION OF THE AMPLIFIER SHALL BE DONE IN THE FOLLOWING STEPS:

1. Connect the +12V wire, keep in mind this wire has to be fused at the battery as well.
2. Ensure the ground is appropriate, then connect it to the amplifier.
3. Connect the switched remote.
4. Reattach negative wire (ground) to the battery.
5. Operation over **16V** will cause the amplifier to go into protect & can void the warranty!

B² audio

TROUBLESHOOTING

The protection circuits of the amplifier prevents severe damages from faulty conditions & improper use. The protection indicator will switch on due to short circuit connection & speaker overload, thus the amplifier will be turned off. Prior to inspecting the occurred problem, turn all levels down & all power off, then carefully check the installation for wiring mistakes, shorts or faulty ground (GND). If the amplifier shuts down due to excessive heat, the protection indicator will light up; please allow time for the unit to be cooled off. Before removing your amplifier, refer to the list below and follow the suggested procedures step by step. If not at ease, contact an authorized installer which can assist you.

AMPLIFIER DOESN'T TURN ON

- Measure voltage on the +12V terminal.
- Ensure that the remote terminal has min. 13.8 V DC remote connection.
- Recheck the ground (GND) connection. Inspect the in-line fuses.
- Check the protection LED is not on.

PROTECTION LED IS LIT ONCE THE AMPLIFIER IS TURNED ON

- Check shorts on speaker wires & the connected load / impedance. Check power cables & GND.
- Disconnect the speaker cables and reset the amplifier.
- High / Low voltage, operation voltage is 10V ~ 16V. Voltages below / beyond this will cause the amplifier to go into protect.

FUSE BLOWING

- Measure the speaker impedance & that it is in accordance with the configuration.
- Inspect the power cable for shorts along with vehicle chassis.

OVERHEATING

- Measure the speaker impedance & that it is in accordance with the configuration.
- Check speaker shorts.
- Ensure airflow around the amplifier is sufficient & that the amplifier is not installed in areas of excessive vibration & upside down!

AUDIO OUTPUT INSUFFICIENT - DISTORTED SOUND

- Ensure that the gain settings on the amplifier is matched with the output level of the head unit.
- Adjust the head unit volume.
- Check speaker shorts.
- Adjust the crossover frequencies in accordance with the setup.
- If no output at all, check the RCA connections & the cable itself.

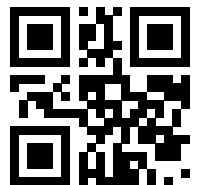
TURN ON THUMP

- Disconnect the signal input to the amplifier, then turn it on and off.
 - a) If the noise is cancelled, then connect a delay turn on module on the REM wire running from the source unit to the amplifier.
 - b) Use another 12V source for REM lead to the amplifier. If the noise is cancelled, use a relay to isolate the amplifier from the turn on thump.

HIGH HISS-ENGINE NOISE IN SPEAKERS

- Ensure that all signal transferring wires (RCA, speaker cables etc) are kept separately / away from the power and the ground wires.
- Bypass all electrical components between the Head unit and the amplifier.
Connect the Head unit directly to the amplifier's input. If the noise is eliminated, the unit bypassed is the one causing the noise.
- Remove the existing ground wires for all electrical components installed. Ensure that the point of ground is 100% metal which has been grinded free of rust, paint etc.
- Replace the ground cable from the OEM battery / alternator and ensure it is grounded accordingly.
- Test the battery and alternator load (can be carried out by a professional).
Ensure that the vehicle's electrical system is in a good condition, this includes distributor, alternator, spark plugs / wires, voltage regulators etc.

B² audio



AUDIOPHILE ACOUSTICS

B2[®]

SWEET LIKE DANISH

LIMITED WARRANTY INFORMATION

B2 audio offers a limited warranty under the following terms:

The product is to be free of defects in material & workmanship under normal use for a period of 1 year from the date of the original purchase, when installed by an authorized dealer. Items not installed by authorized dealers will be warranted for 30 days from the original purchase. Original sales receipts must be accompanied with all returns. The warranty applies to the original purchaser of the product & it being sold by authorized B2 audio dealers.

- The warranty does not cover:
1. Damage caused by accident, abuse, misuse, improper operation, water / solvents & shipping.
 2. Product modification, neglect, failure to follow installation instructions & misrepresentation by the seller.
 3. Products used for competition purposes or are of such a character 4. Any product that has been opened.
 5. Products that has had the serial number defaced, altered or removed.
 6. The cost of shipping the product back for repair to an authorized repair centre & cost of return of non-defective items.

