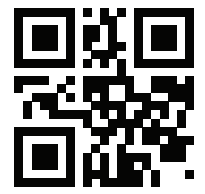


AUDIOPHILE ACOUSTICS



B2®

SWEET LIKE DANISH

RIOT SERIES SUBWOOFERS

MODEL: RIOT FL10

MODEL: RIOT10D2

MODEL: RIOT12D2

MODEL: RIOT12D4

MODEL: RIOT15D2

MODEL: RIOT15D4

PRODUCT ID: RIFL101S

PRODUCT ID: RI10D21S

PRODUCT ID: RI12D21S

PRODUCT ID: RI12D41S

PRODUCT ID: RI15D218

PRODUCT ID: RI15DR18

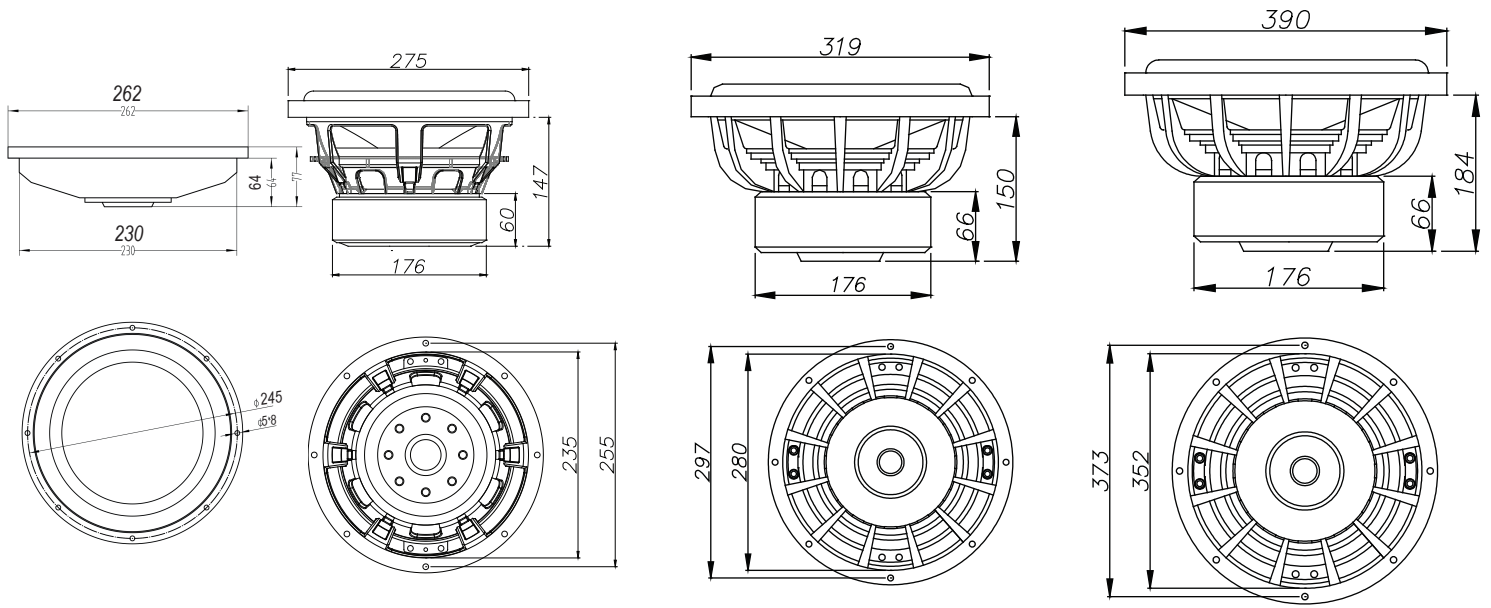
WWW.B2AUDIO.COM / WWW.FACEBOOK.COM/B2AUDIO





SWEET LIKE DANISH

MODEL: RIOT FL10 / RIOT10 / RIOT12 / RIOT15



MODEL:	RIOT FL10 S4	RIOT1002	RIOT1202	RIOT1204	RIOT1502	RIOT1504
SENSITIVITY:	86.2 dB	86.2 dB	89 dB	86.2	92.1 dB	89.7 dB
NOMINAL IMPEDANCE:	Single 4 Ω	Dual 2 Ω	Dual 2 Ω	Dual 4 Ω	Dual 2 Ω	Dual 4 Ω
DC RESISTANCE (DC):	3.6 Ω	1.9 Ω	1.9 Ω	3.2 Ω	1.9 Ω	3.2 Ω
VOICE COIL DIM:	2"	3"	3"	3"	3"	3"
POWER HANDLING*:	200 Watts	750 Watts	750 Watts	750 Watts	750 Watts	750 Watts
PEAK DYNAMIC POWER:	400 Watts	1500 Watts	1500 Watts	1500 Watts	1500 Watts	1500 Watts
XMAX ONE WAY (MM):	8	18	18	18	18	18
VAS:	20.4 L	14.1 L	29.5 L	26.4 L	62.2 L	63.2 L
FS:	40 Hz	33.6 Hz	33.9 Hz	34.5 Hz	30.9 Hz	30.4 Hz
QES:	1.31	0.53	0.54	0.62	0.54	0.63
QMS:	7.37	5.13	5.19	4.94	5.49	5.54
QTS:	1.1	0.53	0.49	0.55	0.49	0.56
MAGNET:	100 Oz	240 Oz	240 Oz	240 Oz	240 Oz	240 Oz
DISPLACEMENT:	1.1 L / .04 cu.ft	3 L / .11 cu.ft	3.8 L / .13 cu.ft	3.8 L / .13 cu.ft	6.1 L / 0.22 cu.ft	6.1 L / 0.22 cu.ft

TYPE	ENCLOSURE SUGGESTIONS			BP 4TH
	SEALED	PORTED COMPACT	PORTED	
RIOT FL10	10 L / .371 cu.ft Otc 1.1	20 L / 0.706 cu.ft P: 3" L: 14" / 35.6 cm FB: 40 Hz		
RIOT1002	20 L / .706 cu.ft Otc 0.419	35 L / 1.236 cu.ft P: 4" L: 15.74" / 40 cm FB: 38 Hz	50 L / 1.76 cu.ft P: 4" L: 13.26" / 33.6 cm FB: 34 Hz	3:1 Ratio
RIOT1202	25 L / .706 cu.ft Otc 0.55	46 L / 1.63 cu.ft P: 4" L: 10.58" / 26.9 cm FB: 38 Hz	75 L / 2.63 cu.ft P: 2x3" L: 10.64" / 27 cm FB: 32 Hz	3:1 Ratio
RIOT1204	25 L / .706 cu.ft Otc 0.6	40 L / 1.413 cu.ft P: 4" L: 12.8" / 32.5 cm FB: 38 Hz	75 L / 2.63 cu.ft P: 2x3" L: 10.7" / 27.2 cm FB: 32 Hz	3:1 Ratio
RIOT1502	32 L / 1.125 cu.ft Otc 0.625	80 L / 2.83 cu.ft P.A. 32.55 sq.in L: 18.22" / 46.3 cm FB: 38 Hz	134 L / 4.73 cu.ft P.A. 32.55 sq.in L: 14.7" / 37.3 cm FB: 32 Hz	3:1 Ratio
RIOT1504	32 L / 1.125 cu.ft Otc 0.7	80 L / 2.83 cu.ft P.A. 32.55 sq.in L: 18.22" / 46.3 cm	190 L / 6.73 cu.ft P.A. 32.55 sq.in L: 9.1" / 23.1 cm	3:1 Ratio
		FB: 38 Hz	FB: 32 Hz	

*It's essential that our speakers are given time to allow the suspension to soften up. Depending on use, this may take several weeks. While this process is undergoing, it is not recommended to apply full amplification power according to the speaker's specs. Once the moving parts have been broken in, the performance of your speaker will increase. Abuse of the unit is **not** covered by warranty. The warranty does not cover (1) Speakers that have been used for spl purpose in competitions, (2) Damage caused by amplifier clipping or distortion, (3) Exposure to water, oil, solvent & excessive temperatures +/- (5) Cost of shipping to / from authorized service center.