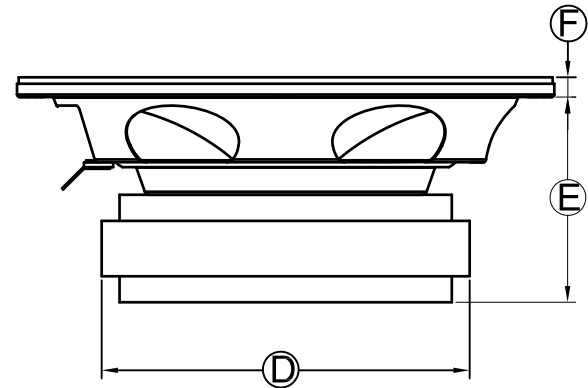
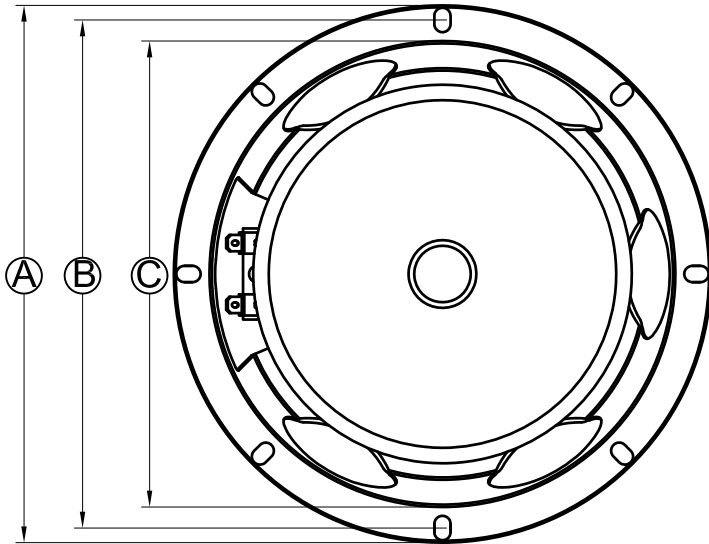




MODEL: HNTT

Product id: HNTT412



A	Ø 97,9
B	
C	Ø 85,5

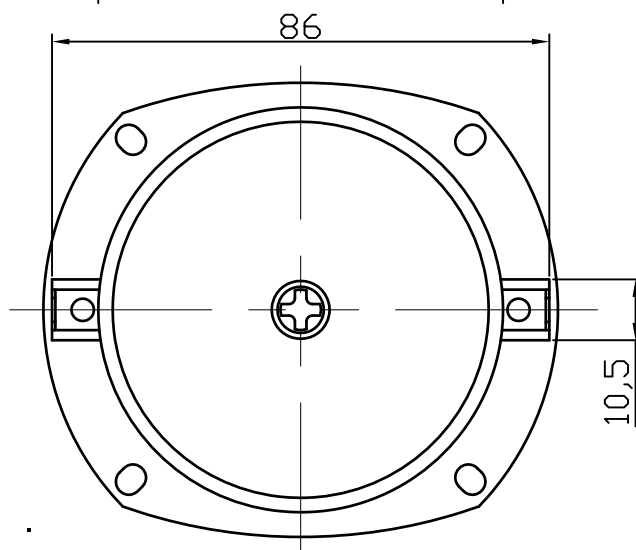
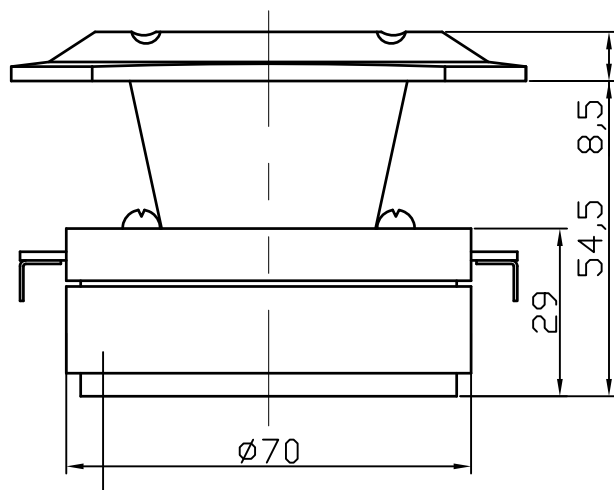
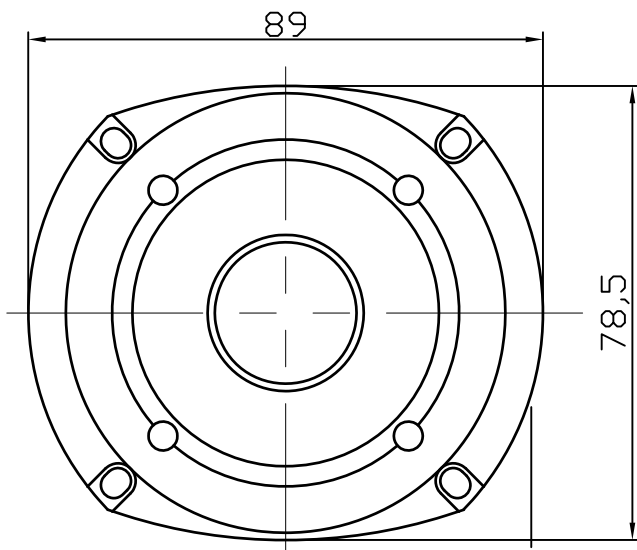
D	Ø 69,5
E	28
F	

Power handling*:	30 W / 120 W
Frequency response:	2 Khz ~ 20 KHz
Sensitivity:	102 dB
Nominal impedance:	4Ω
DC Resistance (RE):	3.9Ω
Recommended cut off frequency:	5 Khz / 12 dB min
Voice coil diameter:	1"



MODEL: HNT1

Product id: HNT1413



Power handling*:	30 W / 100 W
Sensitivity:	103 dB
Nominal impedance:	4 Ω
Frequency response:	3 KHz ~ 22 KHz
Recommended cut off frequency:	4,5 KHz / 12 dB min
Voice coil:	1"

B² audio



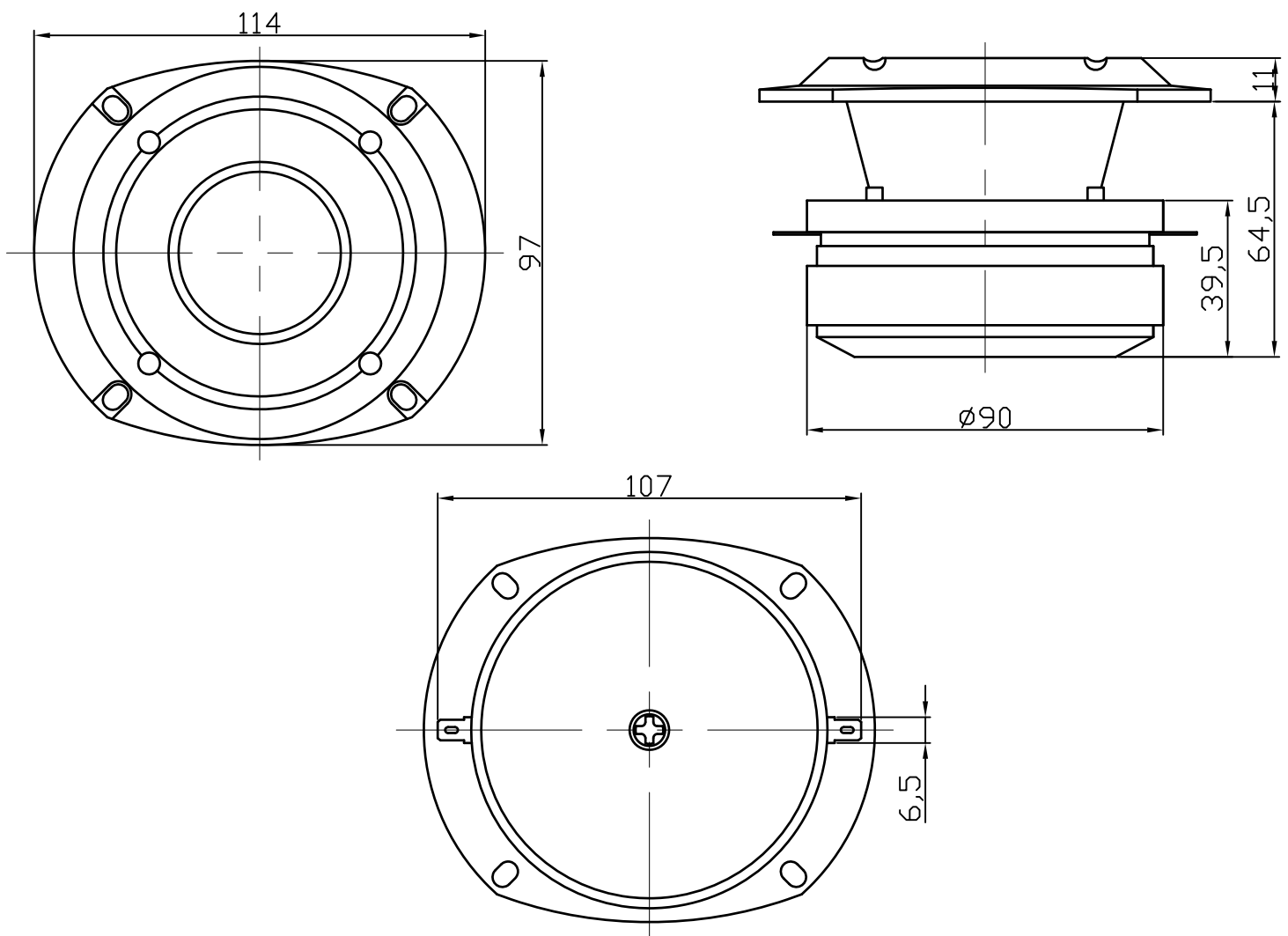
www.b2audio.com
www.facebook.com/sweetlikedanish
www.youtube.com/b2audio
www.instagram.com/b2_audio
www.twitter.com/b2_audio

*It's essential that our speakers are given time to allow the suspension to soften up. Depending on use, this may take several weeks. While this process is undergoing, it is not recommended to apply full amplification power according to the speakers specs. Once the moving parts have been broken in, the performance of your speaker will increase.



MODEL: HNT4

Product id: HNT4413



Power handling*:	50 W / 150 W
Sensitivity:	105 dB
Nominal impedance:	4 Ω
Frequency response:	3 KHz ~ 22 KHz
Recommended cut off frequency:	5 KHz / 12 dB min
Voice coil:	1.75"

B² audio



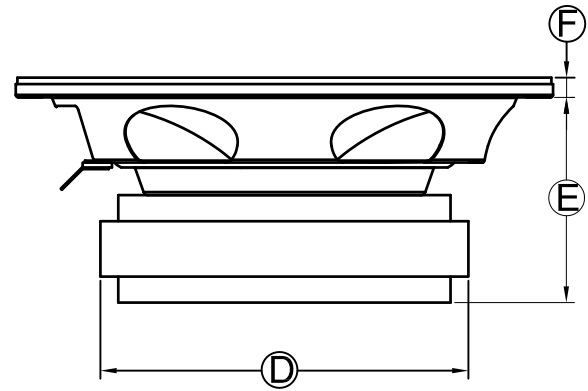
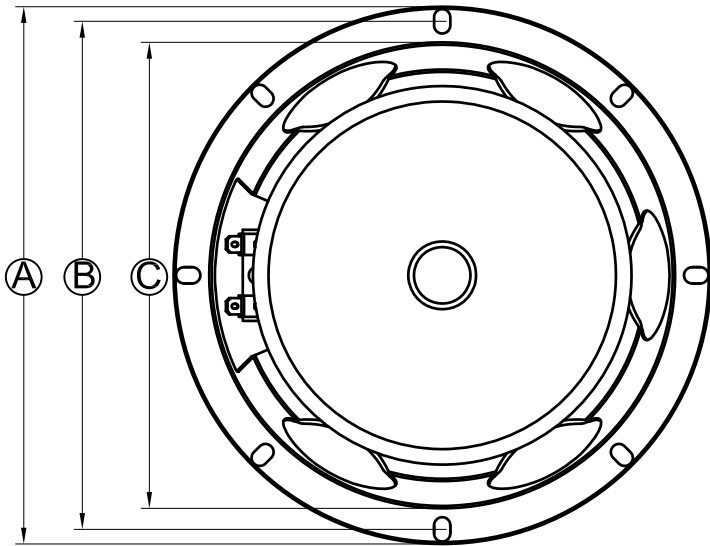
www.b2audio.com
www.facebook.com/sweetlikedanish
www.youtube.com/b2audio
www.instagram.com/b2_audio
www.twitter.com/b2_audio

*It's essential that our speakers are given time to allow the suspension to soften up. Depending on use, this may take several weeks. While this process is undergoing, it is not recommended to apply full amplification power according to the speakers specs. Once the moving parts have been broken in, the performance of your speaker will increase.



MODEL: HN6

Product id: HN6S814



A	Ø165
B	Ø156
C	Ø143

D	Ø100
E	59
F	6.5

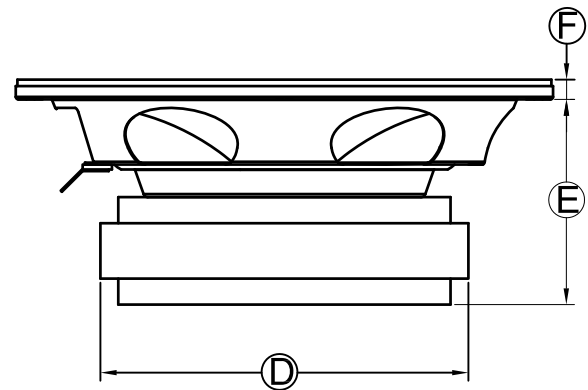
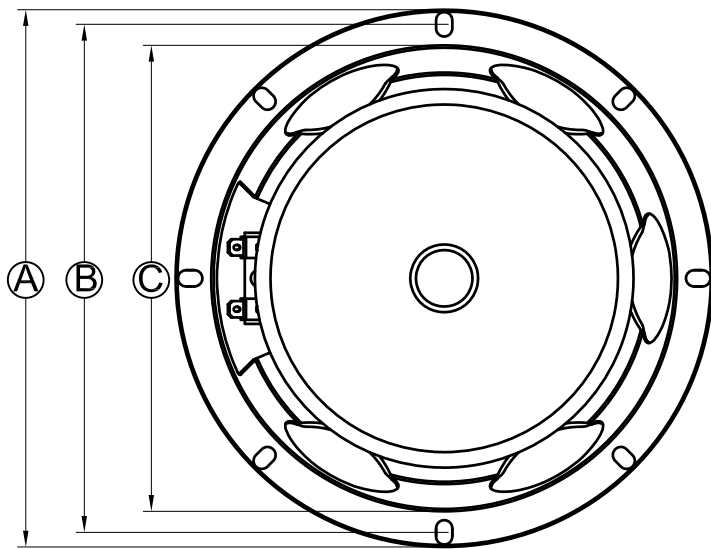
Power handling*:	100 W AES
Sensitivity:	97 dB
Nominal impedance:	8 Ω
X-Max:	1.5 mm
Equivalent Compliance (Vas):	6,5 L
Free Air Resonance (Fs):	100 Hz
Electrical "Q" (Qes):	0,51
Mechanical "Q" (Qms):	4,98
Total Speaker "Q" (Qts):	0,53
DC Resistance (Re):	5.8 Ω
Magnet weight (Oz):	20 Oz

*It's essential that our speakers are given time to allow the suspension to soften up. Depending on usage, this may take several weeks. While this process is undergoing, it is not recommended to apply full amplification power according to the speakers specs. Once the moving parts have been broken in, the performance of your speaker will increase.



MODEL: HN8

Product id: HN8D412



A	Ø209
B	Ø196
C	Ø179

D	Ø134
E	61
F	8

Power handling*:	200 W AES
Sensitivity:	98,7 dB
Nominal impedance:	4Ω
X-Max:	2 mm
Equivalent Compliance (Vas):	7,2 L
Free Air Resonance (Fs):	89,7 Hz
Electrical "Q" (Qes):	0,48
Mechanical "Q" (Qms):	4,7
Total Speaker "Q" (Qts):	0,43
DC Resistance (Re):	3Ω
Magnet weight (Oz):	35 Oz

*It's essential that our speakers are given time to allow the suspension to soften up. Depending on usage, this may take several weeks. While this process is undergoing, it is not recommended to apply full amplification power according to the speakers specs. Once the moving parts have been broken in, the performance of your speaker will increase.