

MAXDRV

Square Drive Torque
Wrenche

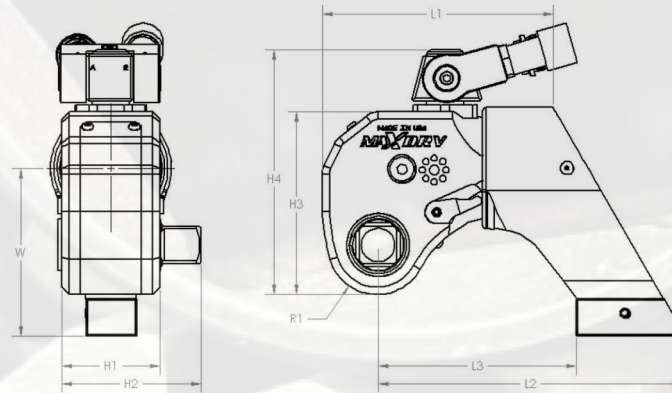


MAXDRV – Square Drive Torque Wrenches take on the toughest bolting jobs without missing a beat. They deliver precision torque during bolt makeup and maximum torque during bolt breakout.

They feature a compact design, constructed of aluminum and super high-strength steel alloy for increased strength and durability while minimizing weight. The MAXDRV Series is available from 86 Nm to 44,095 Nm

MAXDRV FEATURES:

- Compact Design/Uni-body Housing
- Multi-Directional Swivel Assembly
- 1 Year Warranty
- Anti-Jam Torque Release Lever
- Best in Industry Strength-To-Weight Ratio



Model	.7MD		1MD		3MD		5MD		10MD		17MD		32MD	
Torque (ft-lbs.)	64 - 793		125 - 1,318		308 - 3,167		525 - 5,480		1,050 - 11,206		1,653 - 18,446		2,957 - 32,523	
Torque (Nm)	86 - 1,076		169 - 1,787		418 - 4,294		712 - 7,430		1,423 - 15,193		2,241 - 25,009		4,009 - 44,095	
Drive	.75"		.75"		1.00"		1.50"		1.50"		2.50"		2.50"	
Weight	3.2 lbs	1.45 kg	5 lbs	2.27 kg	11 lbs	5.00 kg	18 lbs	8.16 kg	32 lbs	14.51 kg	61 lbs	27.67 kg	98 lbs	44.55 kg
L1	3.90"	99.1 mm	4.83"	122.7 mm	6.18"	157.0 mm	7.47"	189.7 mm	9.36"	237.7 mm	10.85"	275.6 mm	13.34"	338.8 mm
L2	5.08"	129.0 mm	6.23"	158.2 mm	8.13"	206.5 mm	9.73"	247.1 mm	12.22"	310.4 mm	14.20"	360.7 mm	17.41"	442.2 mm
L3	3.32"	84.3 mm	4.11"	104.4 mm	5.31"	134.9 mm	6.41"	162.8 mm	8.02"	203.7 mm	9.19"	233.4 mm	11.41"	289.8 mm
H1	1.62"	41.1 mm	1.97"	50.0 mm	2.63"	66.8 mm	3.16"	80.3 mm	3.95"	100.3 mm	4.63"	117.6 mm	5.63"	140.0 mm
H2	2.56"	65.0 mm	2.88"	73.2 mm	3.72"	94.5 mm	4.93"	125.2 mm	5.75"	146.1 mm	6.98"	177.3 mm	8.10"	205.7 mm
H3	3.02"	76.7 mm	3.77"	95.8 mm	4.88"	124.0 mm	5.97"	151.6 mm	7.35"	186.7 mm	8.50"	215.9 mm	10.47"	265.9 mm
H4	4.29"	108.9 mm	4.97"	126.2 mm	6.46"	164.1 mm	7.71"	195.8 mm	9.04"	229.6 mm	10.36"	263.1 mm	12.17"	309.1 mm
W	1.50"	38.1 mm	3.45"	87.6 mm	4.49"	114.1 mm	5.39"	136.9 mm	6.73"	170.9 mm	7.82"	198.6 mm	9.60"	243.8 mm
R1	.83"	21.1 mm	1.04"	26.4 mm	1.31"	33.3 mm	1.63"	41.4 mm	2.03"	51.6 mm	2.32"	58.9 mm	2.88"	73.2 mm

MAXDRV ACCESSOIRES



The MaxDrv Series Hydraulic Torque Wrenches can produce a high torque output from a small versatile tool. Your bound to find an MaxDrv Square Drive Wrench to suit your application needs.