

AEP Diode-module

2000 A 60 V Version

- Innovative in energy storage & Power Electronics
- Custom-made solutions
- Complete solution: storage & Power Electronics
- Design and system integration

Features

- 48 kW peak power, U_n 24V
- Peak current 2000A
- Low voltage drop
- Passive Air-Cooling

Applications

A selection of potential applications are:

- Parallel connection of ultracapacitors
- Reverse battery protection
- UPS systems
- Battery support during charging
- Optional: 3 phase rectifier

Typical application field are:

- Extension of AEP Powerstart 500
- Engine rooms



Mechanical Data

Length x Width x Height
204 x 164 x 143 mm
Approx. 2.6 kg



Technical Characteristics

Symbol	Parameter	Description	Value	Unit
General				
P_c	continuous power	@ U_r		kW
P_{peak}	Peak power		48	kW
η_r	Efficiency	@ P_{Peak}	>96	%
U_r	Rated voltage		24	V DC
$U_{in, max}$	Maximum voltage		60	V DC
I_{pr}	Maximum current		2000	A
Environment				
T_o	Operating temperature		-30 till 50	°C
$T_{storage}$	Storage temperature		-55 till +150	°C
	Protection degree		IP65	
Cooling				
T_{amb}	Ambient temperature	Passive air cooling @ P_c	< 40	°C

Connections

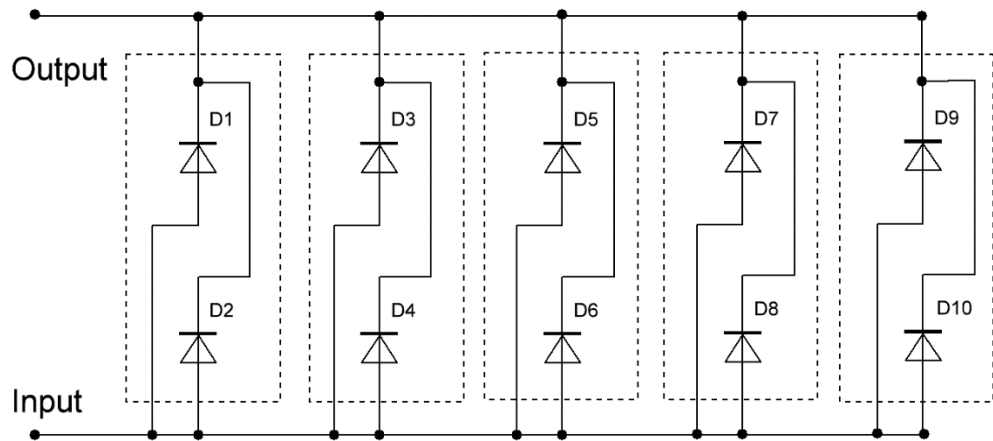
- Positive Terminal M12 stud
- Negative Terminal M10 stud

Options

- Copper busbar from positive terminal of the Powerstart to the electrical input of the diode module.
- Forced air cooled for higher continuous current.



Electrical diagram



Mechanical Data

Length x Width x Height: 204 x 164 x 143 mm
Weight: 2.6 kg

