

FEATURES

- Compact size and energy dense
- Higher voltage
- Quick charge and discharge
- RoHS & Reach compliant

APPLICATIONS

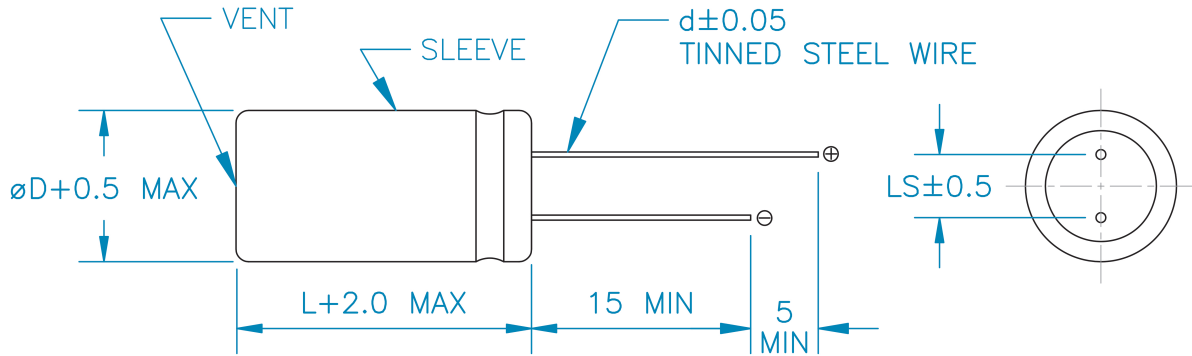
- Pulse power demand
- Ride thru power support
- Back up power
- Stand alone or augment existing energy/power source




GENERAL SPECIFICATIONS

| Item | Performance |
|---|--|
| Operating temperature | -15°C to +70°C @ 3.8V -15°C to +85°C @ 3.5V |
| Storage temperature | -25°C to +70°C |
| Capacitance | 220F |
| Capacitance tolerance | +/-20% |
| Rated voltage | 3.8 VDC / 3.5 VDC |
| Minimum rated voltage | 2.2 VDC |
| Surge voltage | 4.2 VDC |
| Temperature characteristics | Capacitance change: Within ±50% of initial measured value at +25°C (-15°C to +70°C) Internal resistance: Within ±800% of initial measured value at +25°C (at -15°C) |
| Endurance (At rated voltage & max. operating temp) | After 1000 hours: Capacitance change: ±30% of initial rated value Internal resistance: Within 2 times of initial specified value |
| Projected cycle life (From rated voltage to 1/2 rated voltage at 25°C) | After 500,000 cycles: Capacitance change: Within ±30 % of initial rated value Internal resistance: Within 2 times of initial specified value |
| Shelf life | After 1000 hours storage, at 70°C without load, the capacitor shall meet the specified endurance limits. |

DIMENSIONS



STANDARD PRODUCTS

| Part Number | UL | Nom. Cap. (F) | ESR AC (mΩ) (1 KHz) | ESR DC Typical (mΩ) | Leakage Current (mA) | Dimensions (mm) | | | | Rated Current (A) | Max Current (A) | Weight/Unit (grams) |
|---------------------|---|---------------|---------------------|---------------------|----------------------|-----------------|----|-----|-----|-------------------|-----------------|---------------------|
| | | | | | | D | L | d | LS | | | |
| TPLC-3R8/220MR16X25 |  | 220 | 65 | 95 | 0.005 | 16 | 25 | 0.8 | 7.5 | 1.1 | 13.1 | 10 |