

**FEATURES**

- Active cell balancing
- Rugged, fully enclosed system
- 16.2V working voltage
- Screw terminals
- Module-to-module cable included
- UL-recognized cells

**APPLICATIONS**

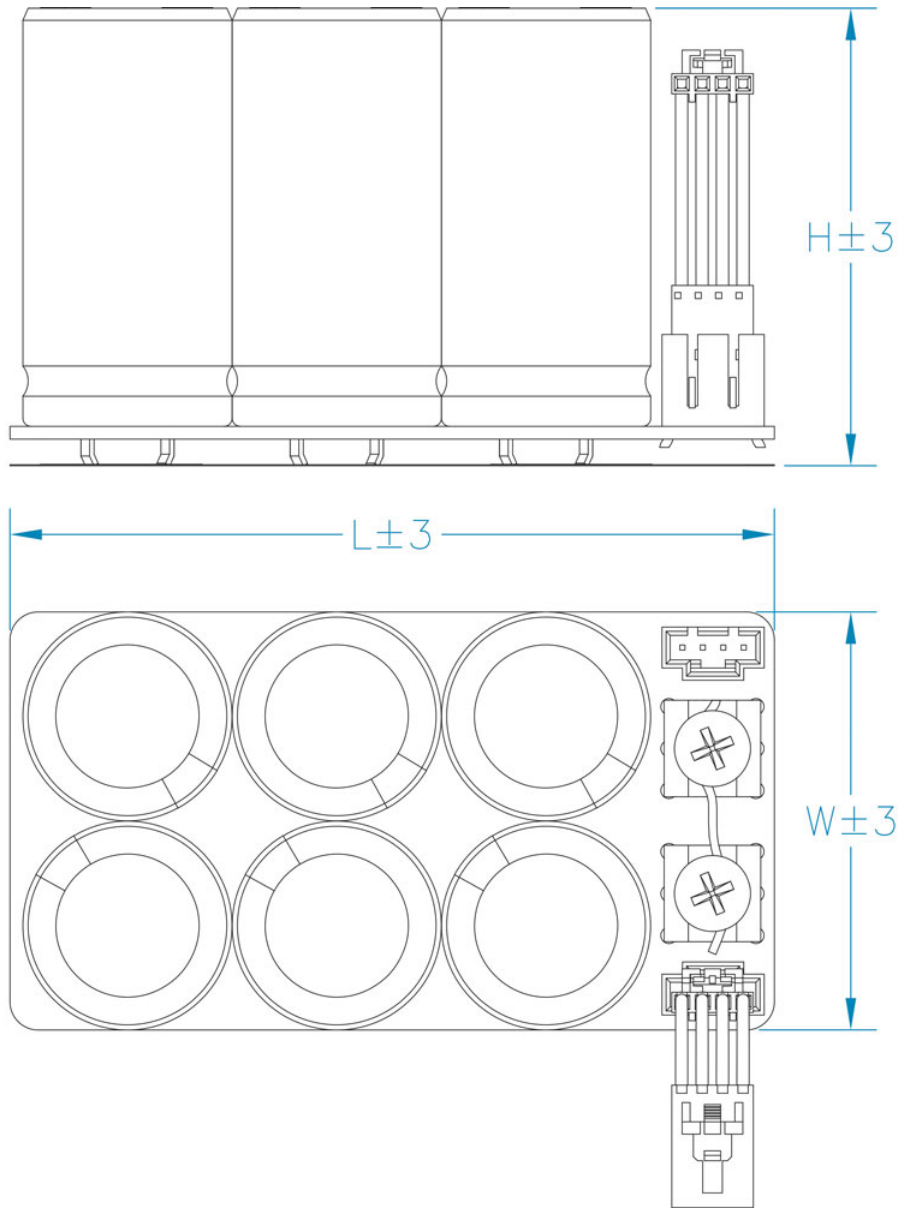
- Automotive subsystems
- Heavy-duty vehicle subsystems
- Windmill pitch control systems
- Wireless transmission



**GENERAL SPECIFICATIONS**

| Item  | Performance  |
|---|--|
| Operating temperature   | -40°C to +65°C   |
| Storage temperature   | -40°C to +70°C   |
| Capacitance   | 25F  |
| Rated voltage   | 16.2 VDC   |
| Temperature characteristics   | Capacitance change: Within $\pm 5\%$ of initial measured value at +25°C (-40°C to +65°C)<br>Internal resistance: Within $\pm 50\%$ of initial measured value at +25°C (at -40°C)                   |
| Endurance<br>(At rated voltage & max. operating temp)                     | After 1000 hours, the capacitor shall meet the following limits:<br>Capacitance change: Within $\pm 30\%$ of initial rated value<br>Internal resistance: Within 2 times of initial specified value |
| Projected Load life<br>(At rated voltage & 25°C)                          | After 10 years:<br>Capacitance change: Within $\pm 30\%$ of initial rated value<br>Internal resistance: Within 2 times of initial specified value  |
| Projected cycle life<br>(From rated voltage to 1/2 rated voltage at 25°C) | After 500,000 cycles:<br>Capacitance change: Within $\pm 30\%$ of initial rated value<br>Internal resistance: Within 2 times of initial specified value  |
| Shelf life  | After 1000 hours storage, at 70°C without load, the capacitor shall meet the specified endurance limits.   |

**DIMENSIONS**



**STANDARD PRODUCTS**

| Part Number | Nom. Cap. (F) | GMV (F)* | ESR DC (mΩ) | ESR AC (mΩ) (1KHz) | Leakage Current (mA) (72 hrs @ 25C) | Dimensions (mm) |    |    | Weight/Unit (grams) |
|-------------|---------------|----------|-------------|--------------------|-------------------------------------|-----------------|----|----|---------------------|
|             |               |          |             |                    |                                     | L               | W  | H  |                     |
| PBL-25/16.2 | 25            | 22.5     | 86          | 50                 | 0.53                                | 95              | 52 | 57 | 250                 |

\*NOTE: GMV = Guaranteed Minimum Value.