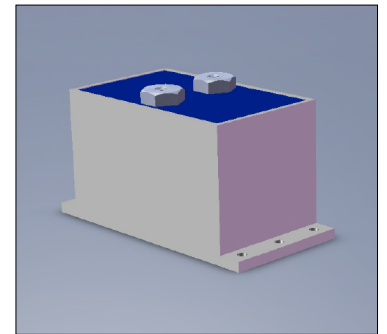
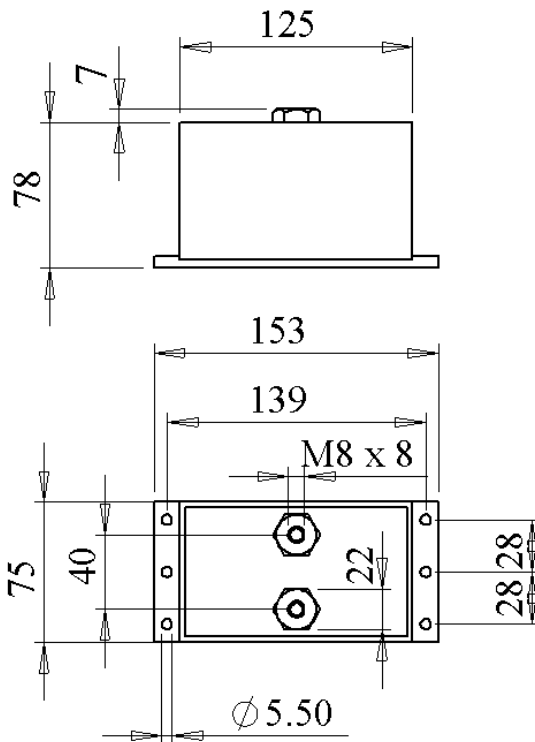


#5932

METALLIZED POLYPROPYLENE CAPACITORS

PPM 65-220.0 ru K

Dielectric
polypropylene metallized

Plastic case

polyurethan resin filled

Parameter	Symbol		Value	Unit	Condition
Capacitance	C		220	μF	1 V / 1 kHz
Tolerance			± 10	%	
Rated voltage	Un DC		650	VDC	
Overtoltage	U peak	1 s.	850	V	15 x
Current	I RMS		45	A	15 kHz
slope of voltage variation	du/dt max.		20	V/ μsec	
Repetitive surge courant	I cr. max		4400	A	
Tangente delta	tg δ		3C	1C^4	1 V / 1 kHz
Equivalent Serie Resistance	ESR		< 2.0	m Ω	1 V / 10 kHz
Stray inductance	ESL		≤ 90	nH	
Test voltage between terminals	U T		1'040	VDC	1 min
Operating temperature			- 55 / + 110 °C		
Dimension	Symbol			Unit	Conditions
Width	B		75	mm	
Height	H		78	mm	
Length	L		125	mm	
Terminals					
Thread			M 8 x 8	mm	
Thread spacing	RM		40	mm	
	M1				
	M0	28.06.2010	HJJ		
	Modification	Date	Visa émetteur		
Condensateurs	CH 1400 Yverdon, Switzerland				
Kondensatoren	Tel.: ++41 24 445 66 88				
Capacitors	Fax: ++41 24 445 66 89				
			HJJ	www.Lcap.ch 27.05.2010	capinfo@Lcap.ch faisab5932.XLS