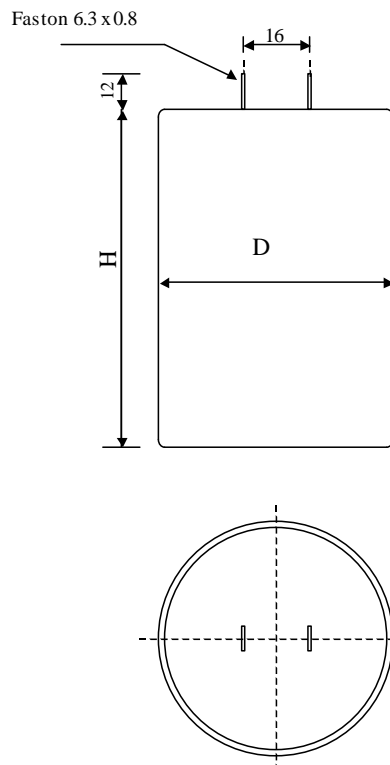


#5851

METALLIZED POLYPROPYLENE CAPACITORS

PPM 60-50.0 cs2 K



Dielectric of metallized polypropylene

FAST-ON 6.3 x 0.8 mm

Epoxy resin end sealing

Aluminium case

Parameter	Symbol	Value	Unit	Condition
Capacitance	C	50	μF	1 V / 1 kHz
Tolerance		± 10	%	
Rated voltage	Un DC	600	VDC	
Rated voltage	Un AC	120	VAC	50Hz to 100 Hz
slope of voltage variation	du/dt max.	15	V/ μsec	max. repetitive
Repetitive surge current	I cr. max	750	A	
Tangent delta	tg δ	≤ 7	10^{-4}	1 V / 100 Hz
Equivalent serie resistance	ESR	≤ 7.1	m Ω	1 V / 10 kHz
Stray inductance	ESL	≤ 70	nH	
Insulation resistance	Ri	> 600	M Ω	500 VDC - 1 min
Test voltage between terminals	U T1	1000	VDC	10 s.
Test voltage terminals to case	U T2	3000	VDC	1 min
Operating temp.		- 40 / + 85 °C		
Estimated operational life (-3%)		200'000	h	Un DC / 70°C
Dimension	Symbol		Unit	Conditions
Diameter	D	55	mm	
Height	H	80	mm	
Terminals fast-on		6.3 x 0.8	mm	
	M1			
	M0			
	Modification	Date	Visa émetteur	

Condensateurs CH 1400 Yverdon-les-Bains
 Kondensatoren Tel.: ++41 24 445 66 88
 Capacitors Fax: ++41 24 445 66 89

Le Janché
Capacitors
A FISSONER & MARCHE COMPANY

HJJ

16.09.2009

faisab5851.XLS