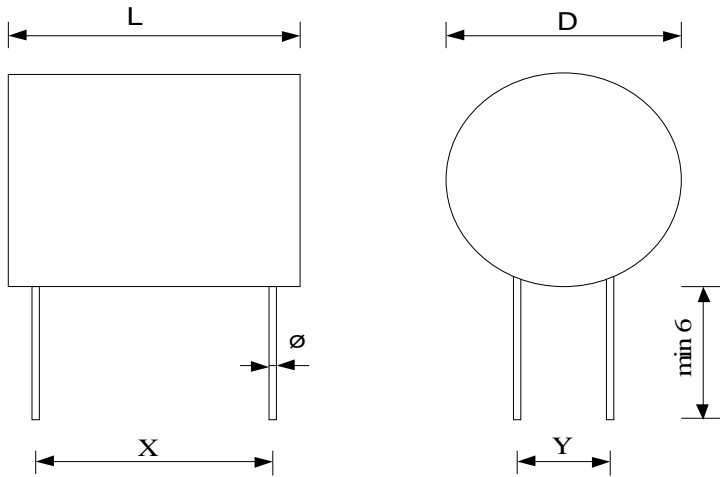


5277

Film Capacitor for Power Applications

PPM4 90-30.0 da (K)



Electrical Characteristics	Symbol		Unit	Conditions
Capacitance	C	30.0	μF	
Tolerance		± 10	%	
Nominal Voltage	Un DC	900	VDC	
Test Voltage	U T1	1 200	VDC	10 s
	U T2			
Current	In eff	25	Arms	10 kHz
Slope of Voltage Variation	du/dt	40	V/ μs	
Serial Resistance	Rs	4	mOhms	10 kHz
Dielectric Losses	tg δ 0	1.5×10^{-4}		10 kHz
Total Losses	tg δ	$< 5 \times 10^{-4}$	1V, 10 kHz	
Operational Temperature Range		-30 ... +85	$^{\circ}\text{C}$	
Expected Lifetime	Lop	50 000	h	Un DC, 70 $^{\circ}\text{C}$
Dimensions	Symbol		Unit	Conditions
Diameter	\varnothing D	46	mm	
Length	L	55	mm	± 2 mm
Terminals	\varnothing	1	mm	
Entraxe	X	47.5	mm	
	Y	22.5	mm	
	M1			
	MC			
	Modification	Date	Visa émetteur	

Condensateurs CH 1400 Yverdon, Switzerland
 Kondensatoren Tel.: ++41 24 445 66 88
 Capacitors Fax: ++41 24 445 66 89

Leclanché
 Capacitors
A FISHER & SONNET COMPANY

www.Lcap.ch
 26.06.2000

capinfo@Lcap.ch
 PPM5277.XLS