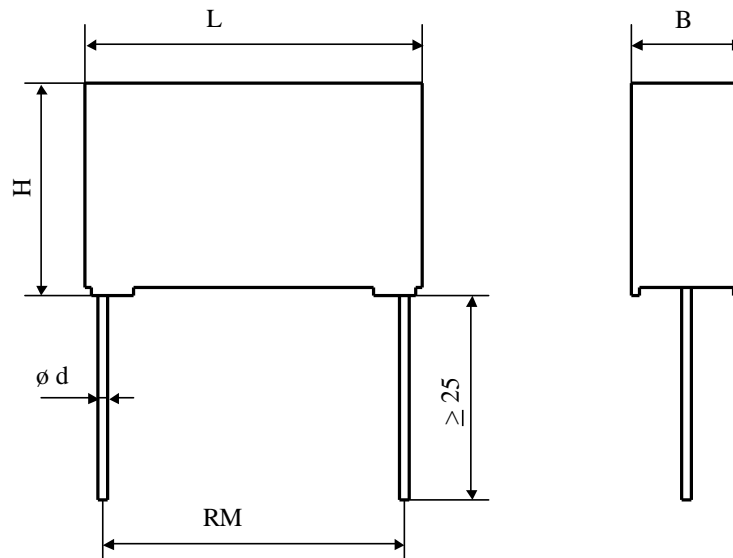


#5841

METALLIZED POLYPROPYLENE CAPACITORS

PPM 25-2.2 gs K



Dielectric of metallized polypropylene

Self-extinguishing plastic housing / Epoxy resin sealing UL-V0

Parameter	Symbol		Value	Unit	Condition
Capacitance	C		2.2	μF	1 V / 1 kHz
Tolerance			± 10	%	
Rated voltage	Un DC		250	VDC	
Rated voltage	Un AC		160	VAC	50 Hz to 300 Hz
slope of voltage variation	du/dt max.		60	V/μsec	max. repetitive
Repetitive surge current	I cr. max		132	A	
RMS current	I RMS max.		5	Aeff	10 kHz to 100 kHz
Tangent delta	tgδ		4	10 <sup>-4</sup>	1 V / 1 kHz
Equivalent serie resistance	ESR		≤ 5.5	mΩ	1 V / 10 kHz
Stray inductance	ESL		≤ 30	nH	
Insulation resistance	Ri		> 13700	MΩ	100 VDC - 1 min
Test voltage between terminals	U T1		400	VDC	10 s.
Climatic category			55/85/56		
Dimension	Symbol			Unit	Conditions
Width	B		16	mm	
Height	H		26	mm	
Length	L		31.5	mm	
Terminals					
Axial tinned wire	d		ø 1.0 x 25	mm	
	RM		27.94 ± 0.5	mm	
	M1				
	M0				
	Modification	Date	Visa émetteur		

Condensateurs CH 1400 Yverdon-les-Bains  
 Kondensatoren Tel.: ++41 24 445 66 88  
 Capacitors Fax: ++41 24 445 66 89

**Le Laniché**  
**Capacitors**  
A FISCHER & TAUERSCHE COMPANY

HJJ

24.08.2009

faisab5841.XLS