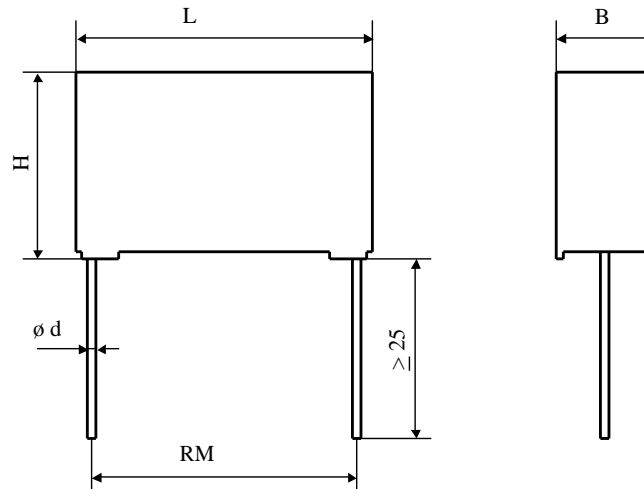


#5982

METALLIZED POLYPROPYLENE CAPACITORS

PPM 100-033 gs J

Preliminary
data sheet

Dielectric of metallized polypropylene

Self-extinguishing plastic housing / Epoxy resin sealing UL-V0

Parameter	Symbol		Value	Unit	Condition
Capacitance	C		0.33	µF	1 V / 1 kHz
Tolerance			± 5	%	
Rated voltage	Un DC		1000	VDC	85°C
Rated voltage	Un AC		600	VAC	50 Hz to 1.5 kHz
Rated temperature			85	°C	
slope of voltage variation	du/dt max.		730	V/µsec	max. repetitive
Repetitive surge current	I cr. max		241	A	
RMS current	I RMS max.	85°C	5	Aeff	12 kHz to 250 kHz
Tangent delta	tgδ		3	10 ⁻⁴	1 V / 1 kHz
Equivalent serie resistance	ESR		< 21	mΩ	10 kHz
Stray inductance	ESL		≤ 20	nH	
Insulation resistance	Ri		> 100'000	MΩ	300 VDC - 1 min
Test voltage between terminals	U T1		1600	VDC	10 s.
Climatic category			40105/56		
Dimension	Symbol			Unit	Conditions
Width	B		13	mm	
Height	H		24	mm	
Length	L		41	mm	
Terminals					
Axial tinned wire	d		1	mm	
	RM		37.5 ± 0.5	mm	
	M1				
	M0				
	Modification	Date	Visa émetteur		

Condensateurs CH 1400 Yverdon, Switzerland
 Kondensatoren Tel.: ++41 24 445 66 88
 Capacitors Fax: ++41 24 445 66 89

Lecdanché
Capacitors
A FISCHER & TALSCHER COMPANY

HJJ

www.Lcap.ch
 18.11.2010

capinfo@Lcap.ch
 faisab5982.XLS