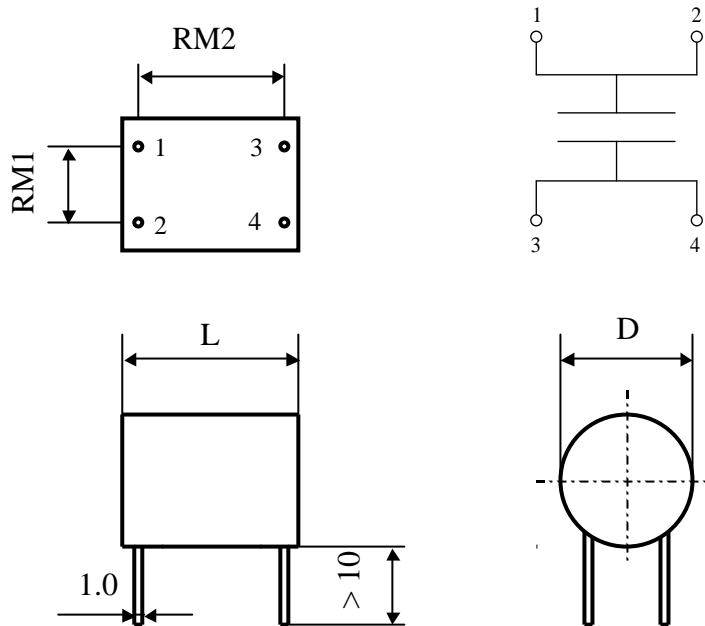


#5931

Power Electronics Capacitors

MKT-4 8-40.0 a K



Dielectric : metallized polyester
Polyester wrapped UL 510
V0

Epoxy resin sealing UL 94-

Parameter	Symbol		Value	Unit	Condition
Capacitance	C		40	μF	1 V / 1 kHz
Tolerance			± 10	%	
Rated voltage	Un DC		80	VDC	100 °C
RMS current	I RMS max.		10	Aeff	200 kHz
slope of voltage variation	du/dt max.		12	V/ μsec	max. repetitive
Repetitive surge current	I cr. max		480	A	
Tangent delta	tg δ		≤ 80	1C^4	1 V / 1 kHz
Equivalent serie resistance	ESR		≤ 5.0	m Ω	200 kHz
Stray inductance	ESL		≤ 15	nH	
Insulation resistance	Ri		> 250	M Ω	10 VDC - 1 min
Test voltage between terminals	U T1		128	VDC	10 s
Operating temperature			- 55 / + 125 °C		
Dimension	Symbol			Unit	Conditions
Diameter	D		27	mm	
Length	L		33	mm	
Terminals					
Radial tinned wire	\emptyset		1	mm	
RM1			10.16 ± 0.5	mm	
RM2			27.94 ± 0.5	mm	
	M1				
	M0				
	Modification	Date	Visa émetteur		

Condensateurs CH 1400 Yverdon, Switzerland
Kondensatoren Tel.: ++41 24 445 66 88
Capacitors Fax: ++41 24 445 66 89

Leclanché
Capacitors
A FISCHER & TALSCHER COMPANY

HJJ

www.Lcap.ch
26.05.2010

capinfo@Lcap.ch
faisab5931.XLS