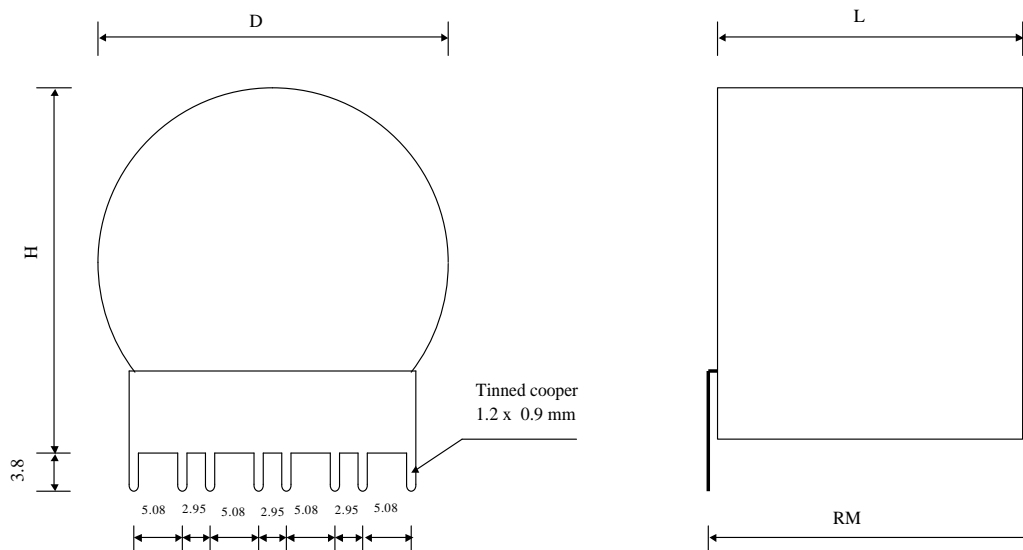


#5919

Power Electronics Capacitors

MKTCI 8-60.0 K



Dielectric of metallized polyester

Polyester wrapped / Epoxy resin sealing

Terminals for connection to Printed Circuit Board

Parameter	Symbol		Value	Unit	Condition
Capacitance	C		60	$\mu\text{F}$	1 V / 1 kHz
Tolerance			$\pm 10$	%	
Rated voltage	Un DC		80	VDC	100°C
RMS current	I RMS max.		15	Aeff	200 kHz
slope of voltage variation	du/dt max.		10	V/ $\mu\text{sec}$	max. repetitive
Repetitive surge current	I cr. max		600	A	
Tangent delta	tg $\delta$		$\leq 70$	$10^{-4}$	1 kHz
Equivalent series resistance	ESR		$\leq 4$	m $\Omega$	200 kHz
Stray inductance	ESL		$\leq 18$	nH	
Insulation resistance	Ri		$> 166$	M $\Omega$	10 VDC - 1 min
Test voltage between terminals	U T1		160	VDC	10 s
Operating temperature			- 55 / + 125 °C		
Dimension	Symbol			Unit	Conditions
Diameter	D max		37.5	mm	
Length	L max		32.5	mm	
Height	H max		38	mm	
Terminals					
Tinned cooper	( 8 x )		1.2 x 0.9	mm	
RM			36.5 $\pm$ 0.5	mm	
	M1				
	M0	27.04.2010	HJJ		
	Modification	Date	Visa émetteur		

Condensateurs CH 1400 Yverdon, Switzerland  
 Kondensatoren Tel.: ++41 24 445 66 88  
 Capacitors Fax: ++41 24 445 66 89

**Le lanché**  
**Capacitors**  
A FINDER & TROSCHE COMPANY

HJJ

www.Lcap.ch  
 20.04.2010

capinfo@Lcap.ch  
 faisab5919.XLS